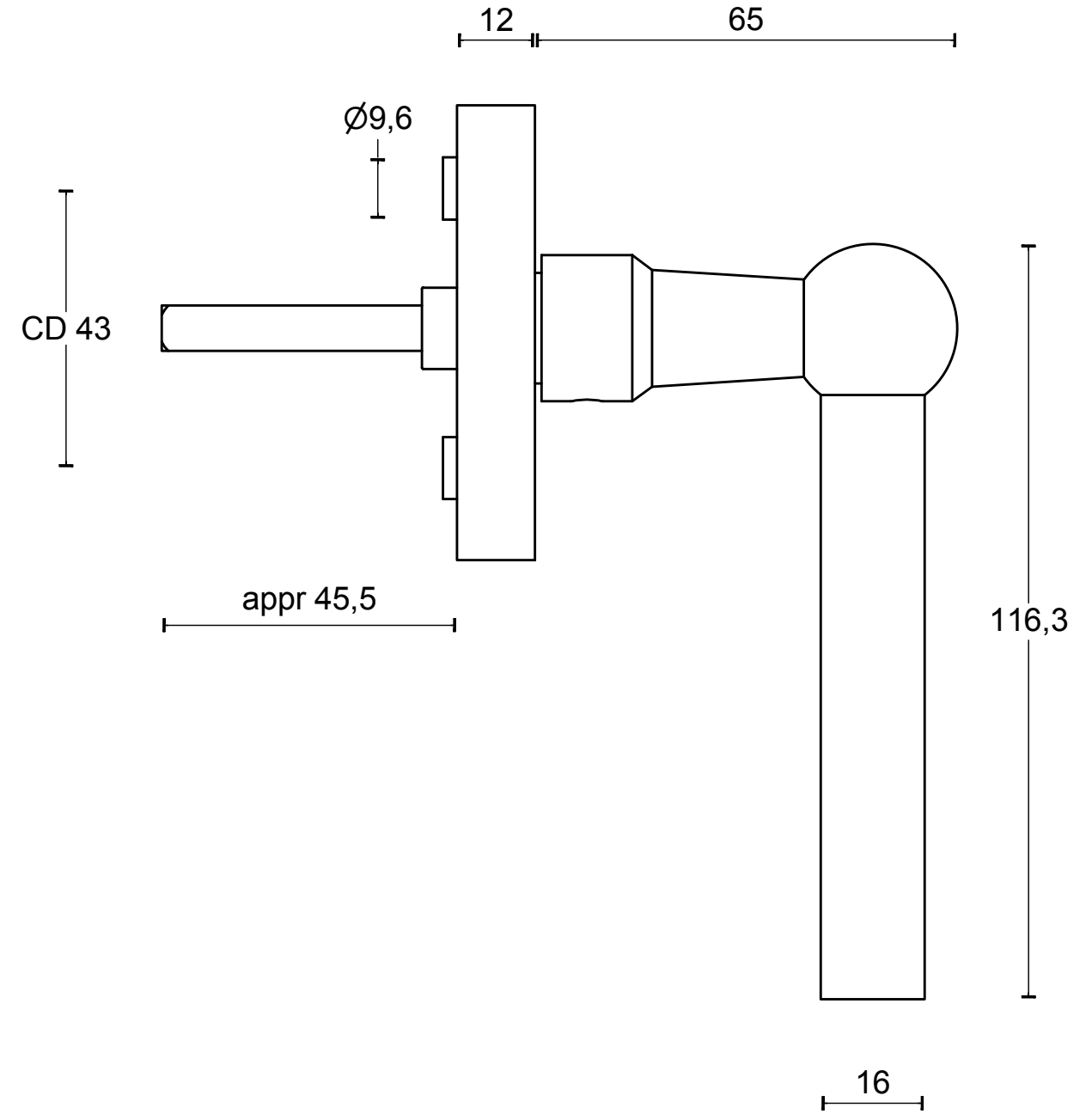
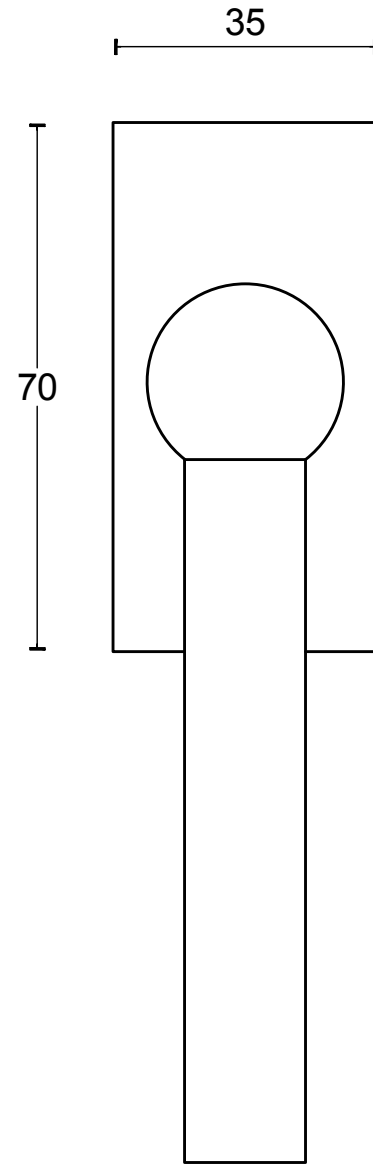
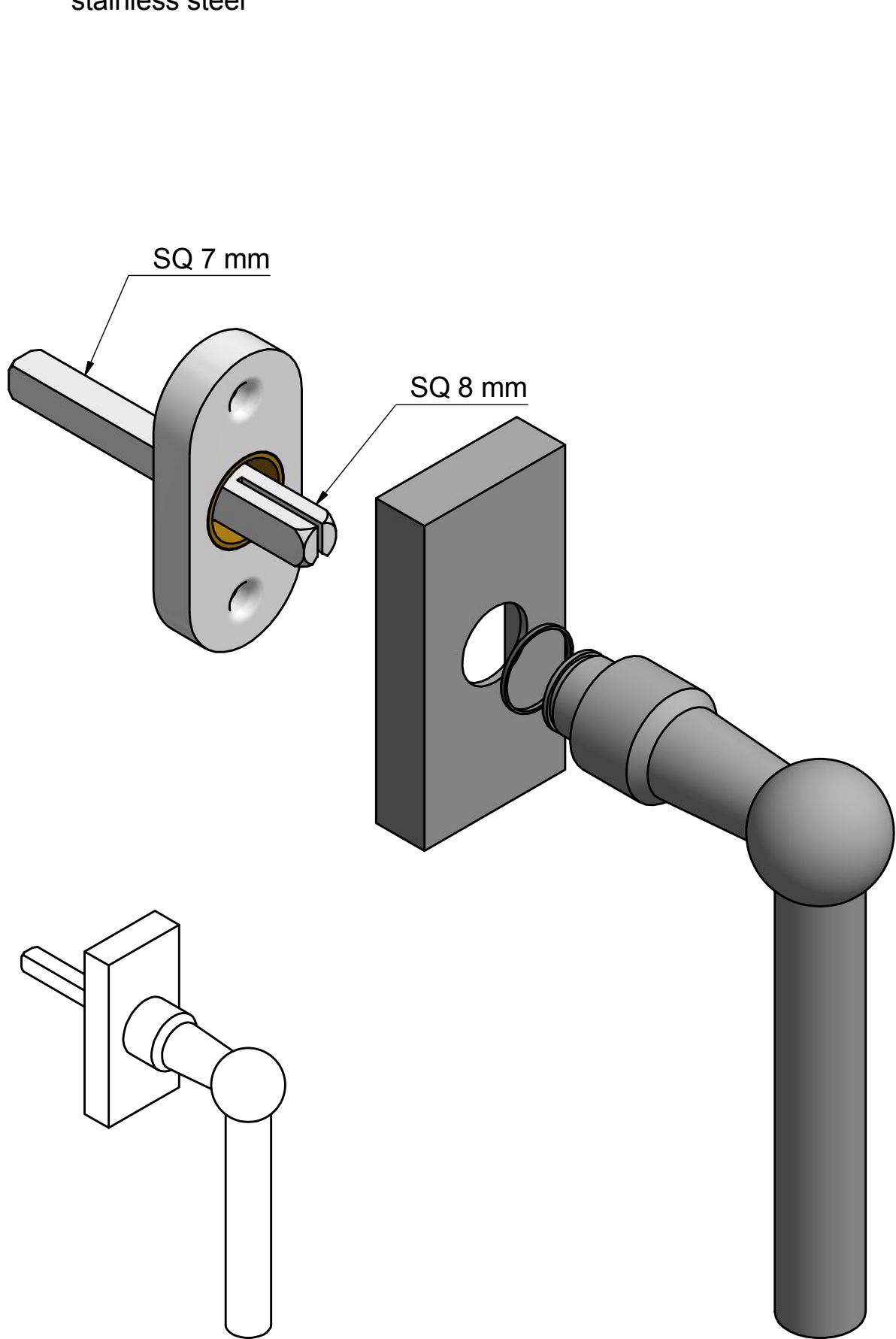


FVL110-DK

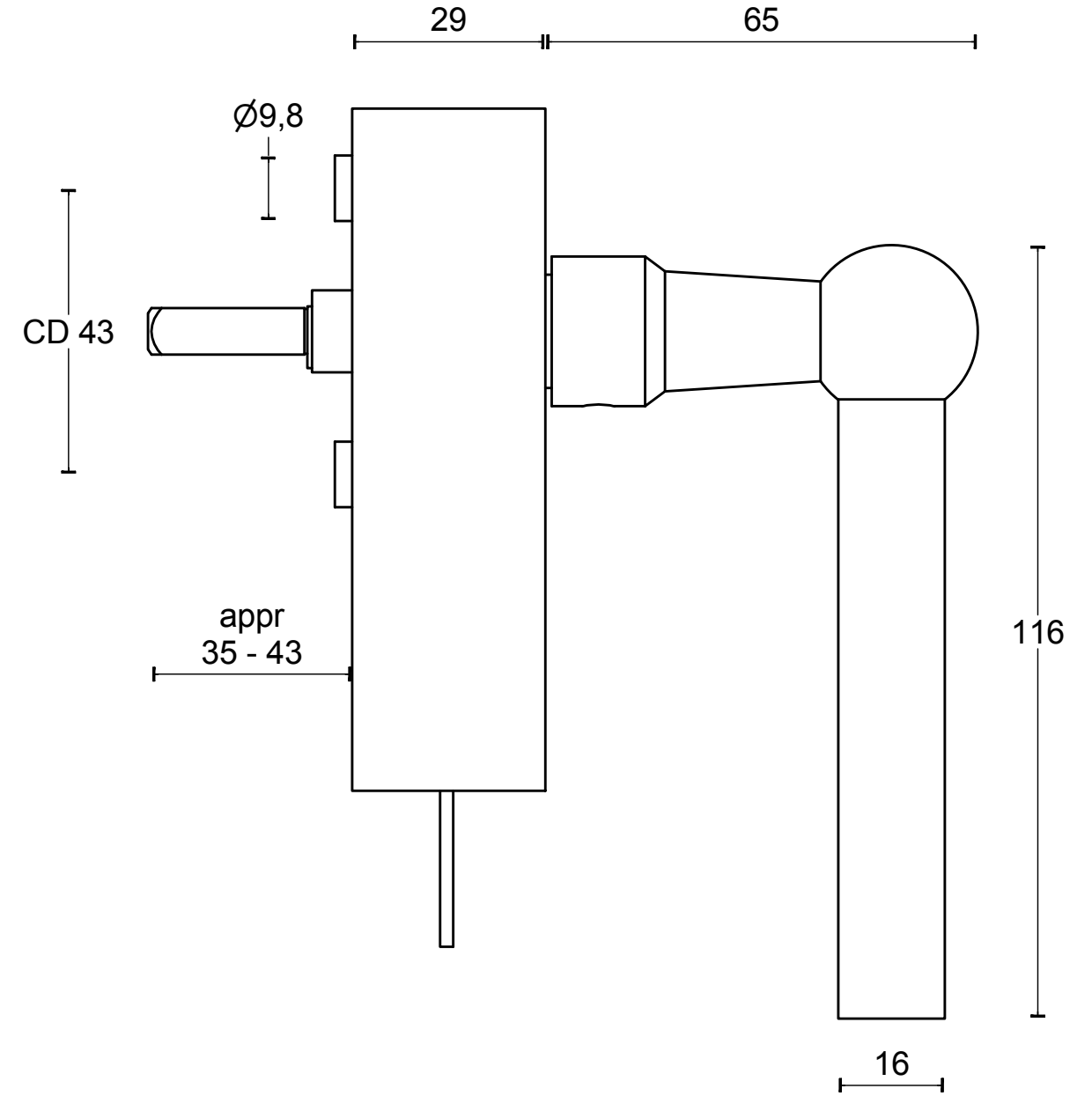
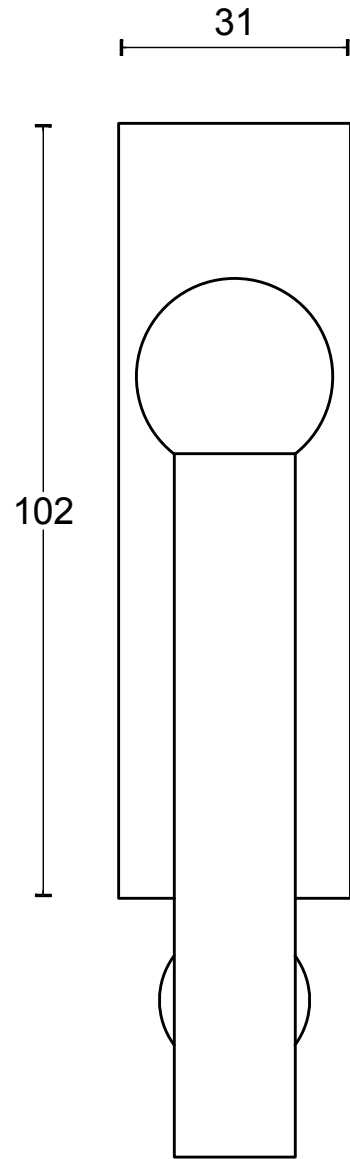
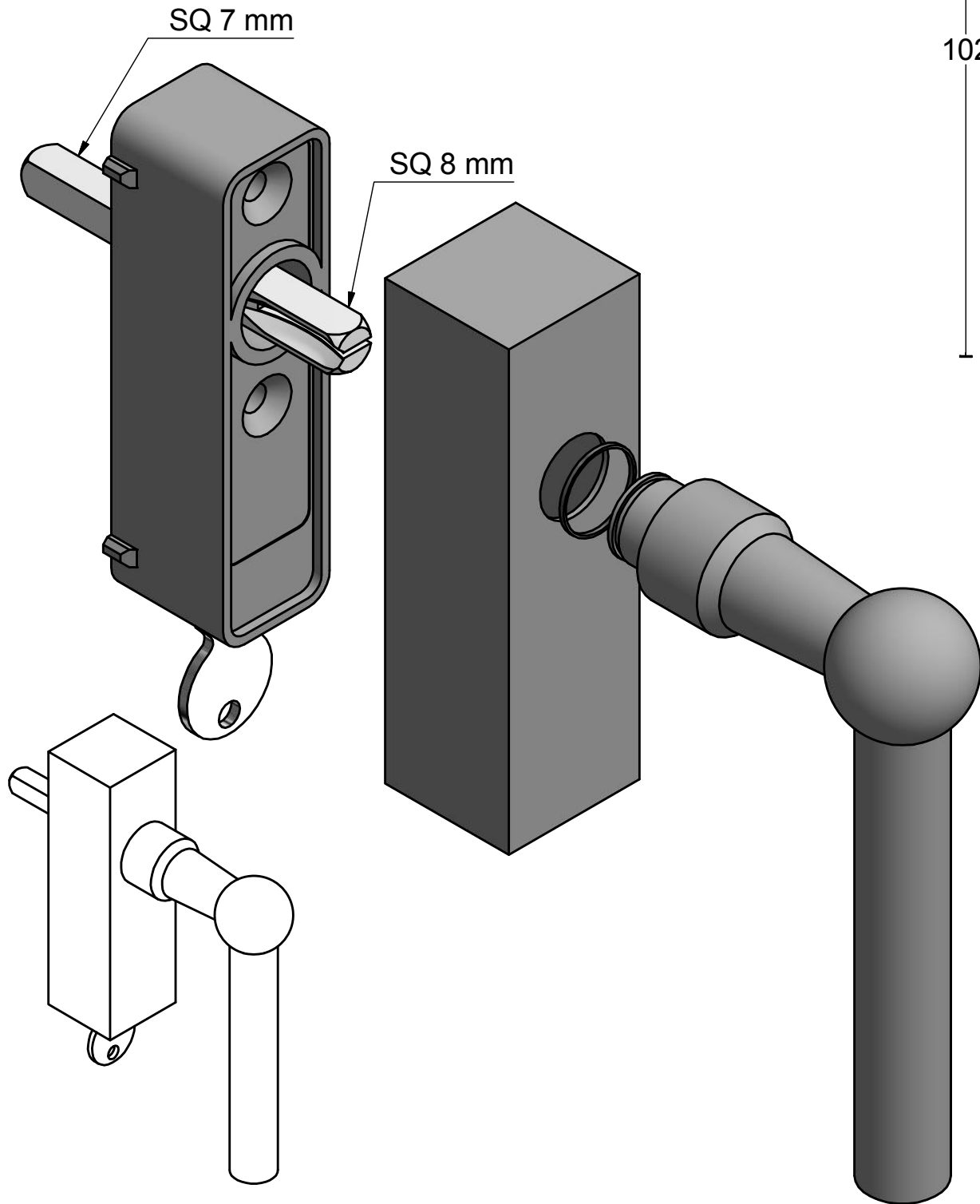
non-locking tilt and turn
window handle
stainless steel



| | | | |
|--|------------------------------|--------------------------|------------------|
| FORMANI® | | Part number: | |
| | | Description: | |
| Doc no.: 1503D060 FVL110-DK V01.dwg | Drawn by: Christian Brimbois | Creation date: 23-8-2017 | FVL110-DK |
| Distributed by Two Tease Architectural Hardware info@twotease.com.au www.twotease.com.au | | | A3 |

FVL110-DKLOCK

locking tilt and turn
window handle
stainless steel



| | | | |
|--|------------------------------|-------------------------|----------------------|
| FORMANI® | | Part number: | |
| | | Description: | |
| Doc no.: 1503D067 FVL110-DKLOCK V01.dwg | Drawn by: Christian Brimbois | Creation date: 1-9-2017 | FVL110-DKLOCK |
| Distributed by Two Tease Architectural Hardware info@twotease.com.au www.twotease.com.au | | | A3 |