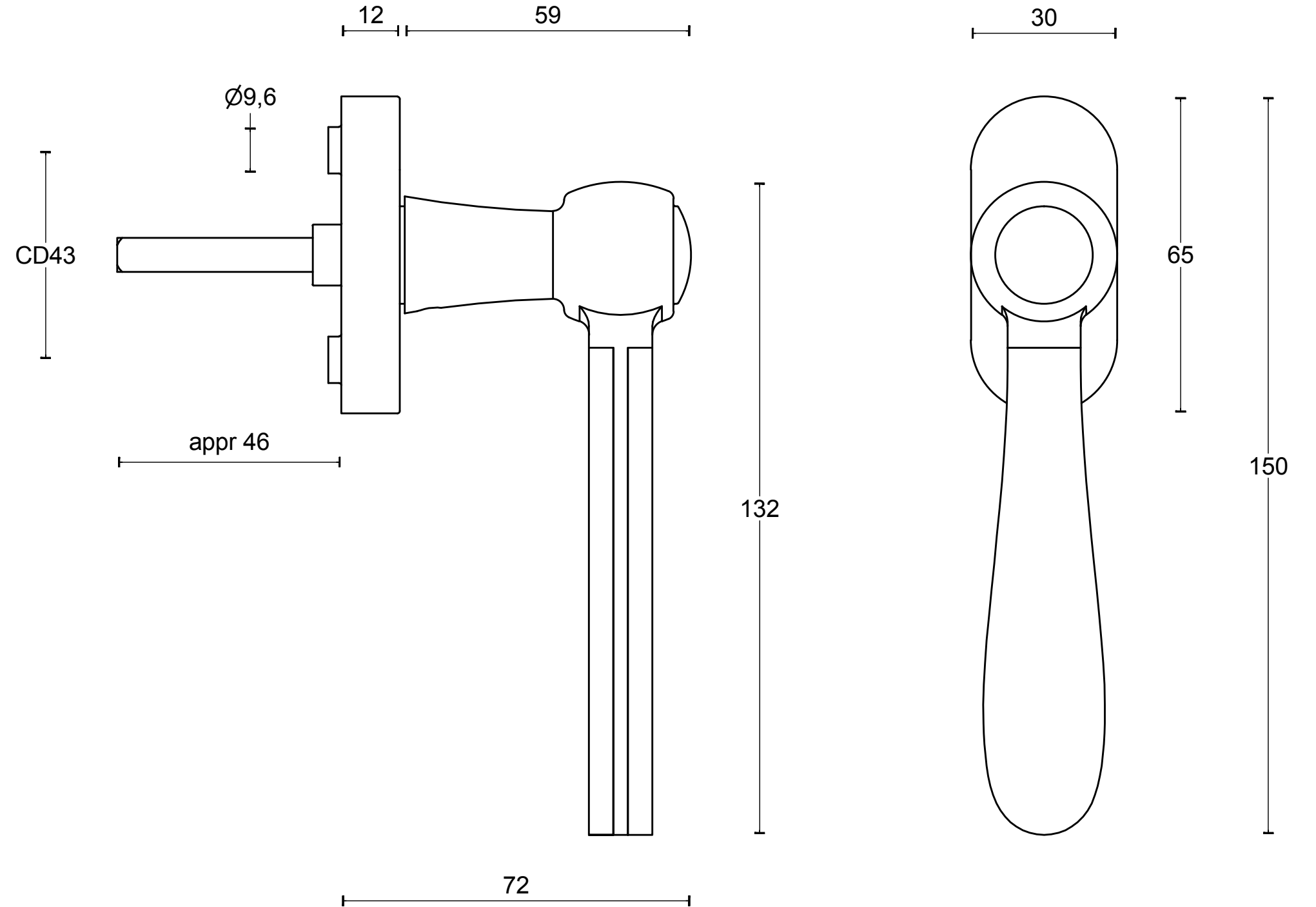
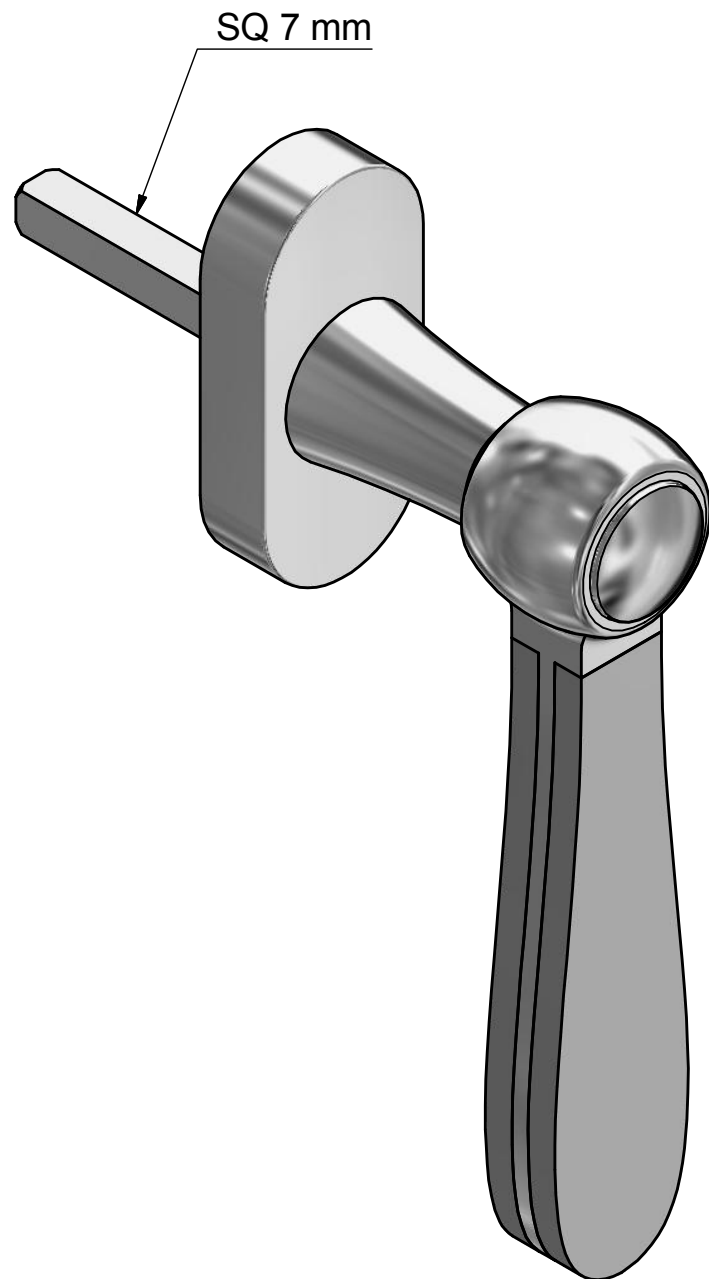


LZ100MA-DK-O

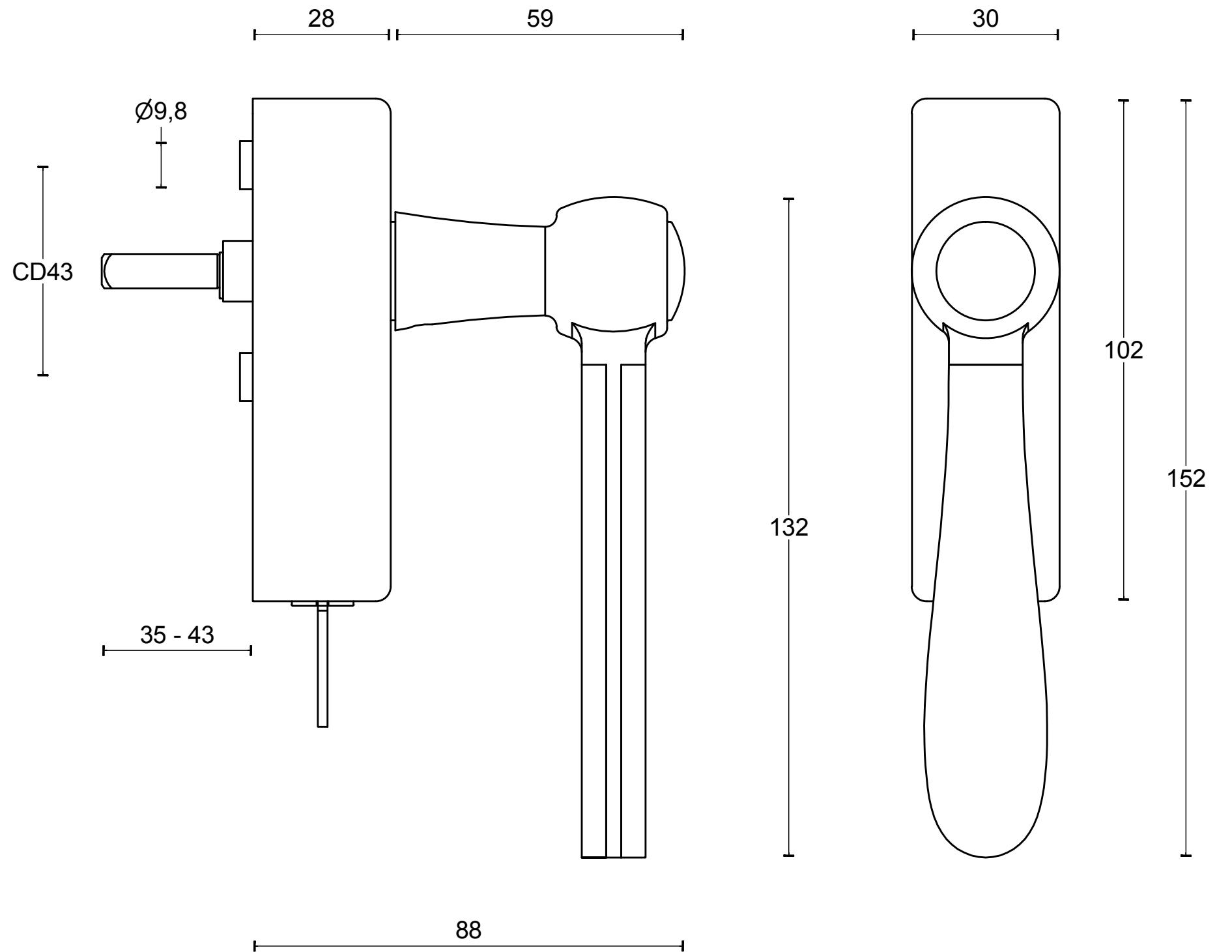
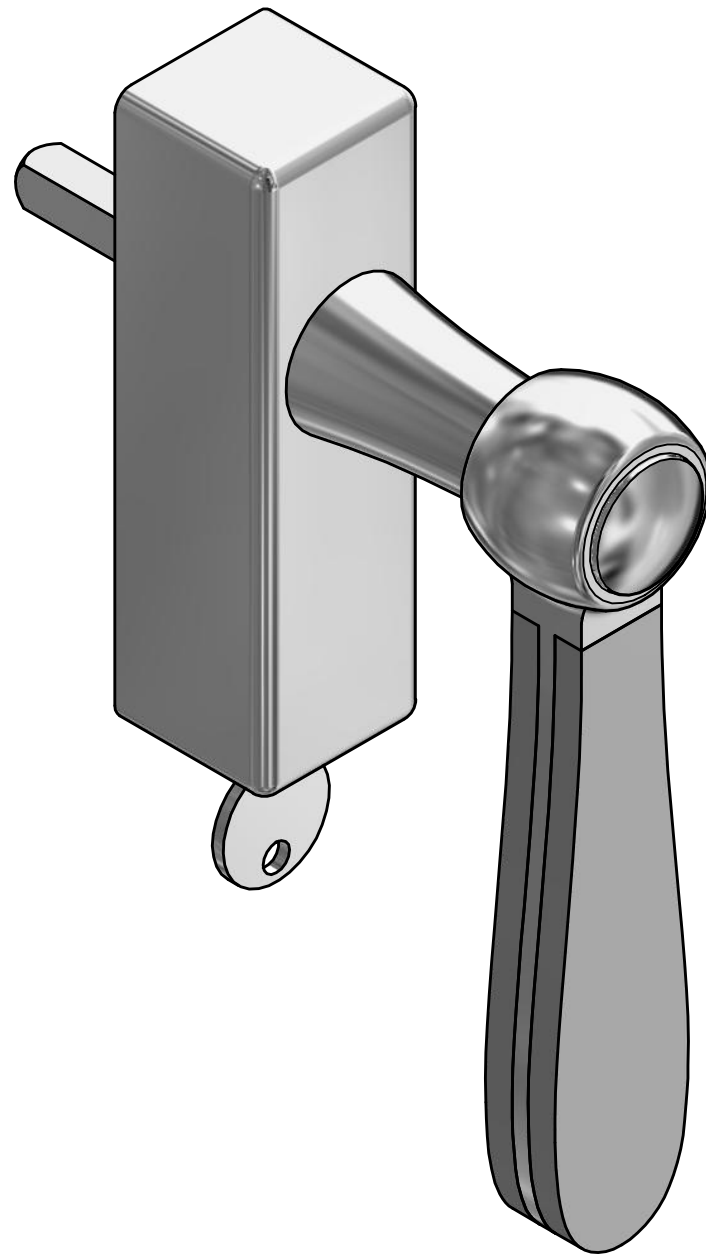
non-locking tilt and turn
window handle
stainless steel or brass



FORMANI[®]		Part number:	
		Description:	
Doc no.: 3403D001 LZ100MA-DK-O V01.dwg	Drawn by: Christian Brimbois	Creation date: 2-3-2017	LZ100MA-DK-O
Distributed by Two Tease Architectural Hardware info@twotease.com.au www.twotease.com.au			A3

LZ100MA-DKLOCK-O

locking tilt and turn
window handle
stainless steel or brass



FORMANI®		Part number:	
		Description: LZ100MA-DKLOCK-O	
Doc no.: 3403D020 LZ100MA-DKLOCK-O V01.dwg	Drawn by: Christian Brimbois	Creation date: 2-3-2017	Format: A3
Distributed by Two Tease Architectural Hardware info@twotease.com.au www.twotease.com.au			