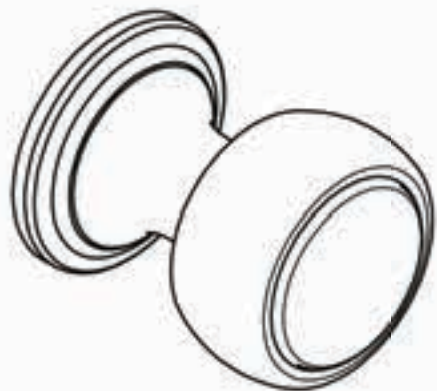
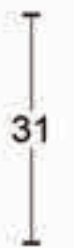
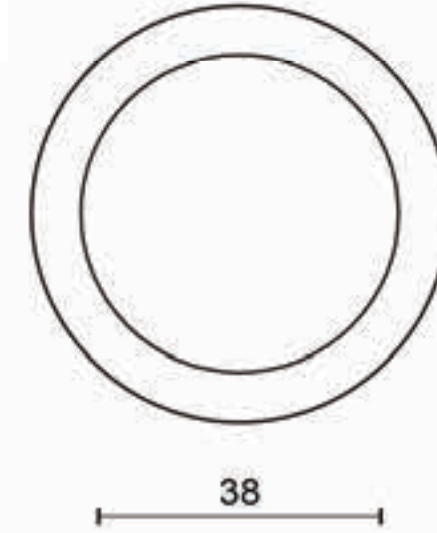
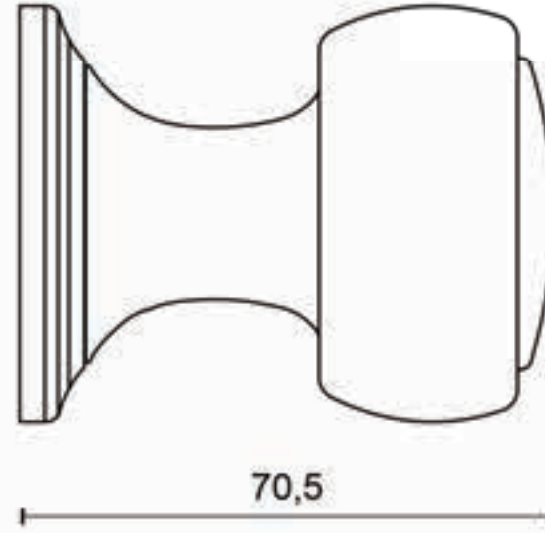


All information on the drawing is the property of Formani Holland B.V. and may not be copied, in any way whatsoever without obtaining the permission in writing from Formani Holland B.V.

LZ200PD

solid unsprung knob to
operate on rose
with metal sub-rose

stainless steel or brass



<p>FORMANI®</p>		Part number:	
		Description: LZ200PD	
Doc no.: 3402K001 5 LZ200PD V01.dwg		Format: A3	
Drawn by: Christian Brimbols	Creation date: 29-8-2017		
FORMANI HOLLAND B.V.		Formani FROM TWO TEASE ARCHITECTURAL HARDWARE www.twotease.com.au info@twotease.com.au	