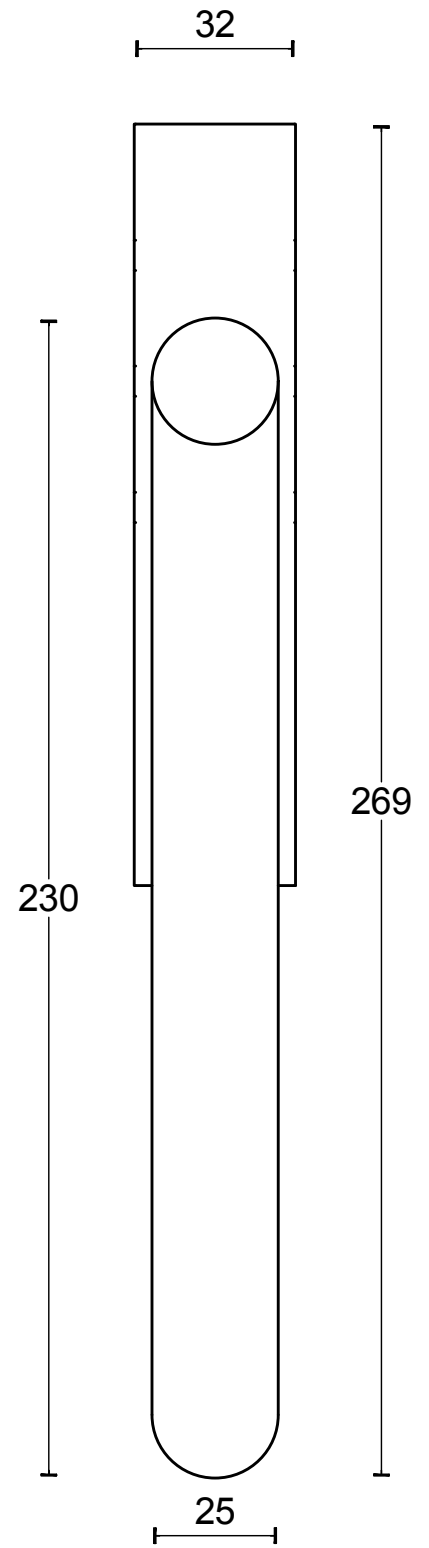
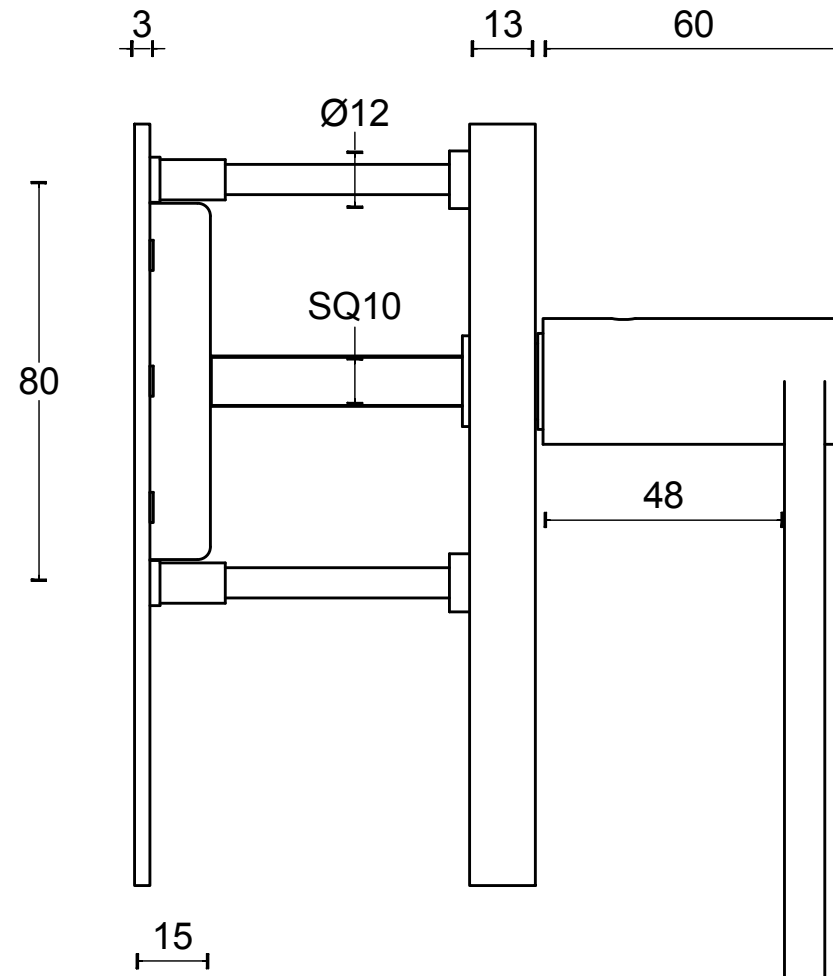
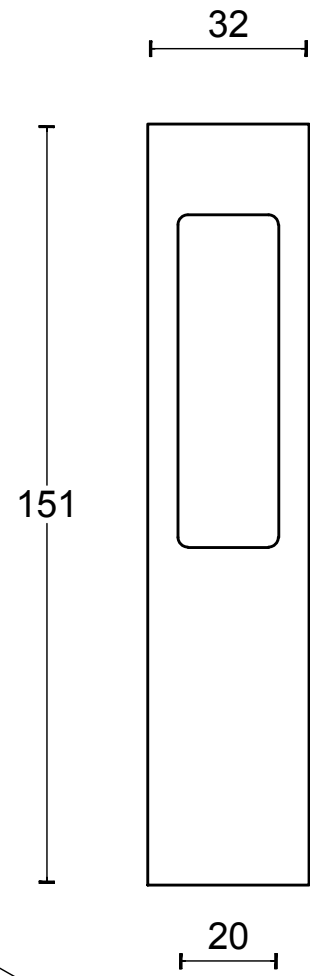
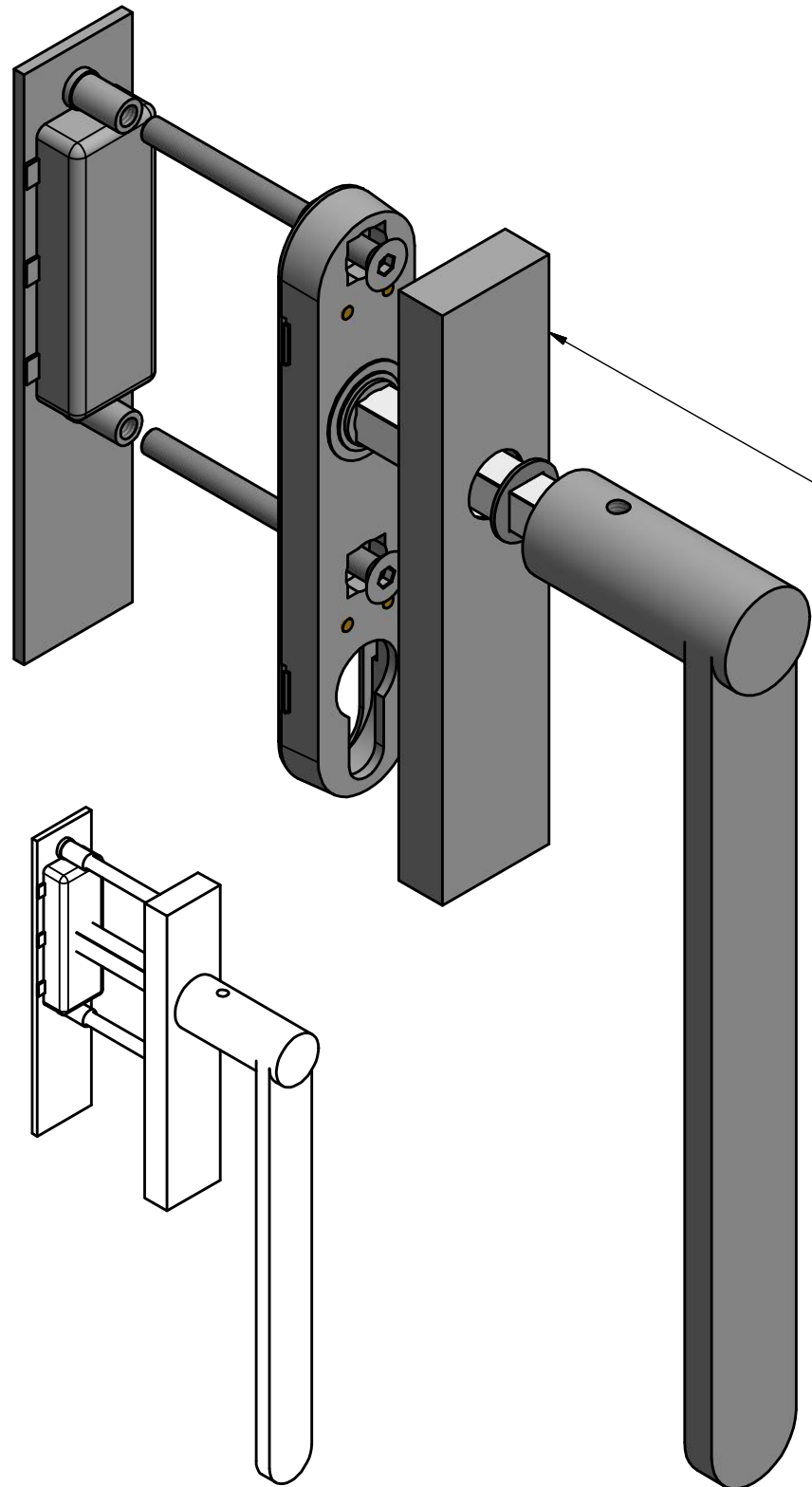
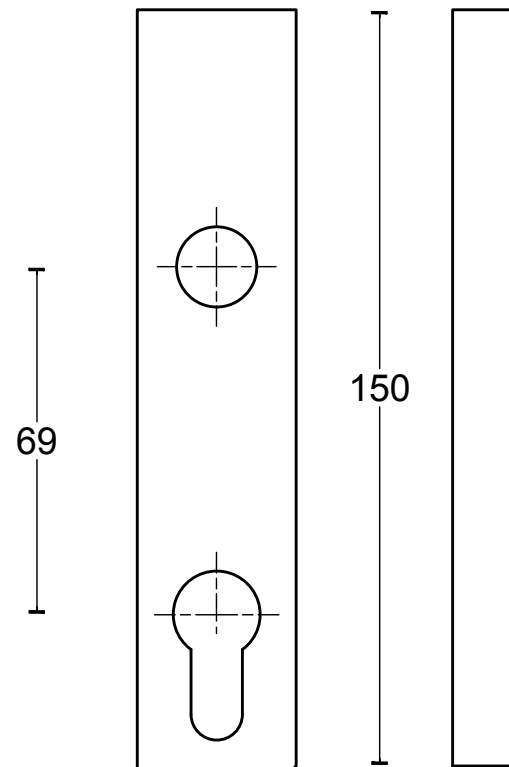


TENSE BB231

single solid internal lift-up
sliding door handle with
external flush pull
stainless steel



option:



TWO TEASE
ARCHITECTURAL HARDWARE

| | | | |
|--|------------------------------|----------------------|----------------|
| <h1>FORMANI®</h1> | | Part number: | |
| | | Description: | |
| Doc no.: | 3301Z002 TENSE BB231 V01.dwg | <h2>TENSE BB231</h2> | Format: |
| Drawn by: | Christian Brimbois | | Creation date: |
| Distributed by Two Tease Architectural Hardware info@twotease.com.au www.twotease.com.au | | <h1>A3</h1> | |