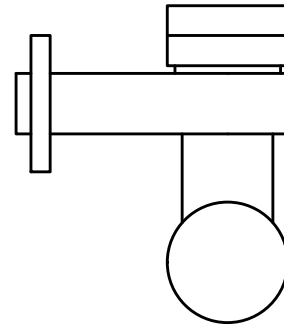


# PB-RB

casement fastener  
stainless steel

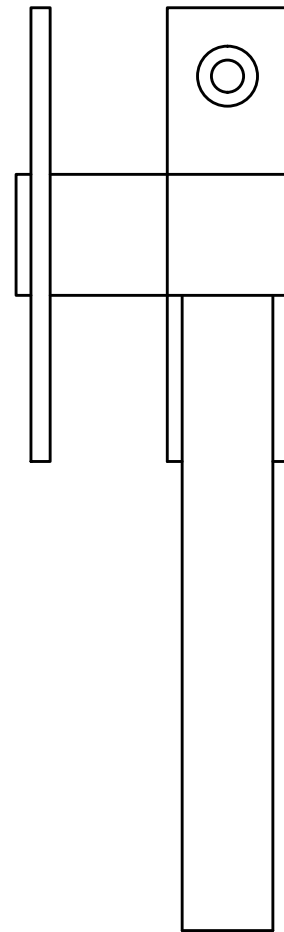
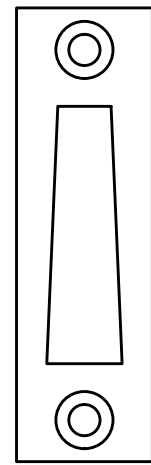


18

16

42

122



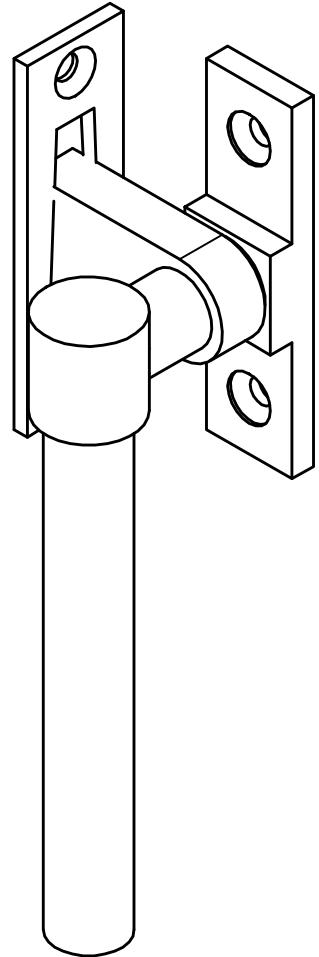
42

16

60

4

12



<h1>FORMANI®</h1>		Part number:	
		Description: <b>PB-RB</b>	
Doc no.: 2703R001 PB-RB V02.dwg	Drawn by: Christian Brimbois	Creation date: 22-3-2013	Format: <b>A3</b>
Distributed by Two Tease Architectural Hardware   info@twotease.com.au   www.twotease.com.au			