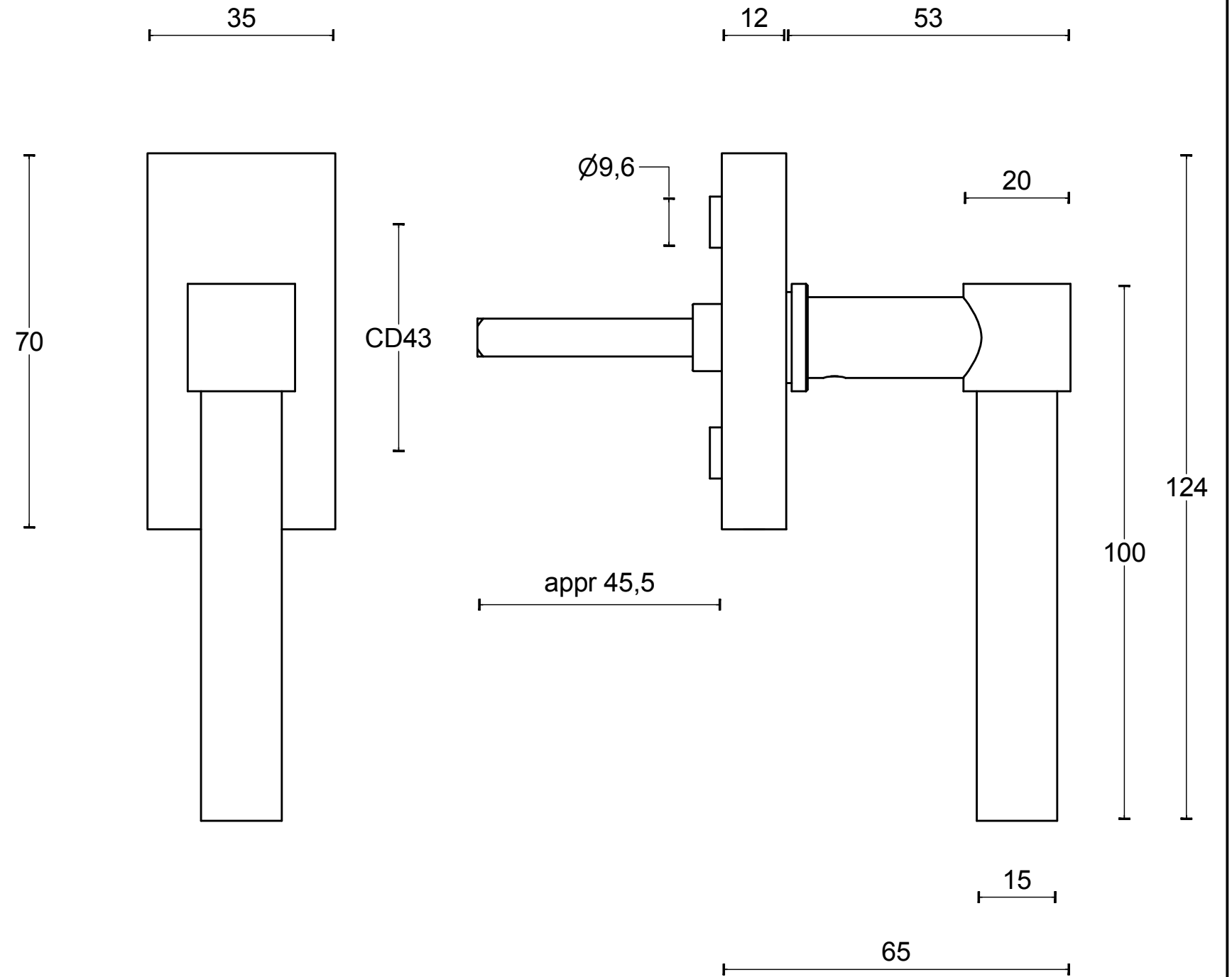
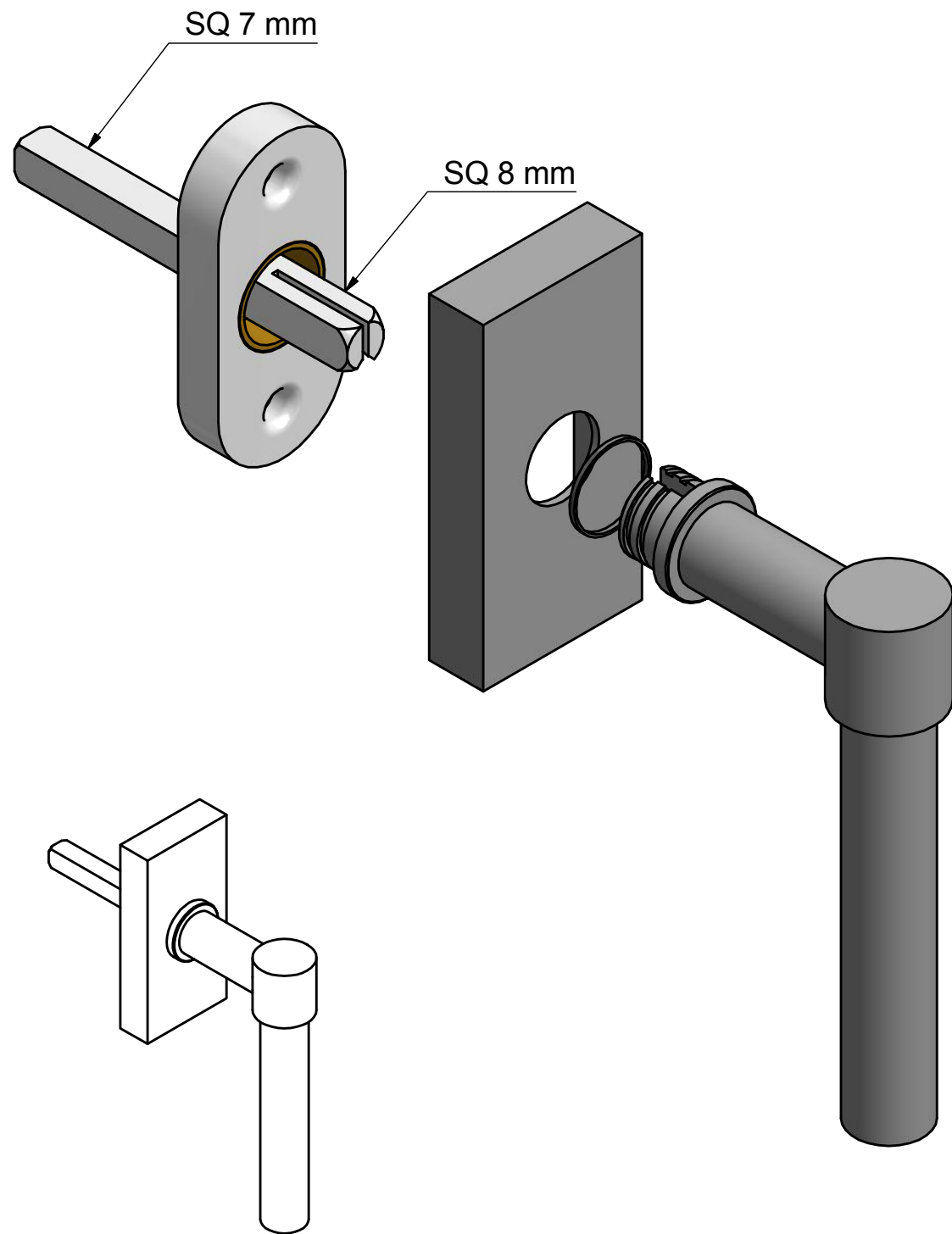


PBL15-DK

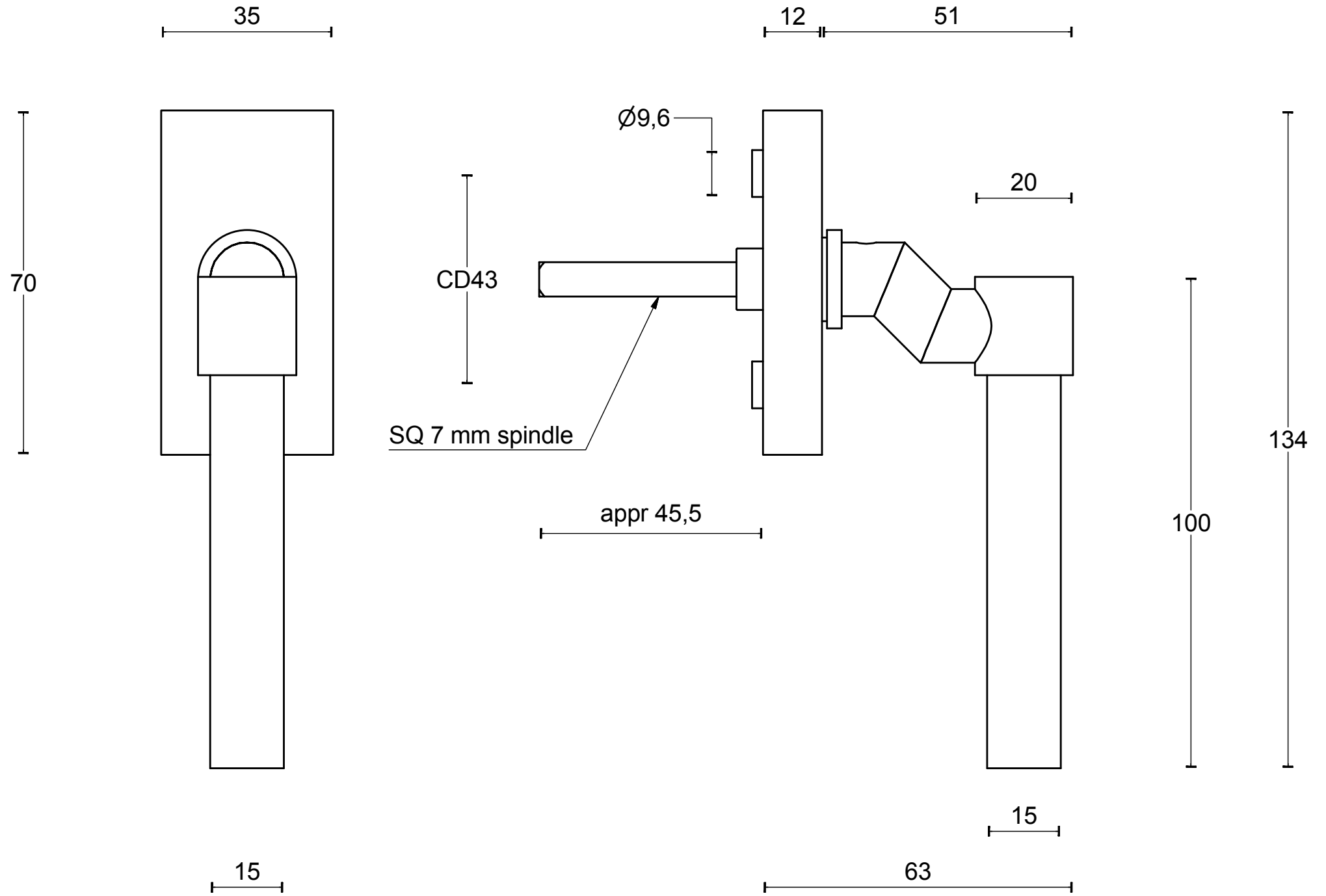
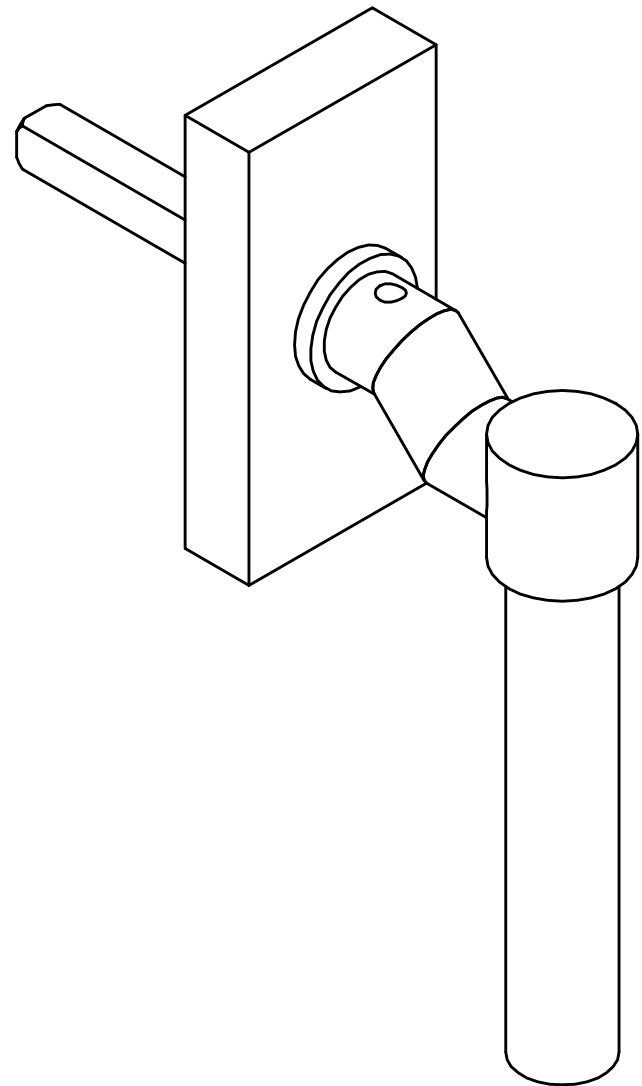
non-locking tilt and turn
window handle
stainless steel



FORMANI [®]		Part number:	
		Description:	
Doc no.:	2703D002 PBL15DK V02.dwg	PBL15-DK	Format:
Drawn by:	Christian Brimbois		Creation date:
Distributed by Two Tease Architectural Hardware inof@twotease.com.au www.twotease.com.au		A3	

PBL15F-DK

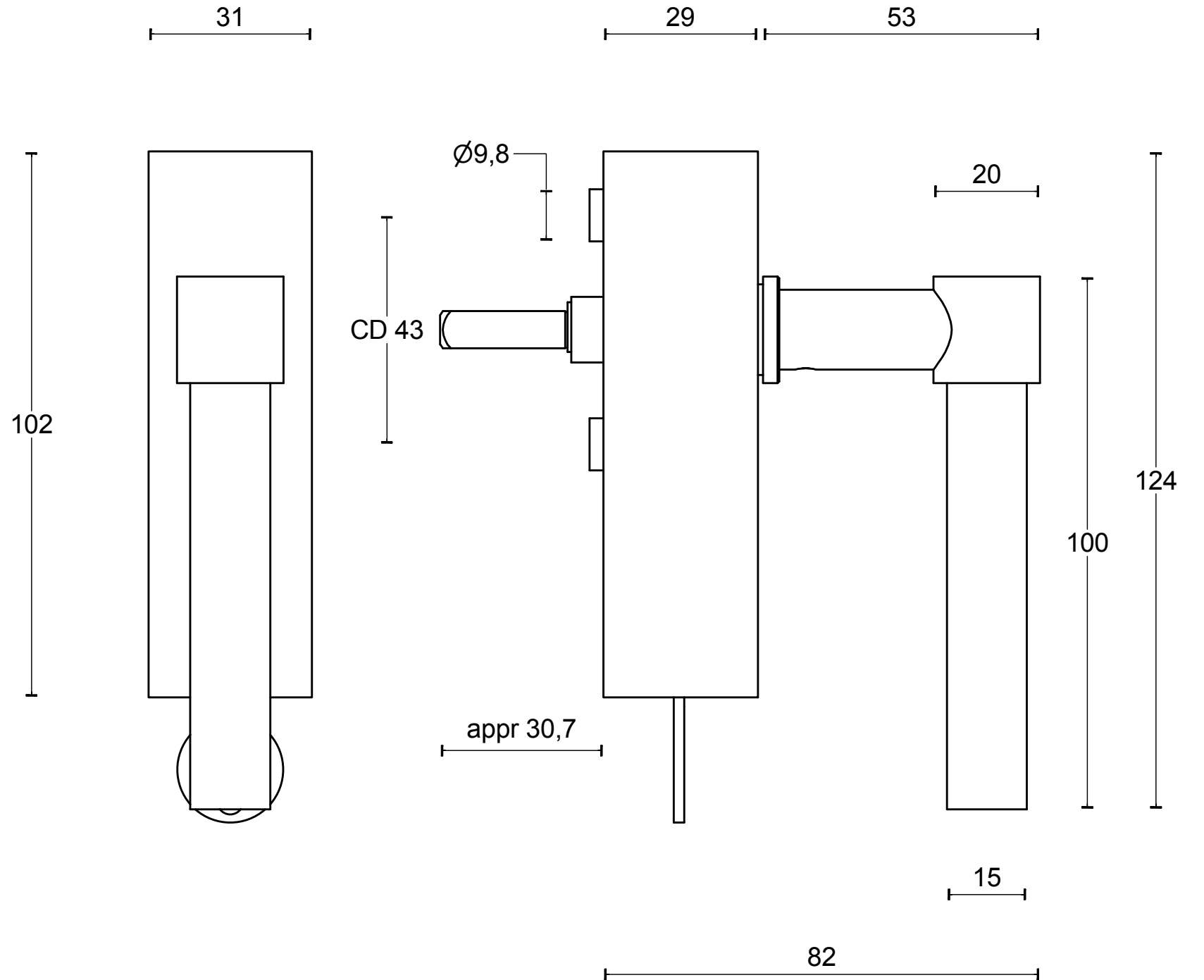
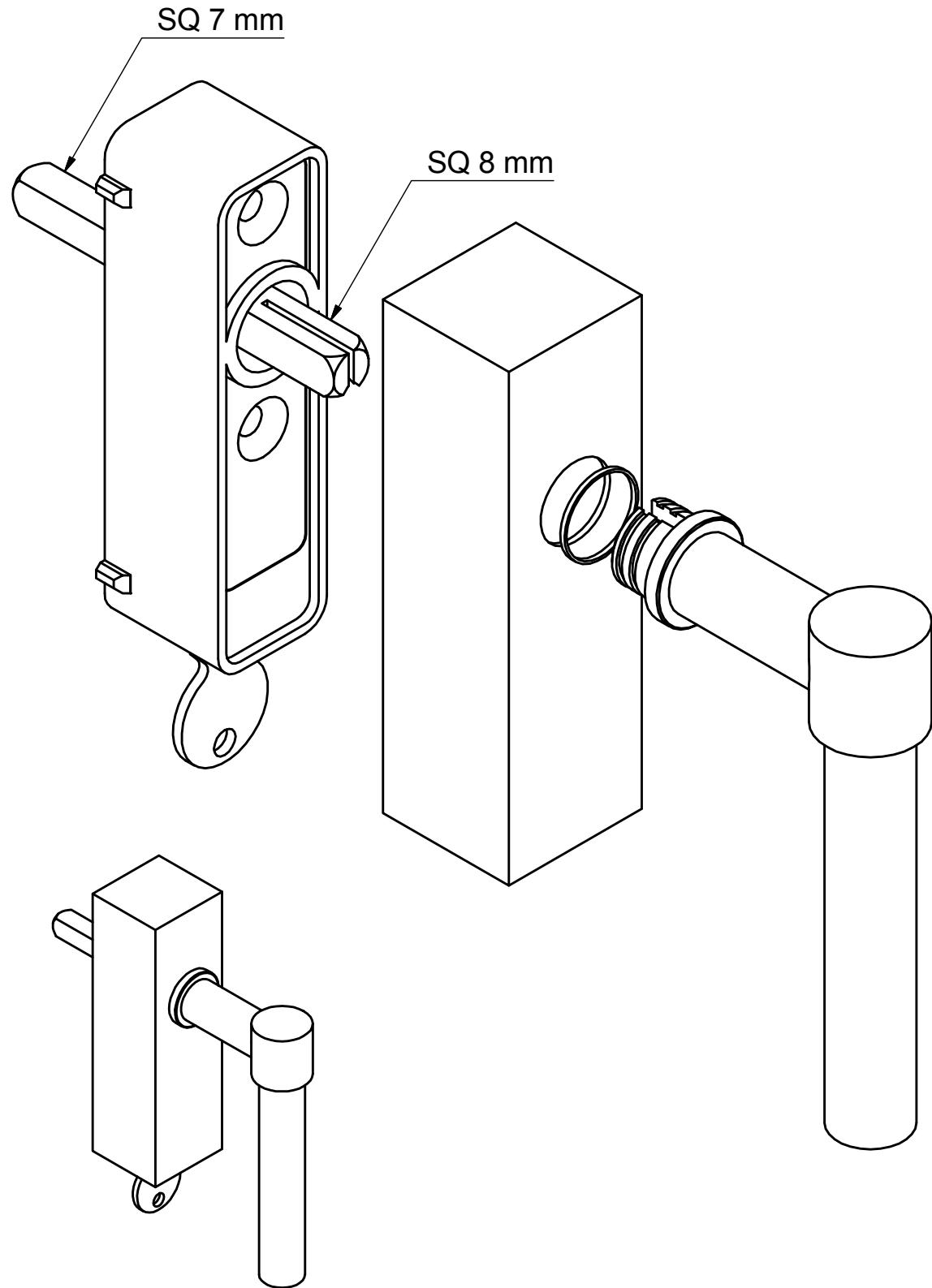
non-locking tilt and turn
window handle
stainless steel



FORMANI [®]		Part number:	
		Description:	
Doc no.:	2703D009 PBL15F DK V02.dwg	PBL15F-DK	Format:
Drawn by:	Christian		Creation date:
Distributed by Two Tease Architectural Hardware inof@twotease.com.au www.twotease.com.au		A3	

PBL15-DKLOCK

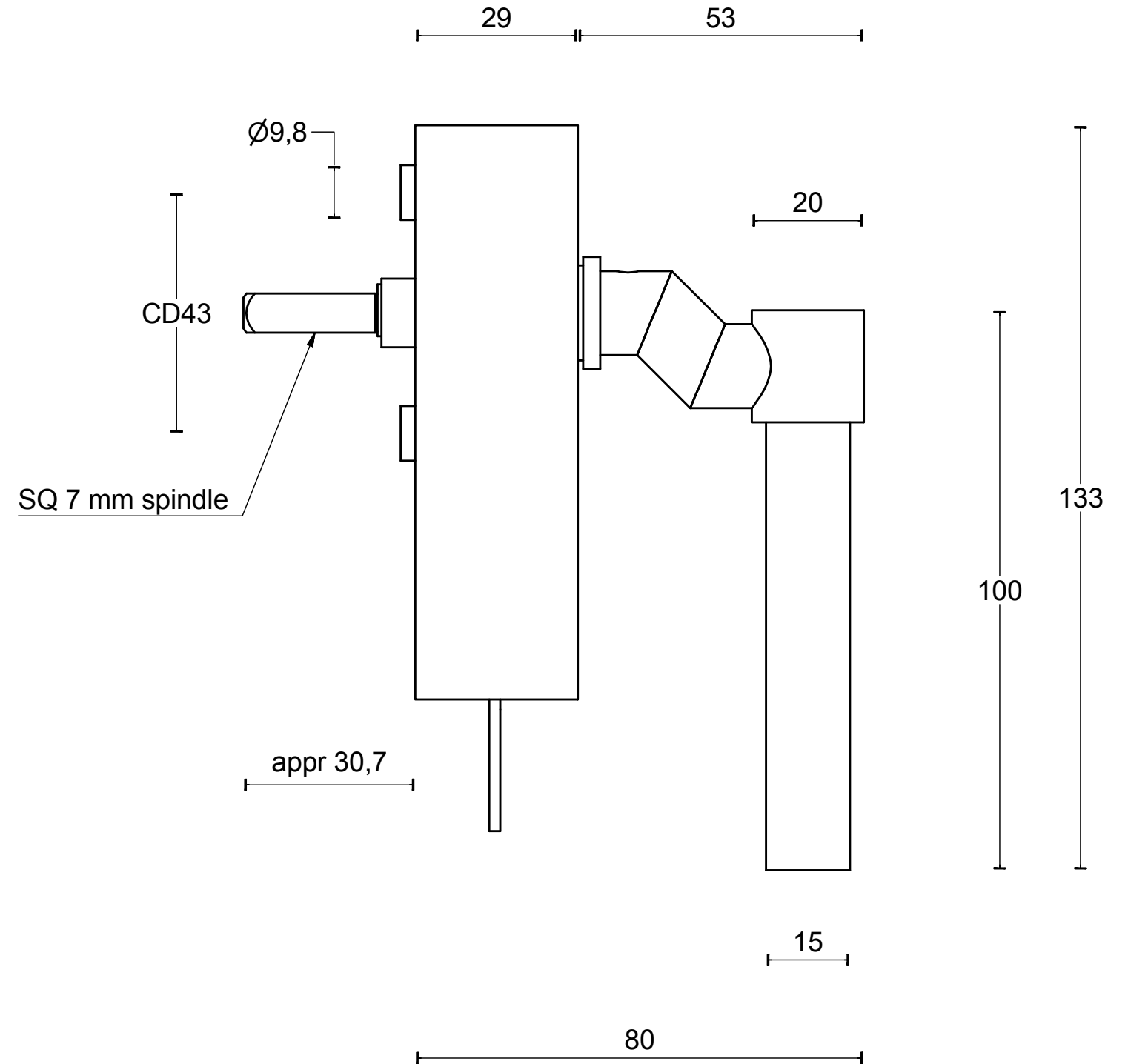
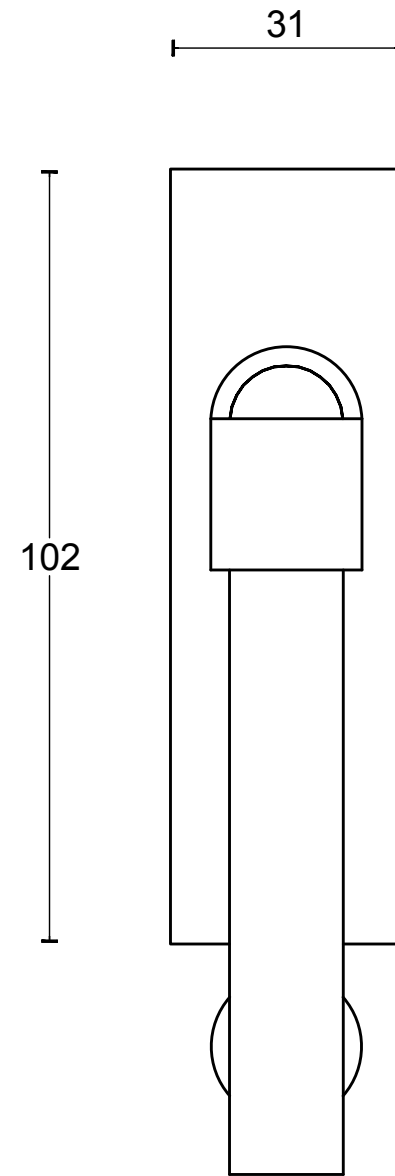
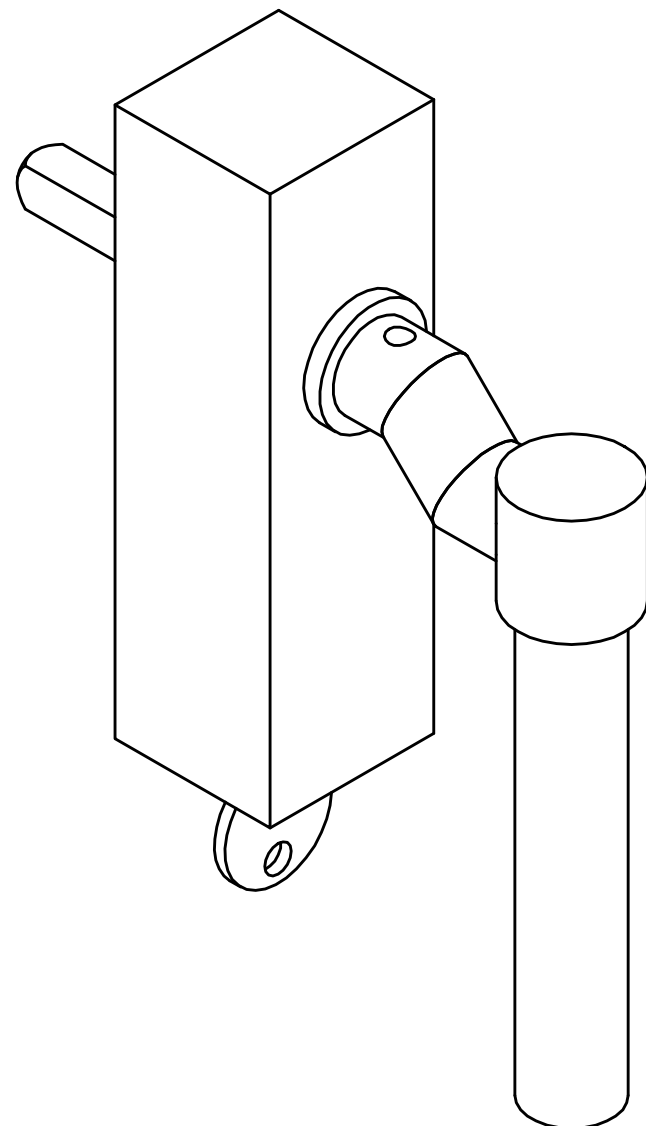
locking tilt and turn
window handle
stainless steel



FORMANI [®]		Part number:	
		Description:	
Doc no.:	2703D021 PBL15DKLOCK V01.dwg	PBL15-DKLOCK	Format:
Drawn by:	Christian Brimbois		Creation date:
Distributed by Two Tease Architectural Hardware inof@twotease.com.au www.twotease.com.au		A3	

PBL15F-DKLOCK

locking tilt and turn
window handle
stainless steel



FORMANI®		Part number:	
		Description:	
Doc no.: 2703D028 PBL15F DKLOCK V02.dwg	Creation date: 18-7-2012	PBL15F-DKLOCK	Format:
Drawn by: Christian			A3
Distributed by Two Tease Architectural Hardware inof@twotease.com.au www.twotease.com.au			