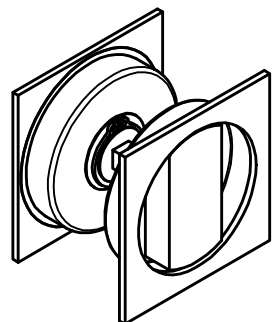
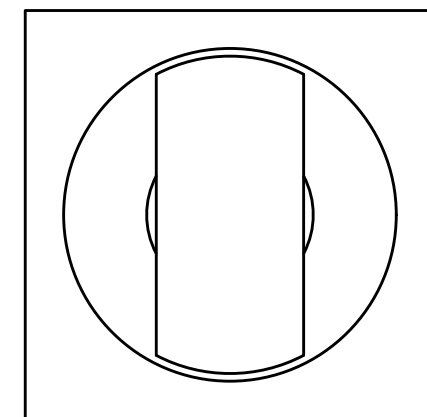
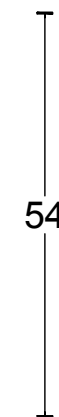
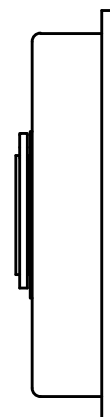
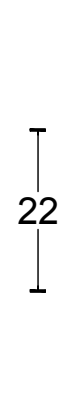
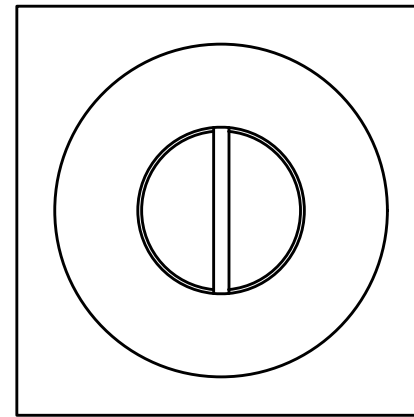
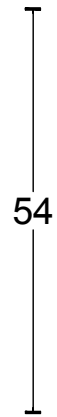
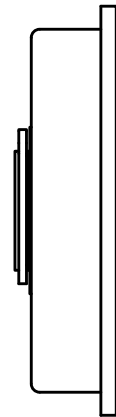
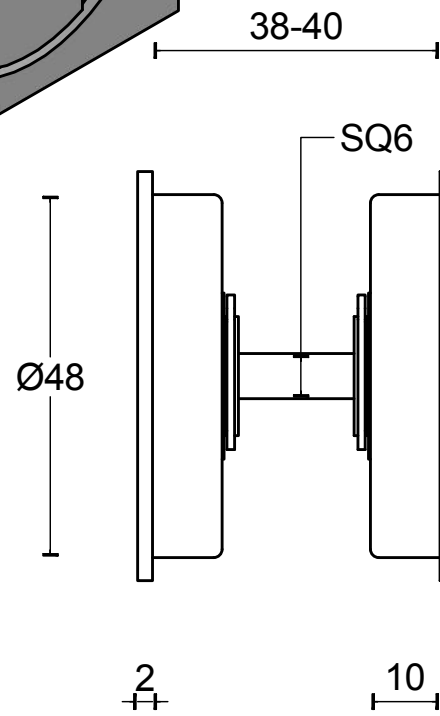
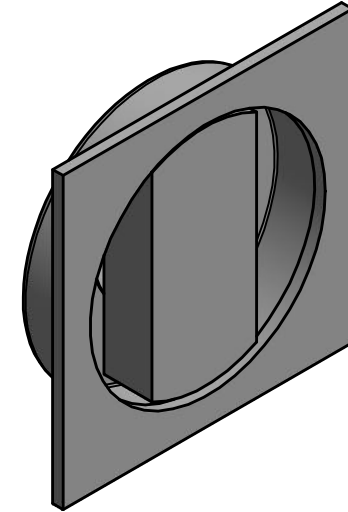
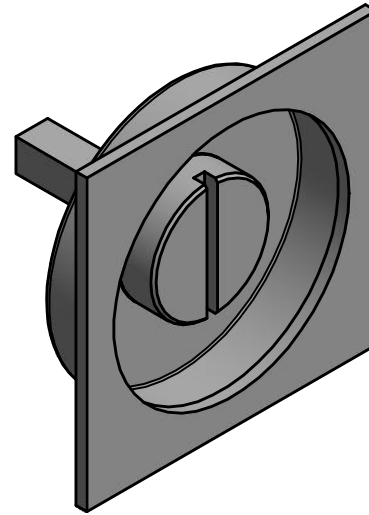
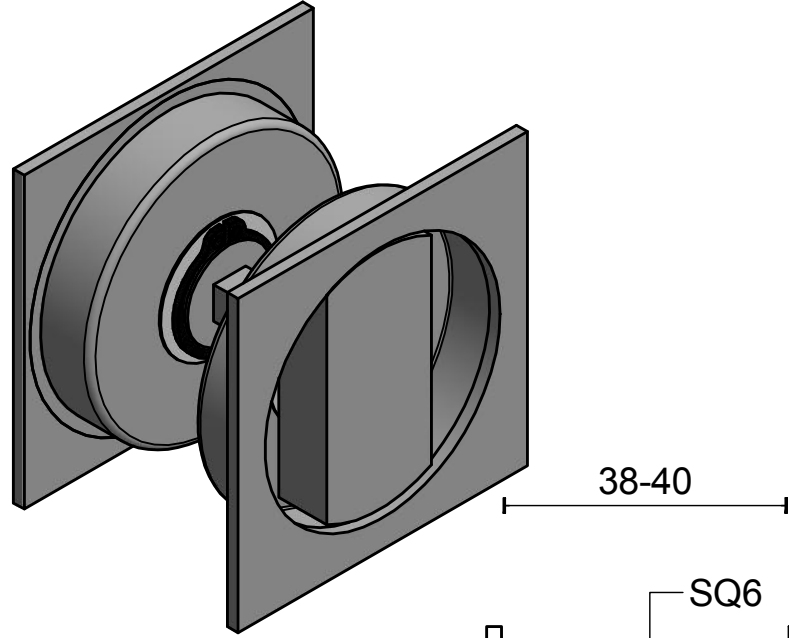


LSQ54S

set of flush pulls for glue fitting
including 6mm spindle
(lock not included)
stainless steel



TWO TEASE
ARCHITECTURAL HARDWARE
www.twotease.com.au info@twotease.com.au

FORMANI®		Part number:	
Doc no.: 2501Z076 LSQ54S V04.dwg	Drawn by: Christian Brimbois	Creation date: 18-9-2017	Format: A3
Description: LSQ54S			
FORMANI HOLLAND B.V. EUROPALAAN 12 6199 AB MAASTRICHT-AIRPORT NL T +31 (0)43 308 90 00 INFO@FORMANI.COM FORMANI.COM			