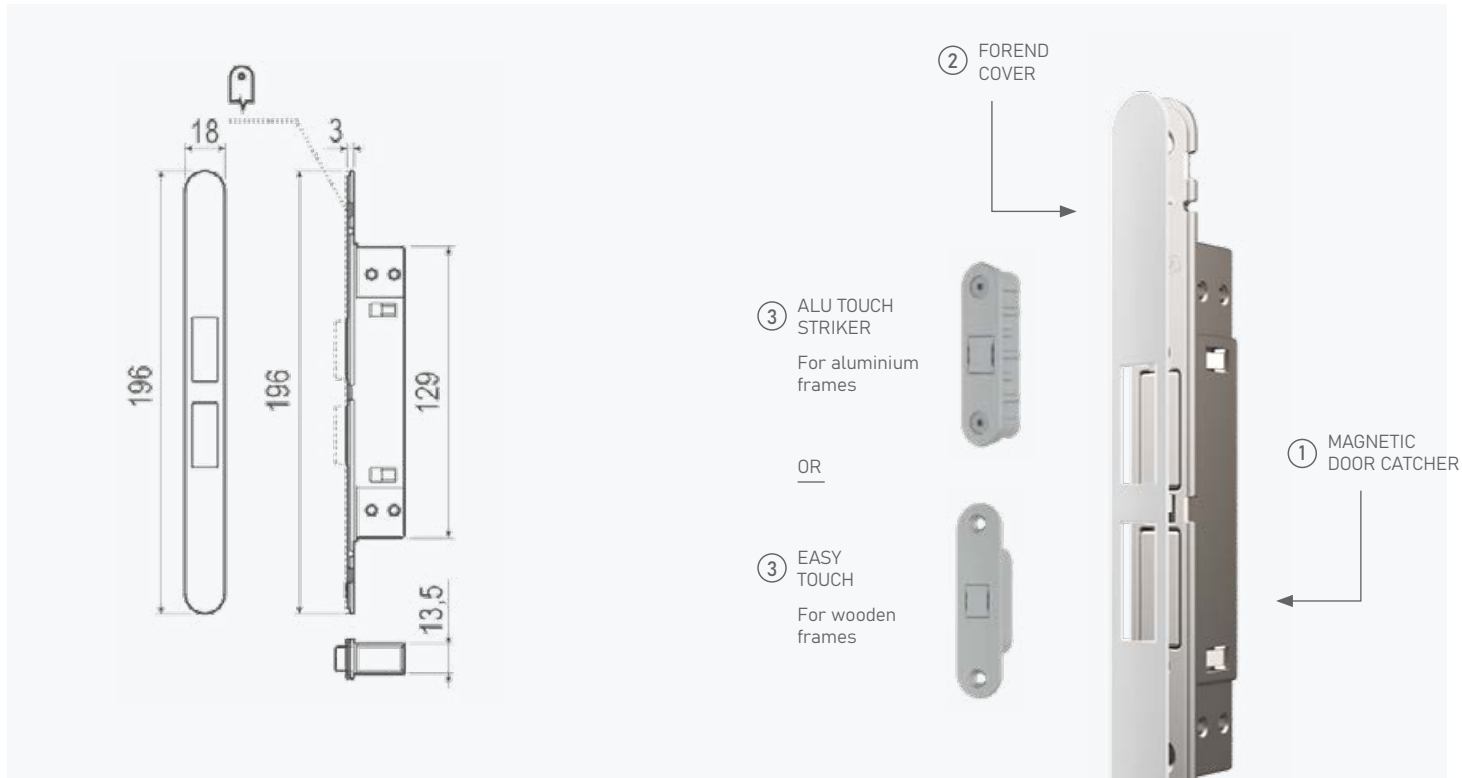


3 COMPONENTS

Tested 500, 000 times!



TOUCH

AGB ADJUSTABLE MAGNETIC DOOR CATCHER FOR INTERNAL DOORS

Absolute freedom to choose the handle.
Minimal design, no visible screws.
Patented Adjustable system of catching

Patented contactless magnetic door catch designed for internal doors: the catching force can be adjusted and thanks to the patented adjustment system on the sash, Touch guarantees the closing, even with a variable gap. The Touch magnetic door catch allows for a push/pull function for opening doors with a pull handle. The need for a lever handle is no longer required.

On the push side, Touch allows to open the door by a simple push: a touch! On the other side, just pull with whatever handle.



Minimal design,
no visible screws



Absolute freedom to
choose the handle

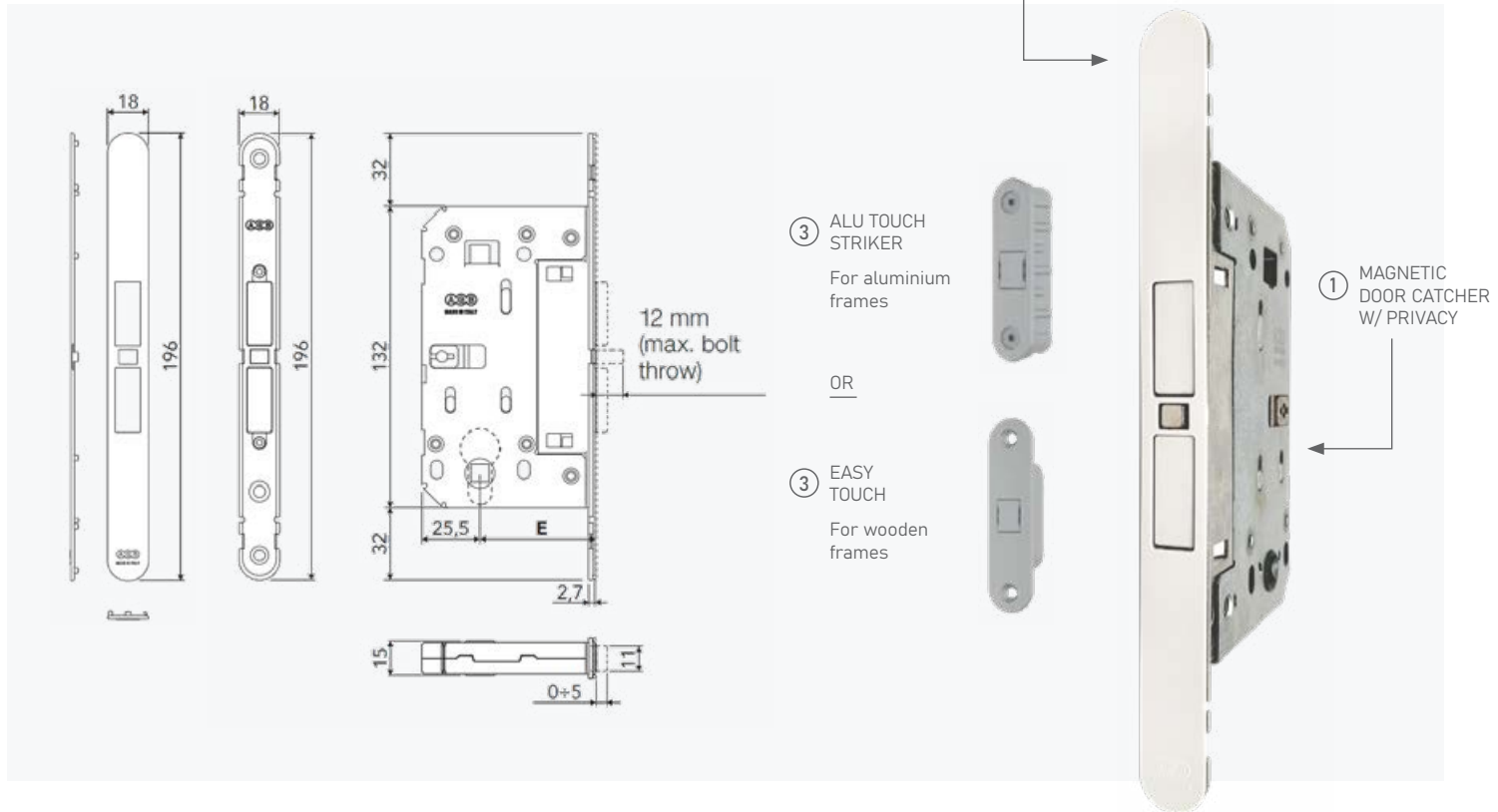


Patented adjustable system
of catching force

BEST SUITED FOR FIXED HANDLES OR PULL HANDLES

3 COMPONENTS

Tested 500, 000 times!



TOUCH & CLOSE

AGB ADJUSTABLE MAGNETIC DOOR WITH PRIVACY FOR INTERNAL DOORS

Protect the privacy of your room with Touch & Close: all the advantages of the magnetic catcher, plus the possibility of closing the door with the lock.

Lock Type
WC Lock

Backsets
50mm
60mm

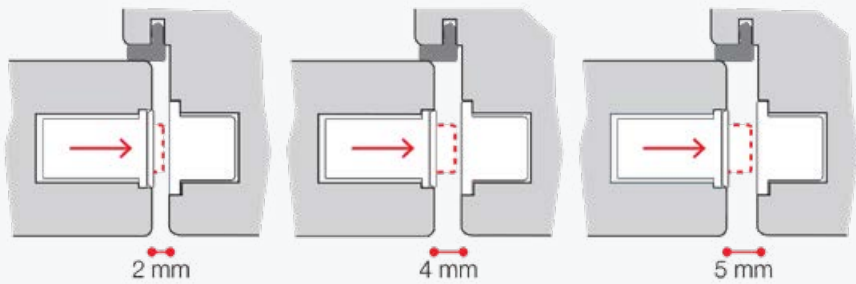
Steel Forend
Round End
18mm



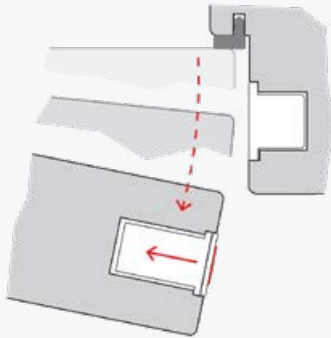
BEST SUITED FOR FIXED HANDLES OR PULL HANDLES

Adjustable System

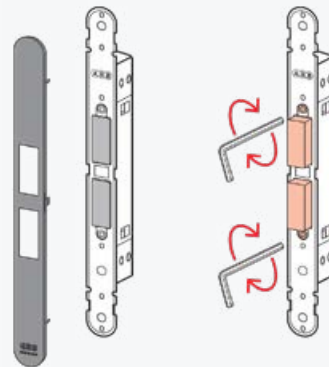
The release of magnets happens only when the sash is aligned to the striker. The magnets throw can be **adjusted by using a 2.5 mm allen key**. Touch definitely avoids the adjustment problems of roller latch.



When the door is open, the magnets retract and stay flush with the forend, giving a minimal design to the door and avoiding problems caused by any protrusion.

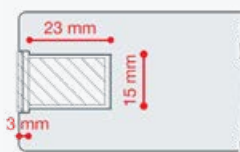


The cover is removable and hides the fixing screws and the adjustment grubs of the magnets. Rotating the grubs increases the working stroke of the magnetic latches and therefore the force of attraction between the sash part and the frame.

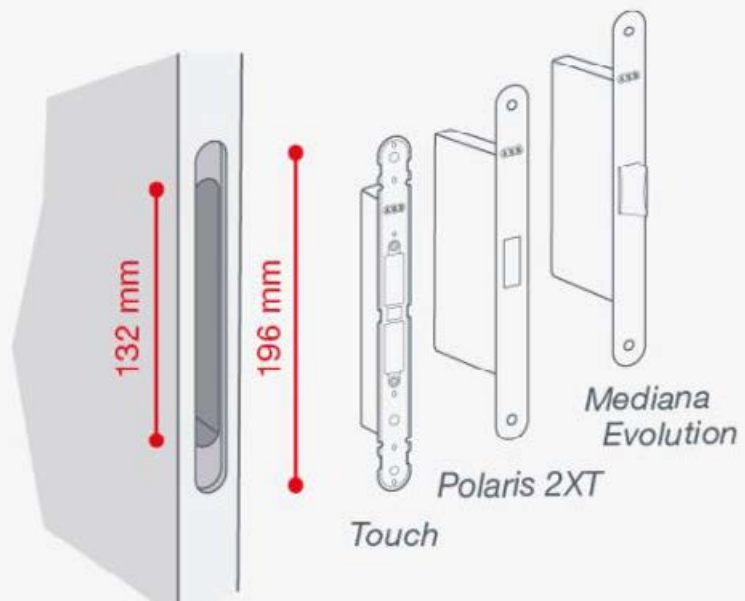


One Milling, Unlimited Solutions

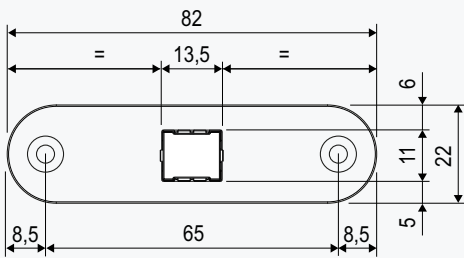
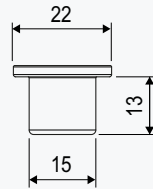
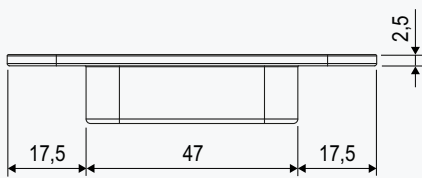
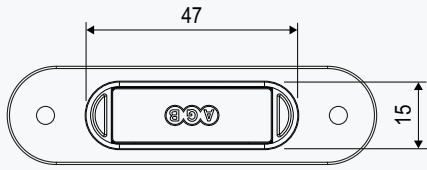
The standard milling allows easy and time saving installation between **Touch, Polaris and Mediana Evolution**.



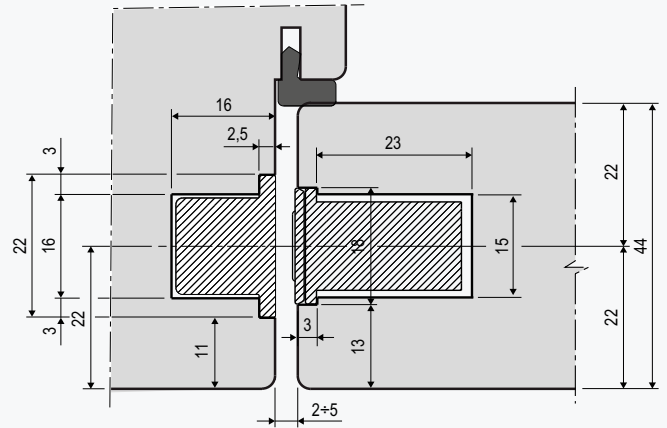
On dedicated doors, TOUCH requires a thin milling affecting the jamb of the panel only.



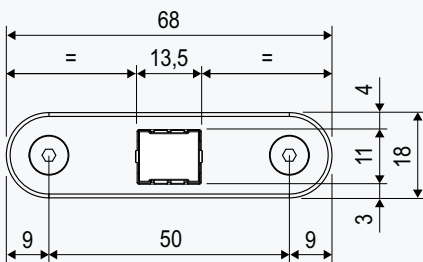
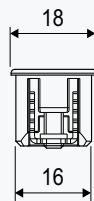
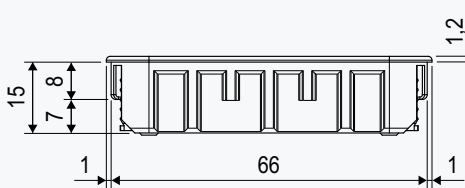
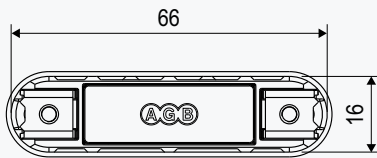
EASY TOUCH STRIKER
For Wooden Frames



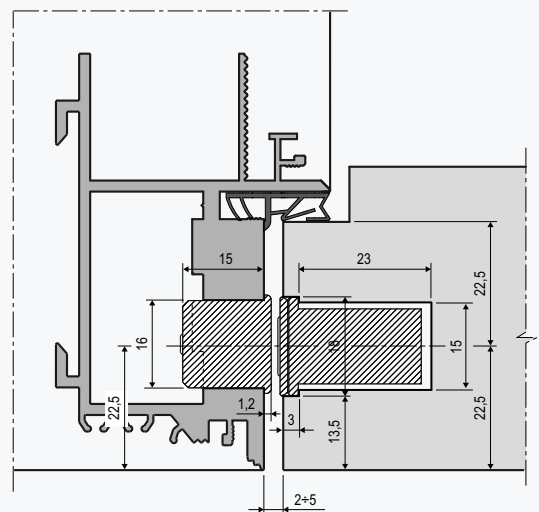
Example of Application



ALU-TOUCH STRIKER
For Aluminium Frames



Example of Application



TOUCH



Finishes	Codes
Grey RAL 7036	B01120.30.78
Black	B01120.30.93
White	B01120.30.FM

TOUCH FOREND COVER



Finishes	Codes
Matt Chrome	B01120.31.34
Black	B01120.31.93
White	B01120.31.FM

TOUCH & CLOSE



Finishes	50mm Backset	60mm Backset
Grey RAL 7036	B06502.50.78	B06502.60.78
Black	B06502.50.93	B06502.60.93
White	B06502.50.FM	B06502.60.FM

TOUCH & CLOSE FOREND COVER



Finishes	Codes
Grey RAL 7036	B01120.33.78
Black	B01120.33.93
White	B01120.33.FM

ALU TOUCH STRIKER

For Aluminium Frames



Finishes	Codes
Grey RAL 7036	B02404.30.78
Black	B02404.30.93
White	B02404.30.FM

EASY TOUCH STRIKER

For Wooden Frames



Finishes	Codes
Grey RAL 7036	B02404.31.78
Black	B02404.31.93
White	B02404.31.FM