



PIVOTICA PRO E

TWO TEASE
ARCHITECTURAL HARDWARE

argenta



PIVOTICA PRO E 100

The pivotica pro E 100 is a minimalist and invisible pivot hinge for pivoting interior doors, with an optional holding position at 90°.



Seamless ceiling part

- Renewed seamless finishing
- Can be plastered into the ceiling
- Minimum upper clearance: 4 mm



Standard lintel part

- Easy installation
- Available in matt chrome, black & white
- Minimum upper clearance: 5 mm



Adjustable upper pivot

- The adjustable upper pivot is placed in the door
- Compact installation height: 24.1 mm instead of 58.1 mm on the existing pivot
- Easy installation as the axle is magnetically pulled towards the ceiling part
- Adjustment of pivot door ± 3 mm in width and depth

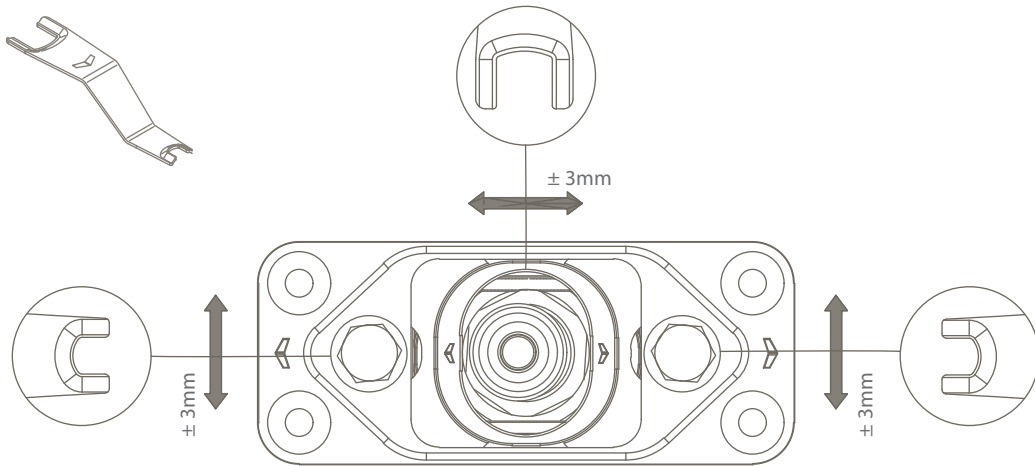


New installation key

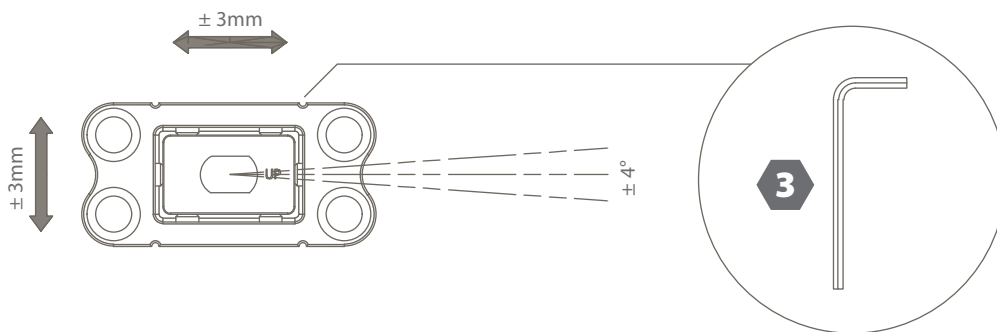
Provides easy control with minimal door opening at the top.

The new pivotica pro E 100 F-90 (extra holding position at 90°) can now be ordered under item numbers: 91500100 (black), 91500104 (chrome), and 91500108 (white). The new pivotica pro E 100 F-0 (always returns to closed position) can now be ordered under item numbers: 91500101 (black), 91500105 (chrome), and 91500109 (white).

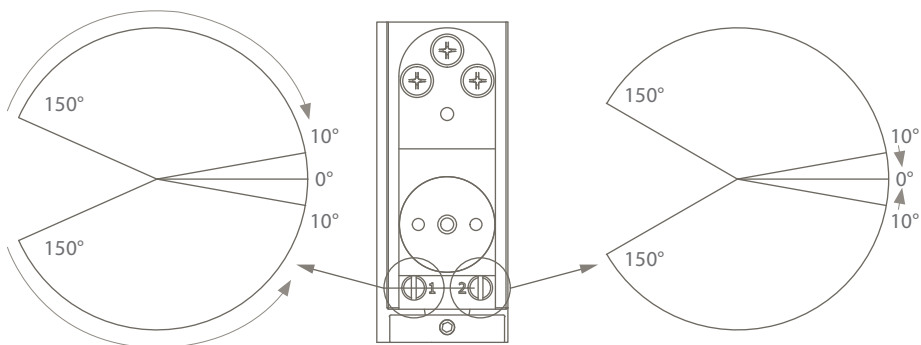
Upper pivot adjustable both in width and depth



Adjustable floor plate adjusts in width and depth



Adjustable pivot



⊖
SL4

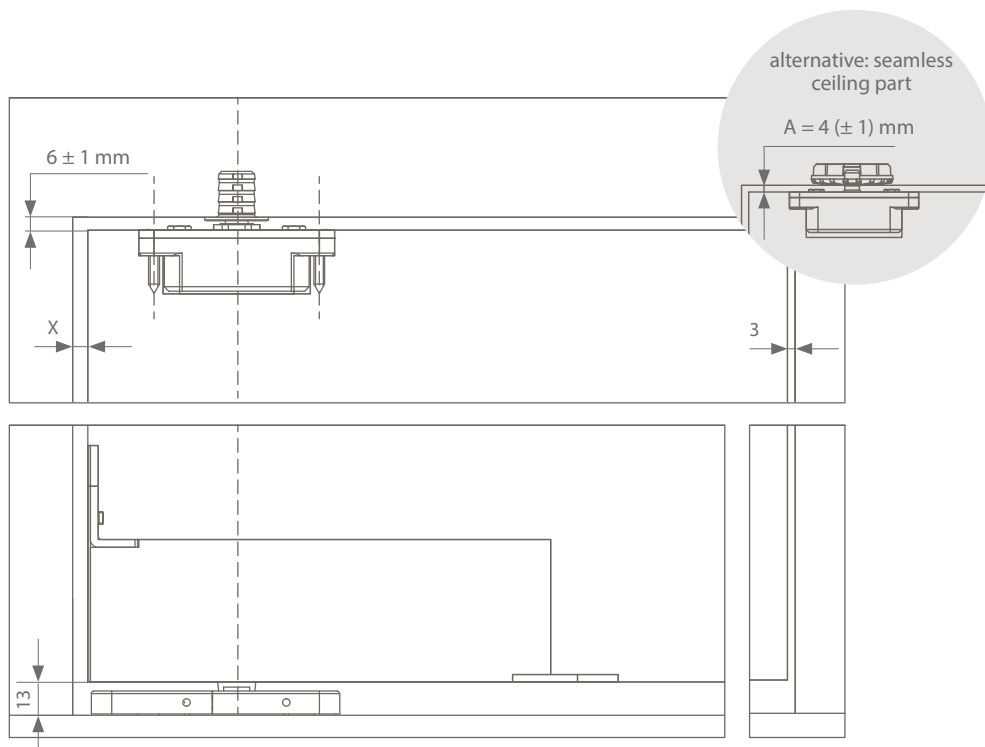
1 - closing speed

SLOW
↻
⊖
FAST

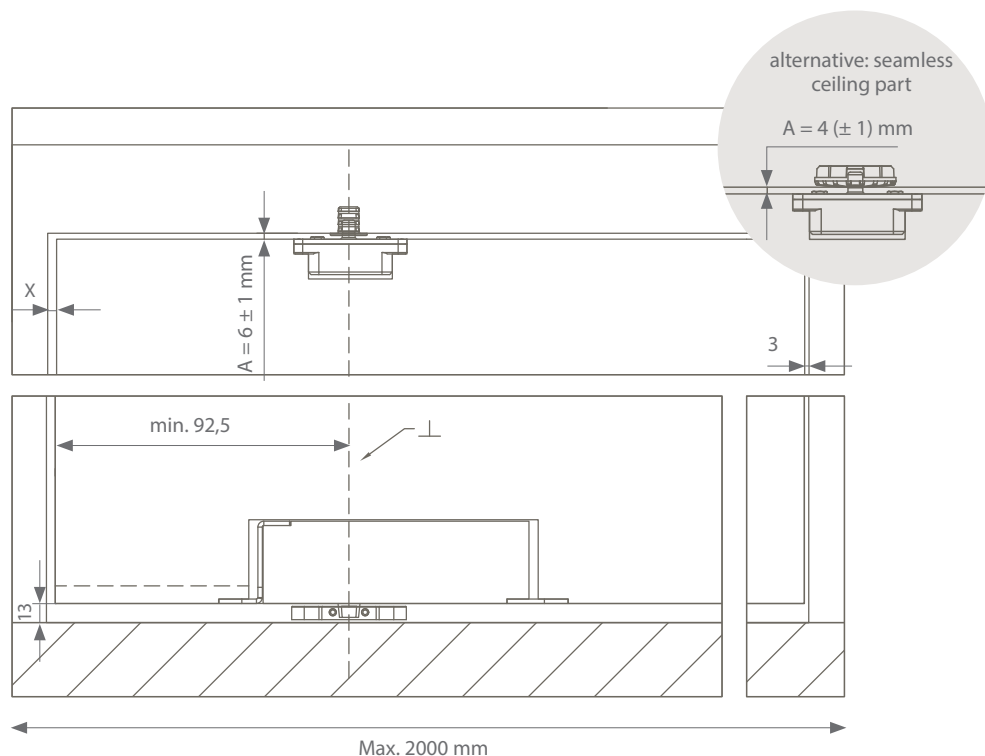
2 - damping speed

⊖
SL4

PIVOTICA PRO E 100 CORNER SETUP



PIVOTICA PRO E 100 (DE)CENTRAL



THE REFERENCE FOR OPENING DOORS

ARLU® is the manufacturer behind the brand names argenta® and rob®. Argenta has been a leading brand in door hardware for over 100 years, but today it is mainly synonymous with invisible door systems. Minimalist architecture swears by clean lines and a “back to the essence” mentality. In terms of interior doors, this results in integrated door fittings, invisible integrated techniques, door frames and skirting boards for revolving, sliding and pivoting doors. Argenta stands for a full range of sleek interior solutions.

DISTRIBUTED BY:



Info@twotease.com.au
www.twotease.com.au
 +61 2 9437 9876

22/76 Reserve Road,
 Artarmon, NSW
 2065

