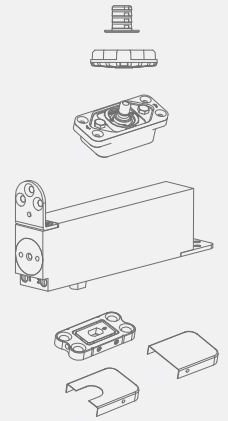
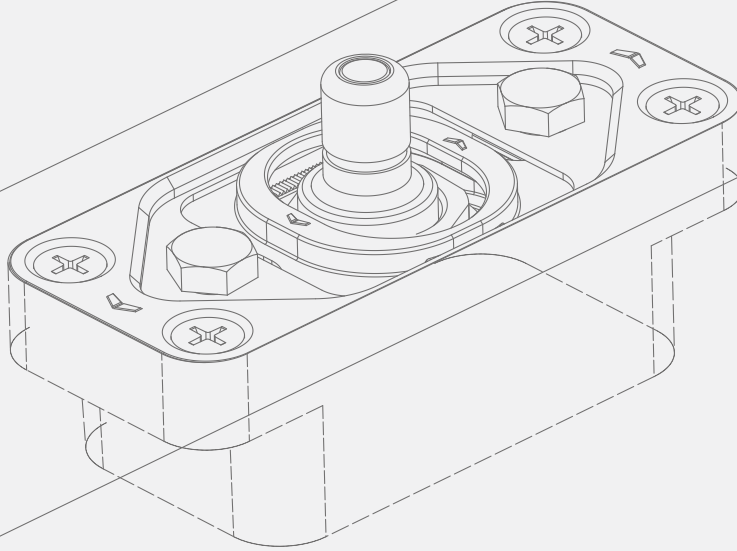


PIVOTICA PRO E 100

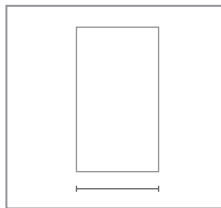
ARGENTA | Concealed Self-Closing Pivoting Hinges



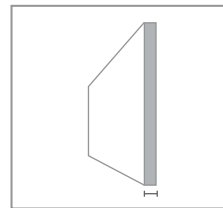
OVERVIEW



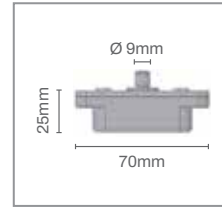
For interior doors weighing up to 100kg



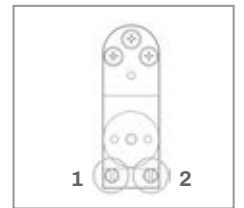
Max. Door Width 2000mm



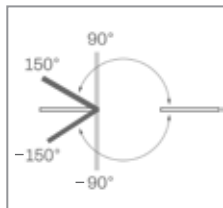
Min. Door Thickness 40mm



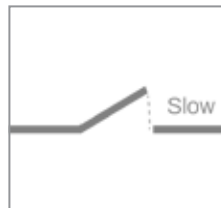
Smallest head in the market



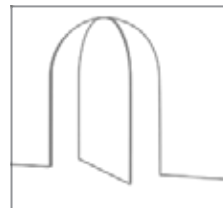
Adjustable Closing Speed & Active Speed Dampening



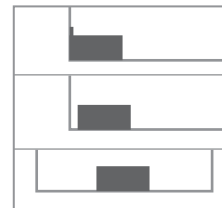
Opening angle of 150° in both directions or hold open at 90° to keep door open.



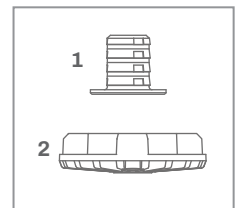
Soft close from pivot's hydraulics system for wall protection and prevent finger jamming.



Can be installed into a range of different door sizes and shapes.



Choose from 3 pivot points: corner, de-central and central position.

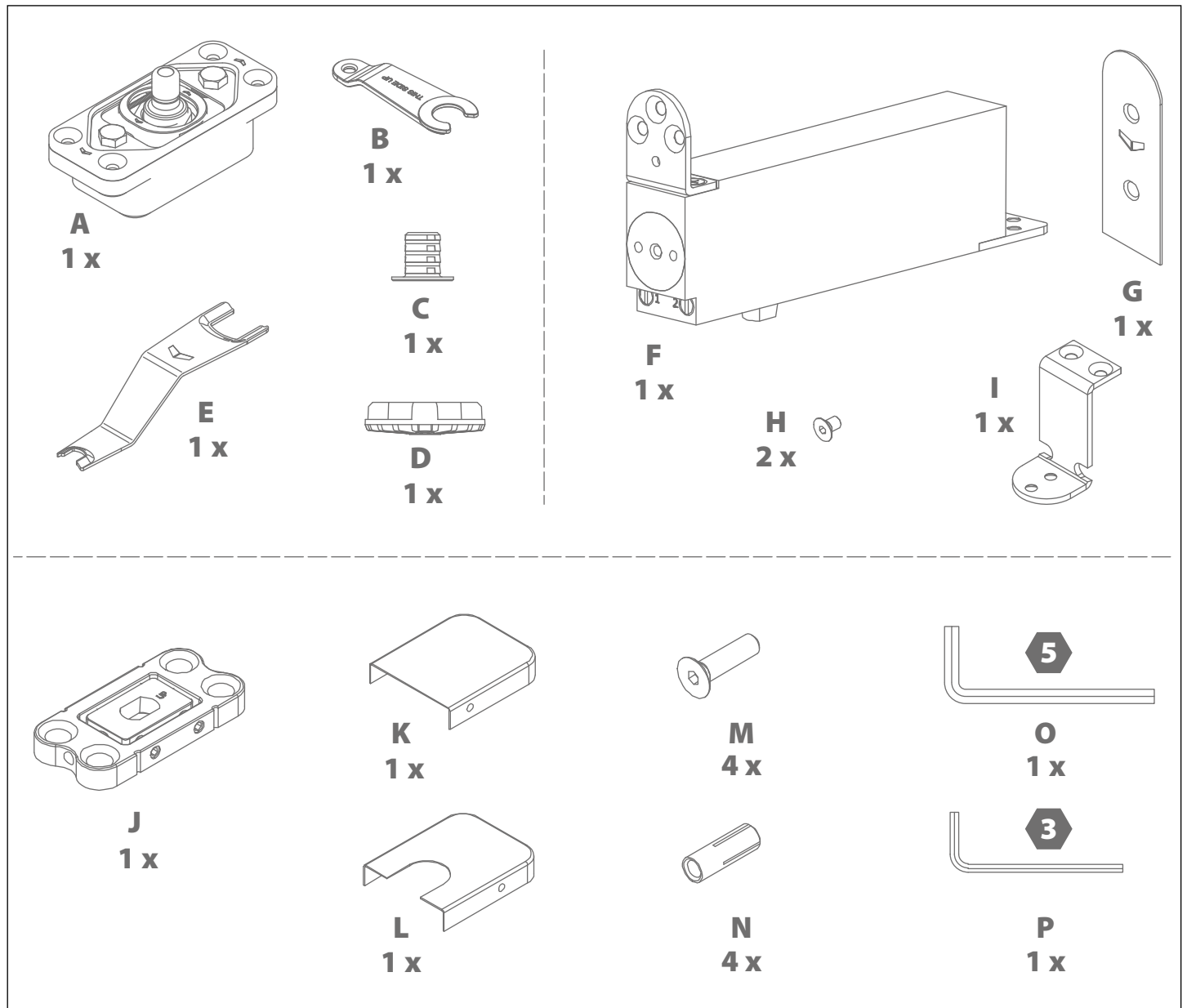
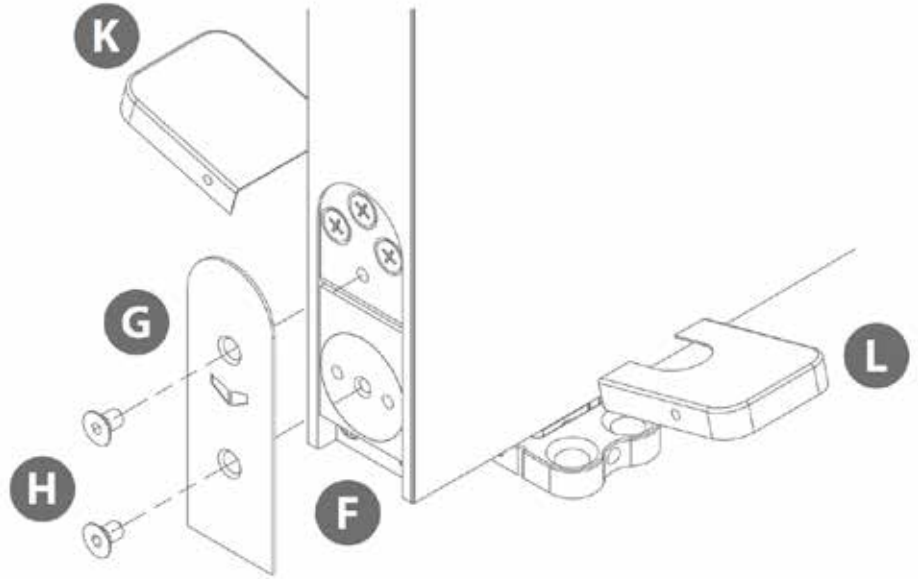


Mounting options for both lintel (1) and flush install into plasterboard (2)

VARIATIONS

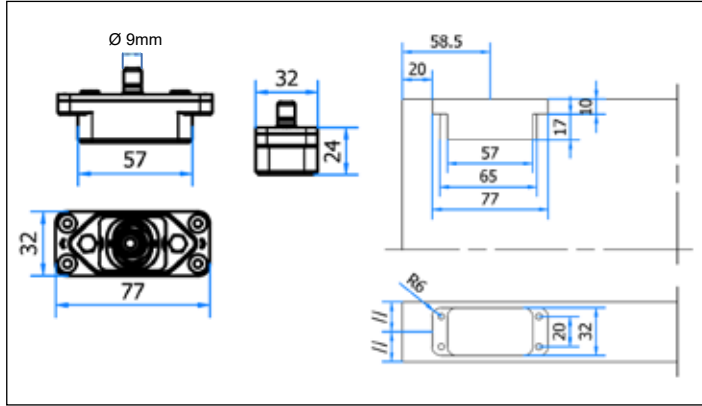
				FM Floor Mounted		F0 Free Swing F90 Hold Open at 90°	
FM F0	Black	91500100	FM F90	Black	91500101		
	Matt Chrome	91500104		Matt Chrome	91500105		
	White	91500108		White	91500109		

- A. Top Pivot Head
- B. Assembly Wrench
- C. Standard Lintel Part
- D. Seamless Ceiling Part
- E. Installation Key
- F. Pivot Body
- G. Pivot Body Face Plate
- H. Screws
- I. Bracket For Centre / Off-Centre Position
- J. Floor Plate
- K. Floor Plate Cover
- L. Floor Plate Cover
- M. Screws
- N. Screw Casing
- O. Allen Key
- P. Allen Key

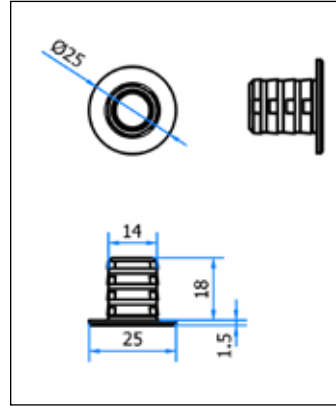


PIVOTICA PRO E 100

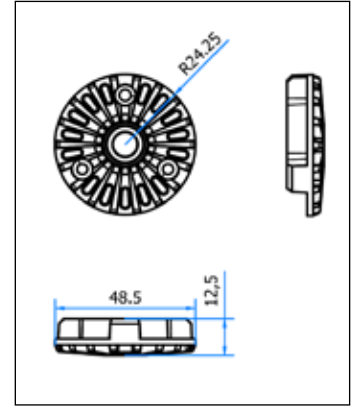
Adjustable Top Pivot Head



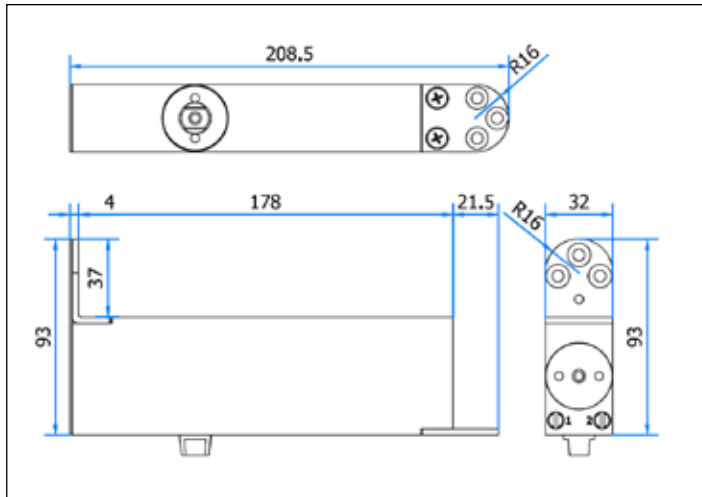
Standard Lintel Part



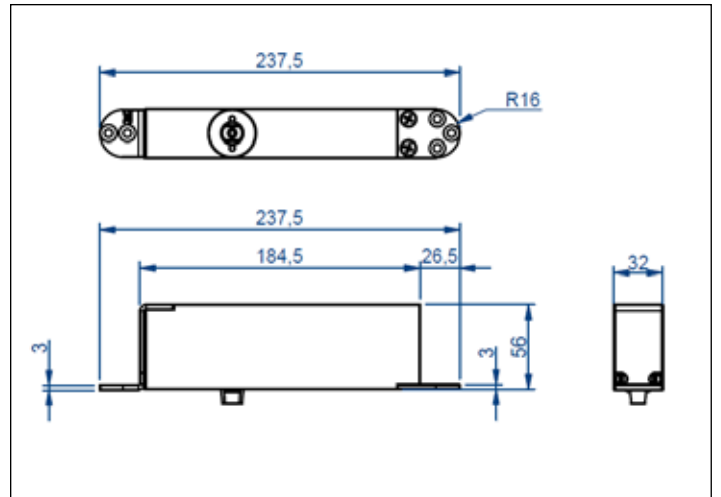
Seamless Ceiling Part



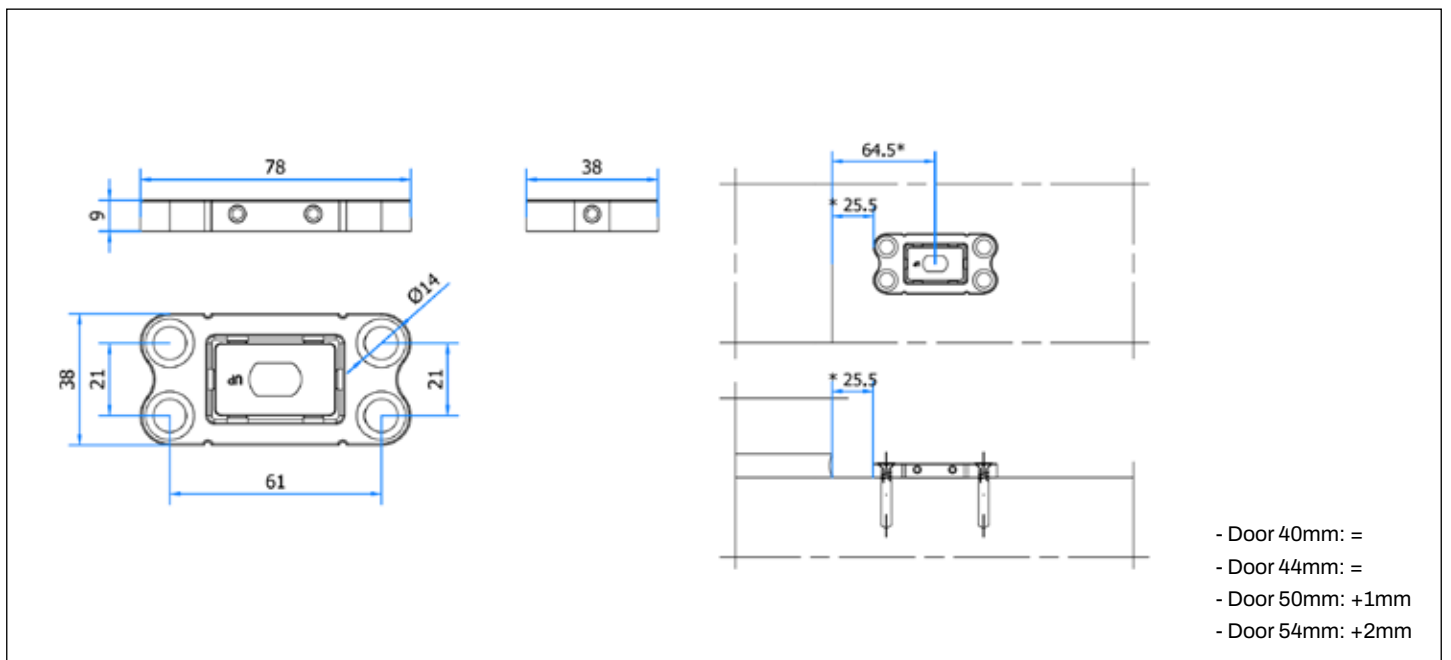
Pivot Body - Corner Position



Pivot Body - Centre or Off-Centre



Floor Plate - Floor Mounted





Matt Chrome



White



Matt Black

PIVOTICA PRO E 100

Floor Mounted (FM)

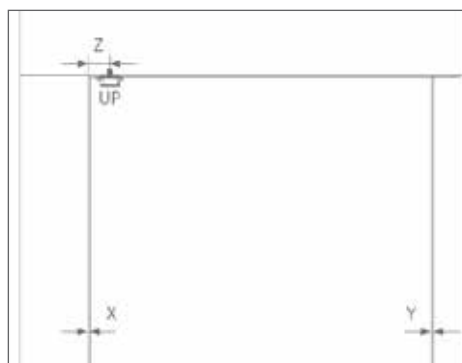
Min - Max. Door Weight:	40 - 100kg
Min - Max. Door Thickness:	40 - 100 mm
Door Width: ¹	Max. 2000 mm
Min - Max. Door Height:	Max. 3000 mm
Width Adjustment:	-3 / +3 mm
Depth Adjustment:	-3 / +3 mm
Alignment:	-4 / +4 mm °
Opening Angle:	Max. 150°
Holding Position: ²	0° or -90° / 0°/90°
Bottom Door Clearance:	13mm

(1) In corner position it is 1000 mm – doors widths after 1000 mm need the pivot body to be stepped in from the door edge up to the 2000 mm width where the pivot body is centered using the bracket included.

(2) F0 = 0° / Free Swing
F90 = Fixed / hold open at 90°

Pivot Point (mm)	Door Width (mm)	Max Axis Point (mm)*
58.5	1000	1000
100	1100	1000
200	1200	1000
300	1300	1000
1000	2000	1000

* From Axis point to lock side

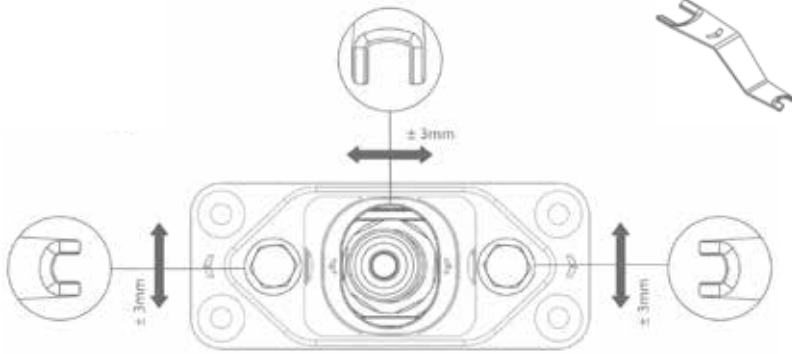


Top Pivot Head Position

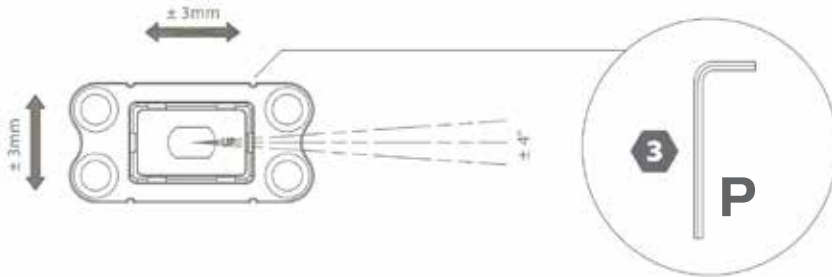
Door	X	Y	Z
40mm	6mm	3mm	64.5mm
45mm	6mm	3mm	64.5mm
50mm	7mm	3mm	64.5mm
54mm	8mm	3mm	64.5mm

ADJUSTMENTS

Top Pivot / Head: Adjustable in both width & depth



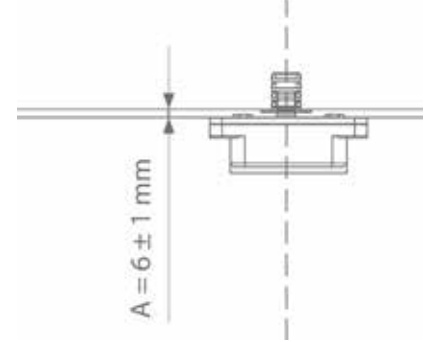
Foot Plate (Floor Mounted): Adjustable in both width & depth



MOUNTS FOR HEAD

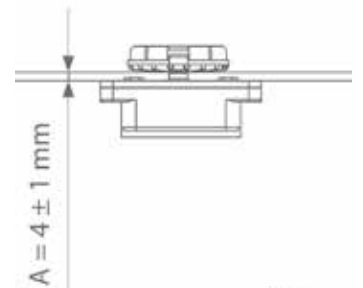
Lintel - Standard Door

Min. Upper Clearance: 4mm



Seamless Ceiling Part - Flush install into plasterboard

Min. Upper Clearance: 5mm

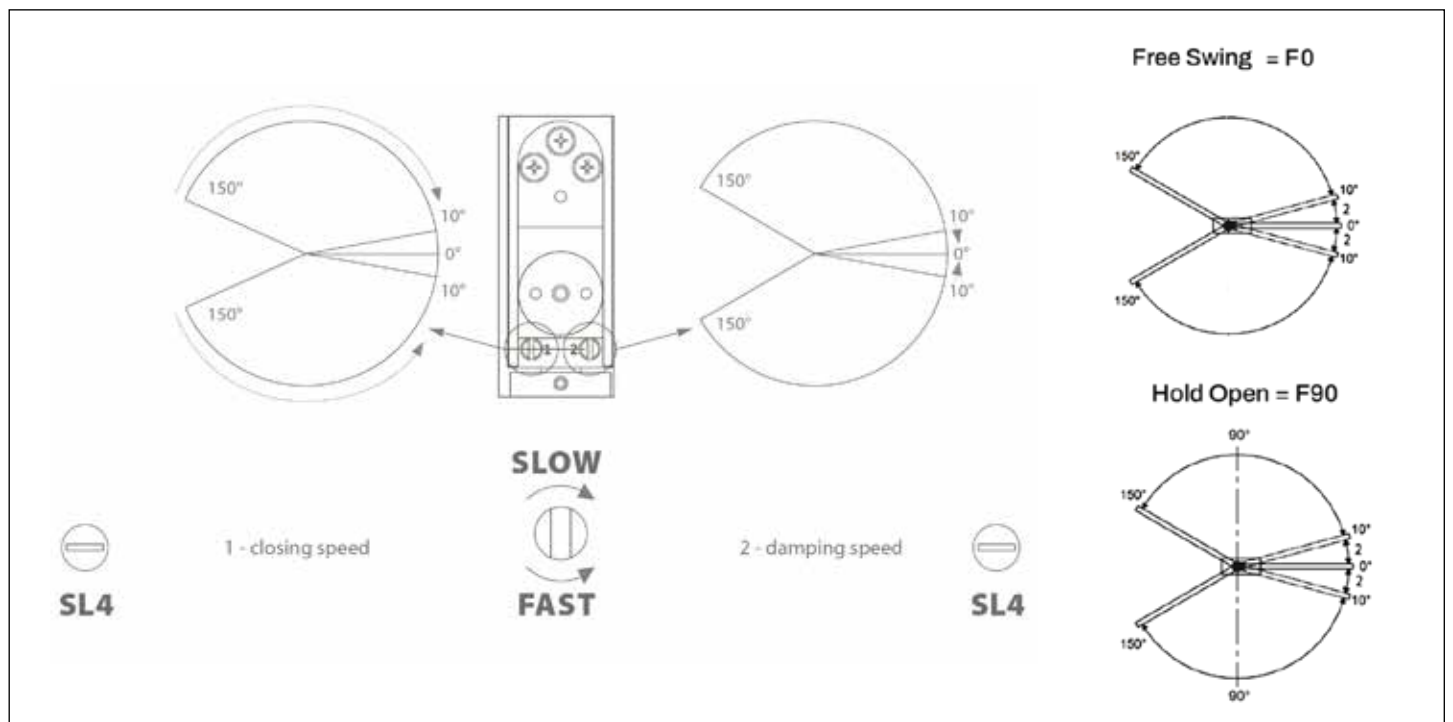


Easy installation as the axle is magnetically pulled towards the ceiling part



OPEN POSITIONS & ANGLES

* F0 = 0° / Free Swing
F90 = Fixed / hold open at 90°



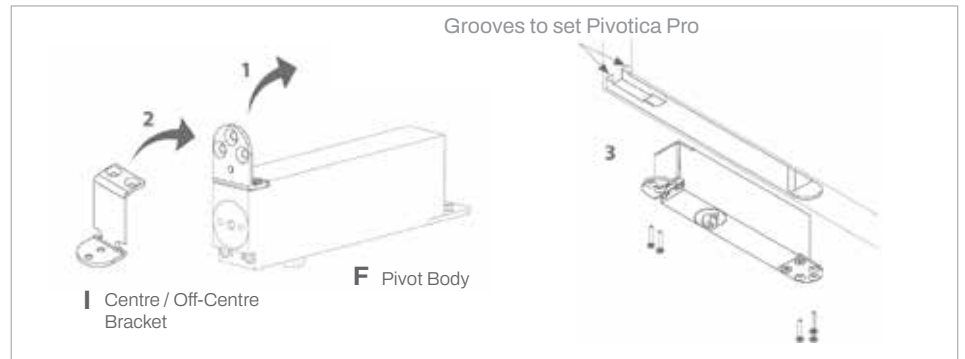
6 way adjustment on foot plate with allen key

The minimum pivot point is:
100kg: 58.5 mm

By changing the bracket allows you to increase the pivot point.

- **Hydraulics system for pivot movement**
- **2 adjustment: The closing speed & the damping**

Installing the bracket onto the pivot body for de-central & central positions



Corner Position

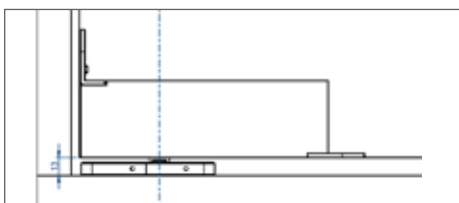
FM: Floor Mounted



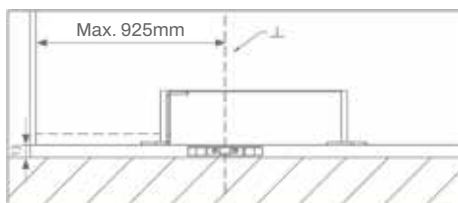
De-Central Position



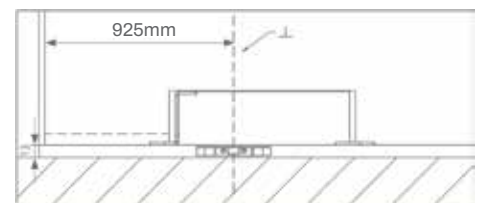
Central Position



Max. Door Width: 1000mm



Max. Door Width: 2000mm



Max. Door Width: 2000mm