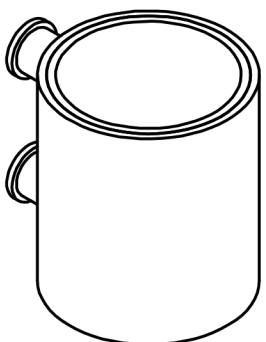
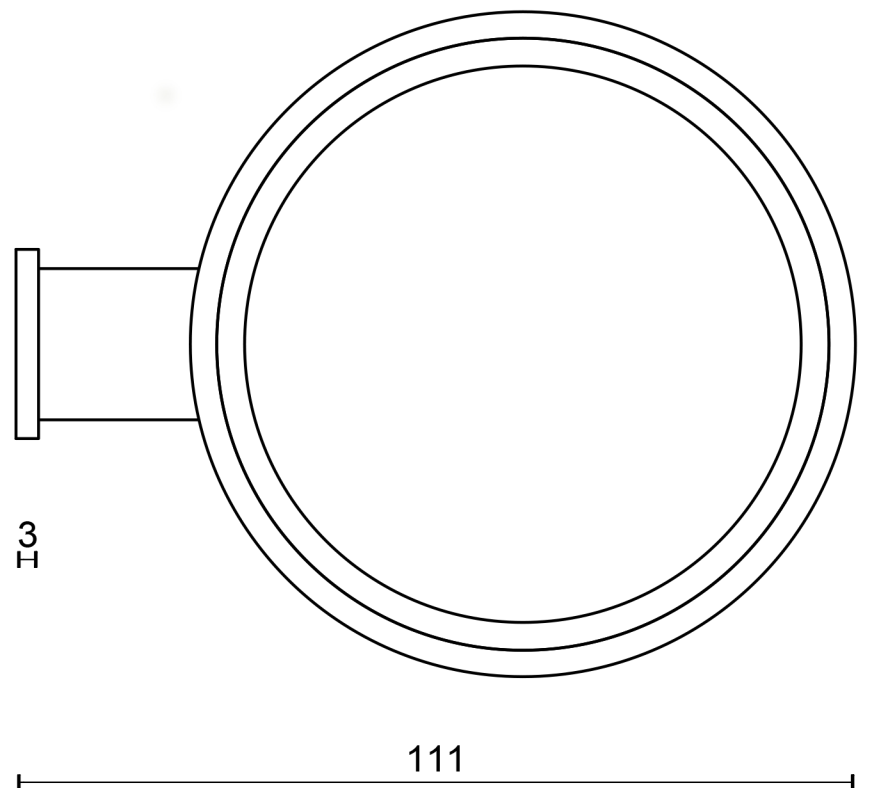
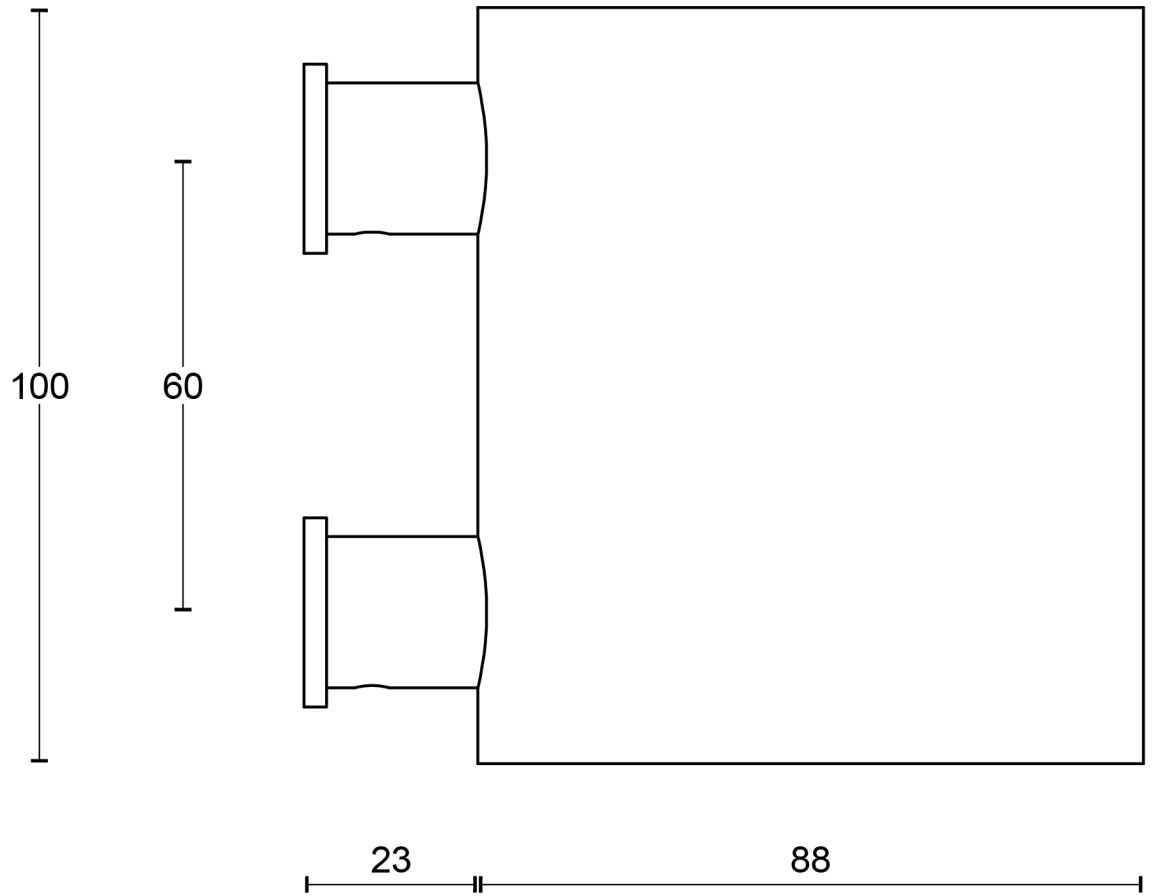
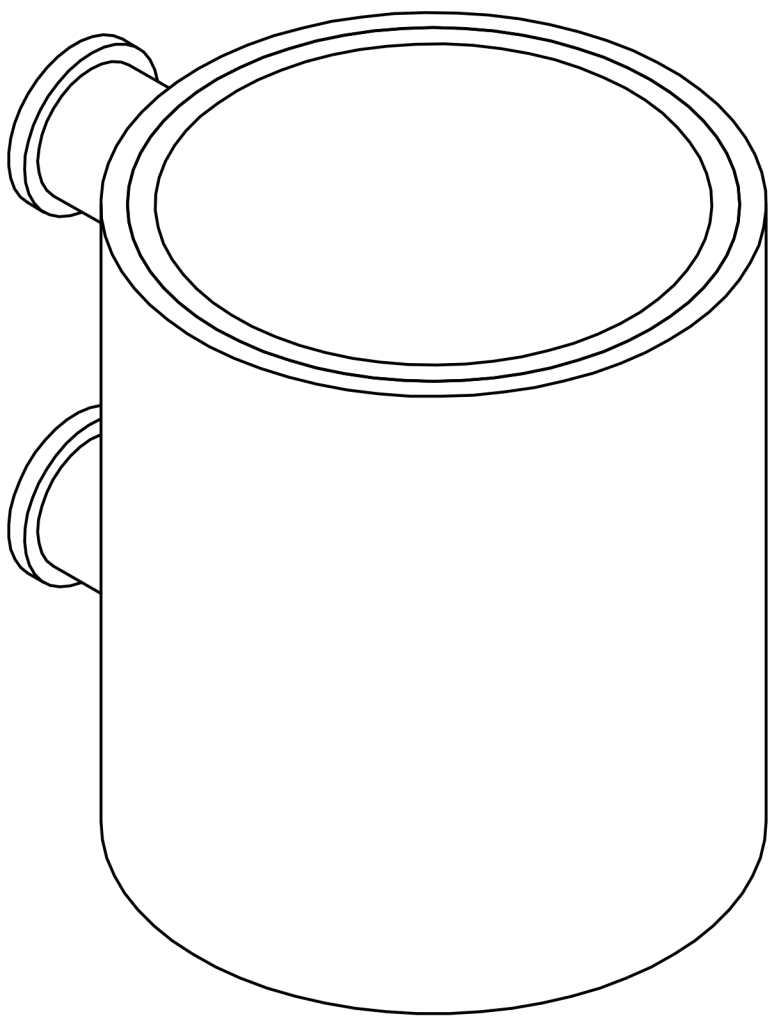


All information on the drawing is the property of Formani Holland B.V. and may not be copied, in any way whatsoever without obtaining the permission in writing from Formani Holland B.V.

PB103

toothbrush holder
for wall mounting
stainless steel AISI 316/corion®



FORMANI®		Part number:	
		PB103	
Doc no.: 2706A051 PB103 V02.dwg		A3	Format:
Drawn by: Christian Brimbois	Creation date: 5-9-2017		
Formani FROM TWO TEASE ARCHITECTURAL HARDWARE www.twotease.com.au info@twotease.com.au			