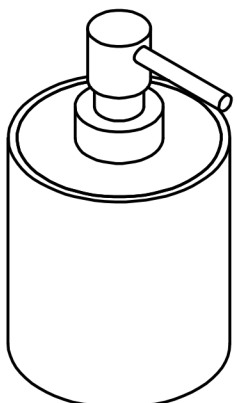
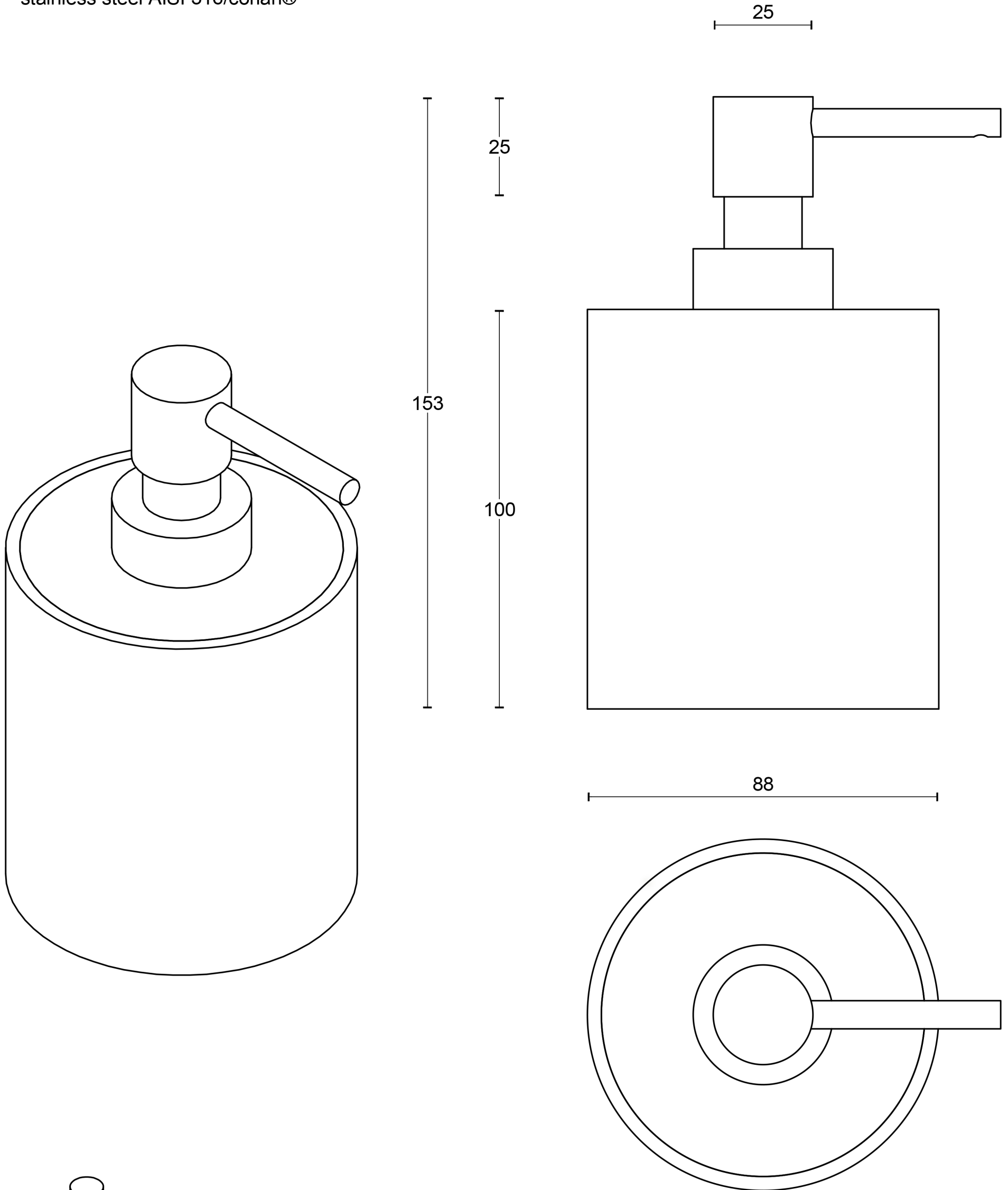


All information on the drawing is the property of Formani Holland B.V. and may not be copied, in any way whatsoever without obtaining the permission in writing from Formani Holland B.V.

**PB502**

soap dispenser  
free standing  
stainless steel AISI 316/corian®



<b>FORMANI®</b>		Part number:	
Doc no.: 2706A043 PB502 V02.dwg		<b>PB502</b>	Format:
Drawn by: Christian Brimbois	Creation date: 4-9-2017		<b>A3</b>
Formani FROM TWO TEASE ARCHITECTURAL HARDWARE <a href="http://www.twotease.com.au">www.twotease.com.au</a> <a href="mailto:info@twotease.com.au">info@twotease.com.au</a>			