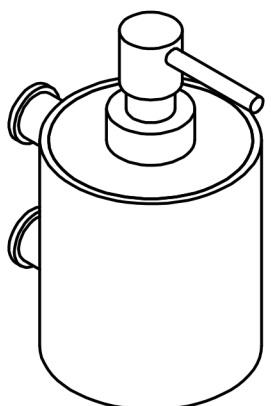
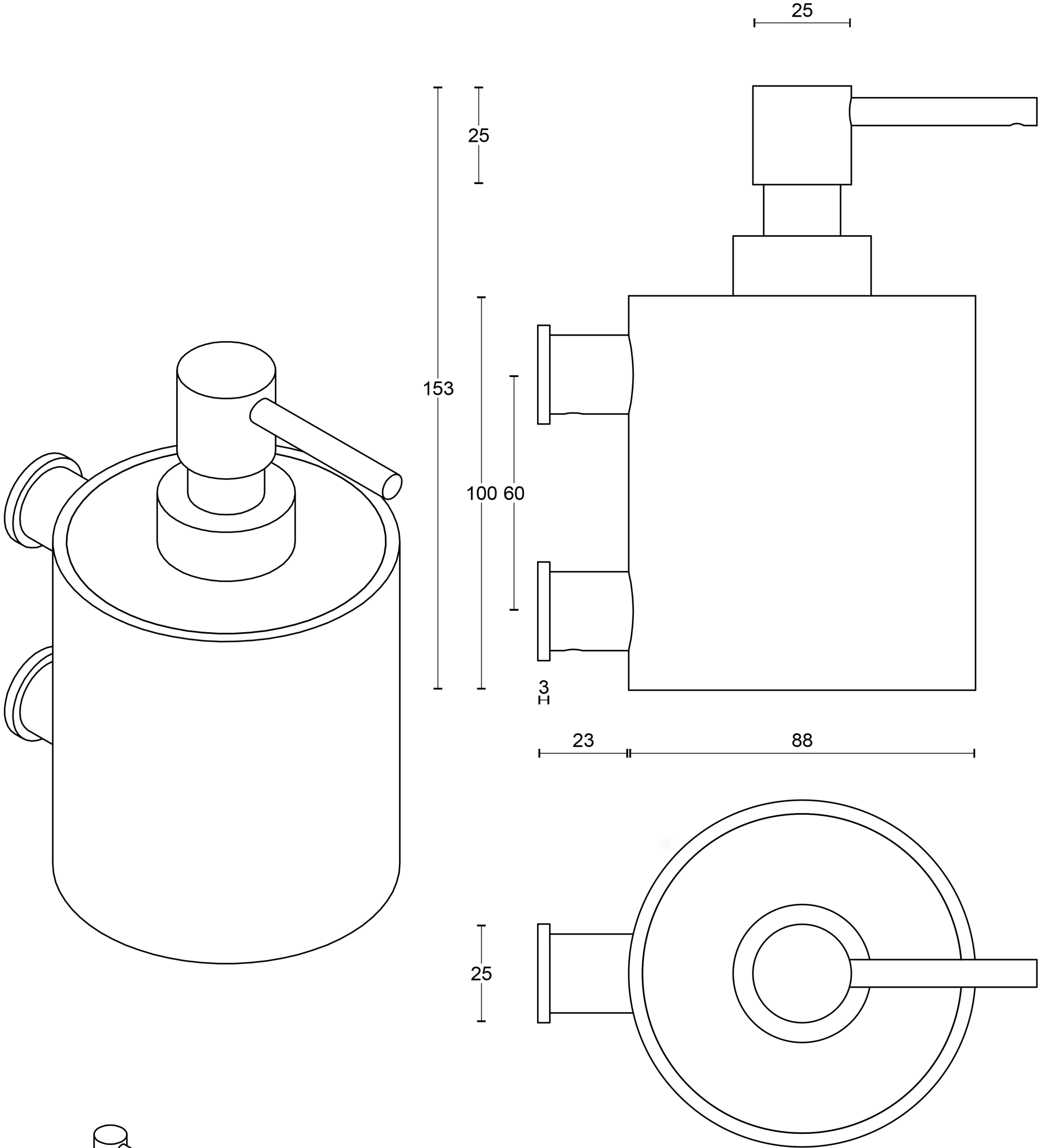


All information on the drawing is the property of Formani Holland B.V. and may not be copied, in any way whatsoever without obtaining the permission in writing from Formani Holland B.V.

**PB503**

soap dispenser  
for wall mounting  
stainless steel AISI 316/corion®



<b>FORMANI®</b>		Part number:	
		<b>PB503</b>	
Doc no.: 2706A041 PB503 V02.dwg		<b>A3</b>	Format:
Drawn by: Christian Brimbois	Creation date: 4-9-2017		
Formani FROM TWO TEASE ARCHITECTURAL HARDWARE <a href="http://www.twotease.com.au">www.twotease.com.au</a> <a href="mailto:info@twotease.com.au">info@twotease.com.au</a>			