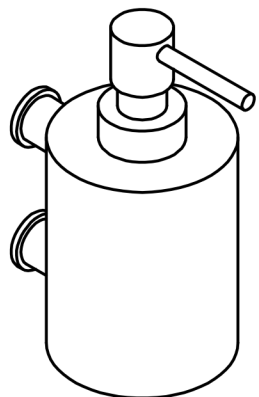
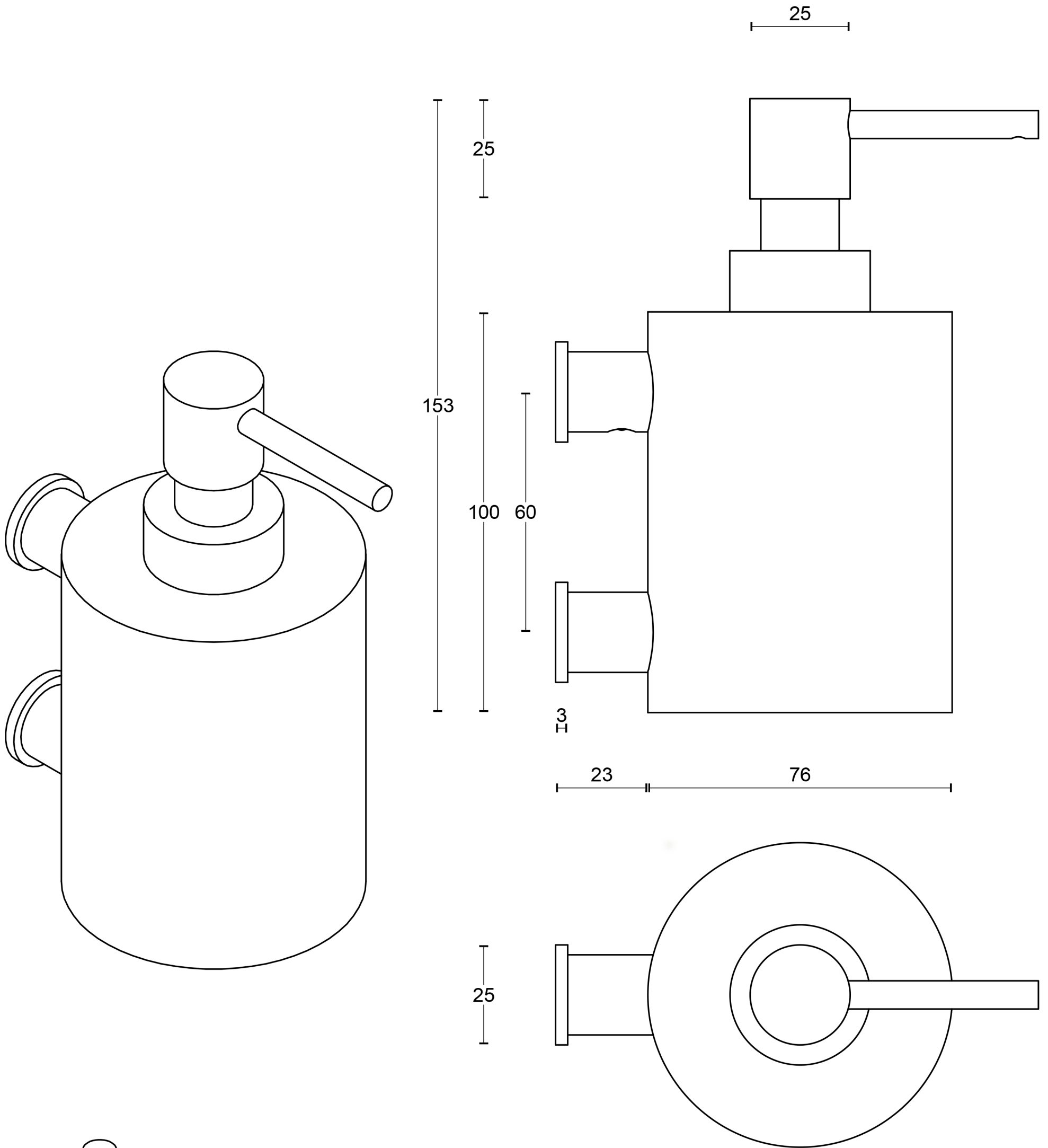


All information on the drawing is the property of Formani Holland B.V. and may not be copied, in any way whatsoever without obtaining the permission in writing from Formani Holland B.V.

PB501

soap dispenser
for wall mounting
stainless steel AISI 316



FORMANI®		Part number:	
		Description: PB501	
Doc no.: 2706A040 PB501 V02.dwg	Creation date: 4-9-2017	Format: A3	
Drawn by: Christian Brimbois	Formani FROM TWO TEASE ARCHITECTURAL HARDWARE www.twotease.com.au info@twotease.com.au		