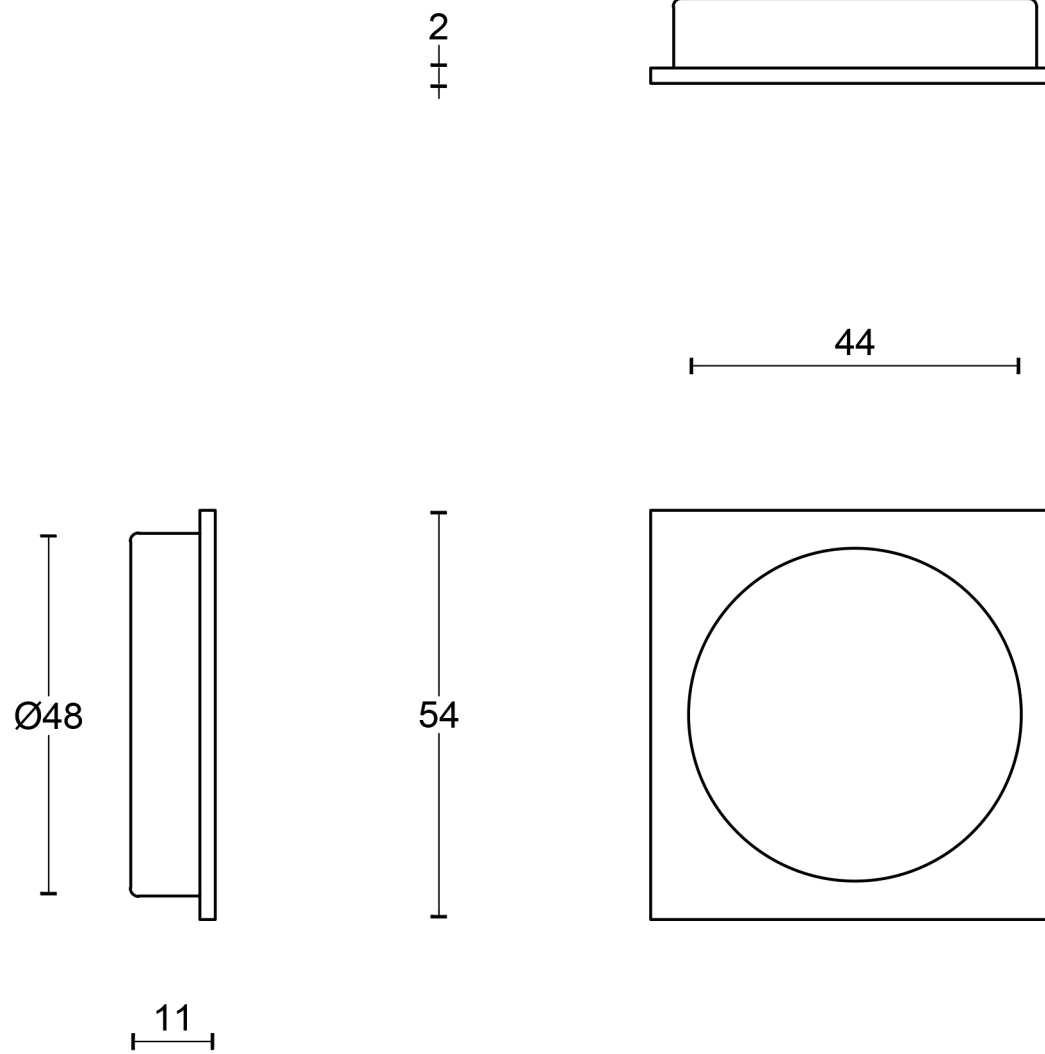
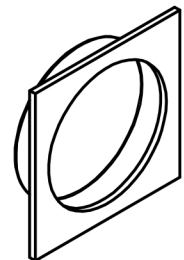
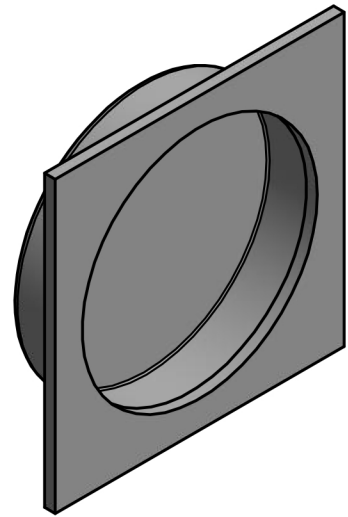


All information on the drawing is the property of Formani Holland B.V. and may not be copied, in any way whatsoever without obtaining the permission in writing from Formani Holland B.V.

**LSQ54**

flush pull  
for glue fitting  
stainless steel



<b>FORMANI<sup>®</sup></b>		Part number:	
		Description: <b>LSQ54</b>	
Doc no.: 2501Z075 LSQ54 V04.dwg		Format: <b>A3</b>	
Drawn by: Christian Brimbois	Creation date: 23-11-2016		
FORMANI HOLLAND B.V.		Formani FROM TWO TEASE ARCHITECTURAL HARDWARE <a href="http://www.twotease.com.au">www.twotease.com.au</a> <a href="mailto:info@twotease.com.au">info@twotease.com.au</a>	