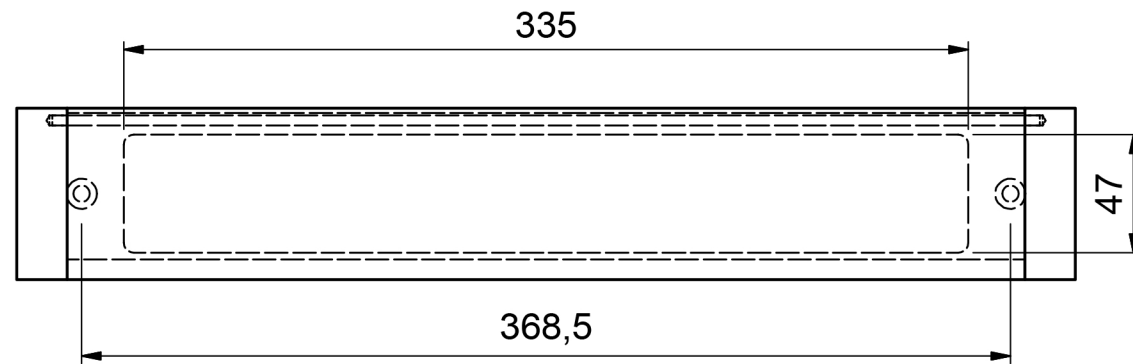
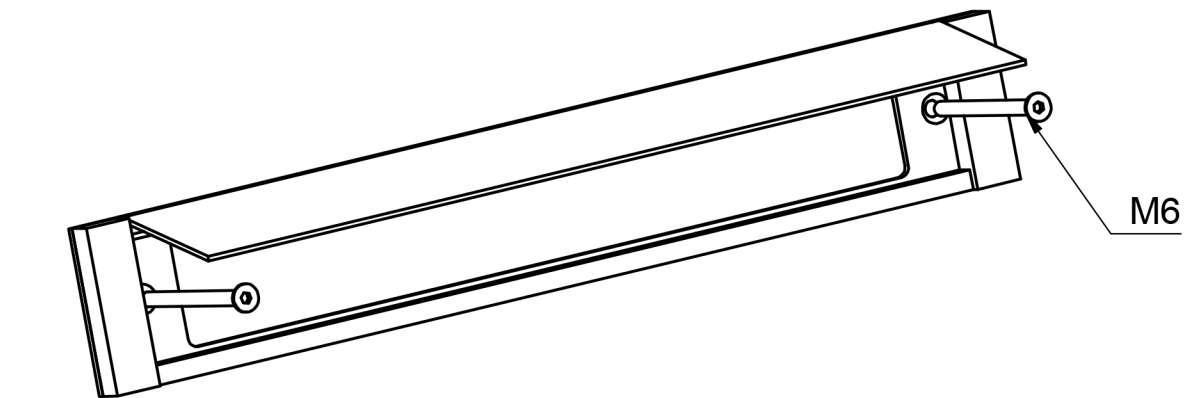
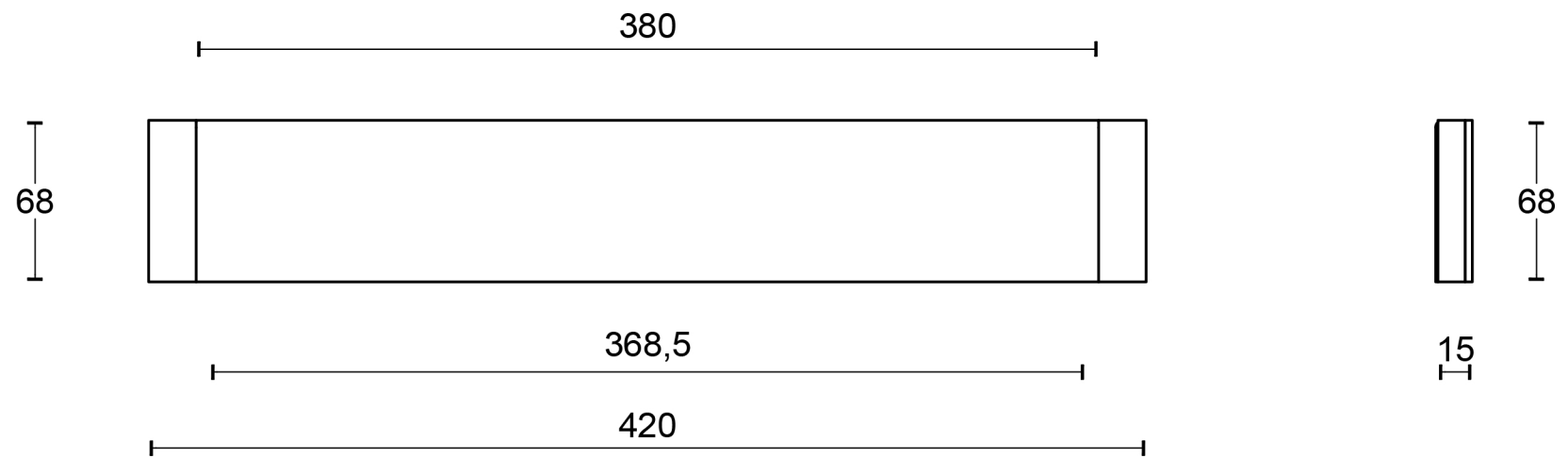


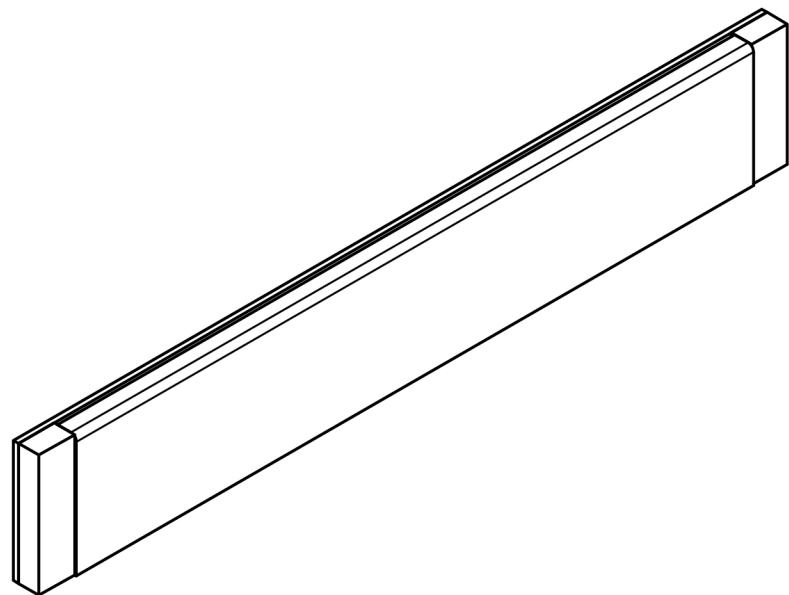
All information on the drawing is the property of Formani Holland B.V. and may not be copied, in any way whatsoever without obtaining the permission in writing from Formani Holland B.V.

LSQ380BI

solid internal tidy
stainless steel



drill holes of appr. Ø 8 mm on center distance of 368 mm



FORMANI[®]		Part number:	
		LSQ380BI	
Doc no.: 1502Z005 LSQ380BI V02.dwg	Description:		Format:
Drawn by: Christian	Creation date: 30-11-2011	A3	
Formani Holland B.V.		Formani FROM TWO TEASE ARCHITECTURAL HARDWARE www.twotease.com.au info@twotease.com.au	