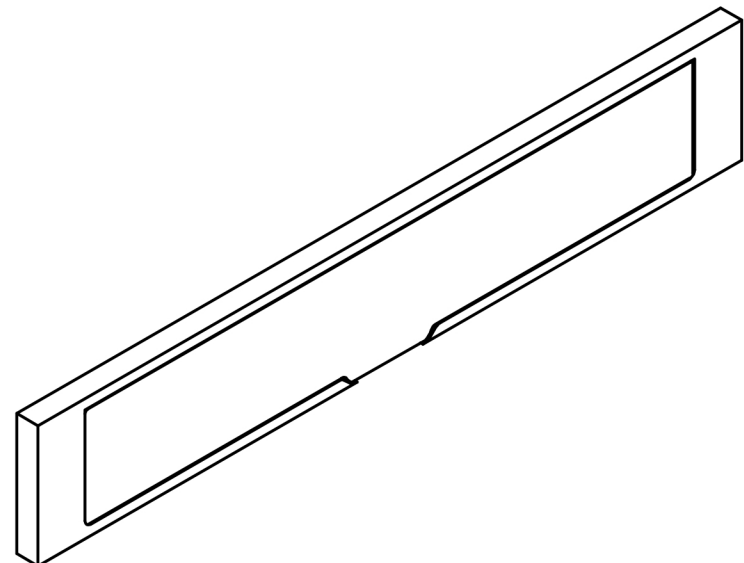
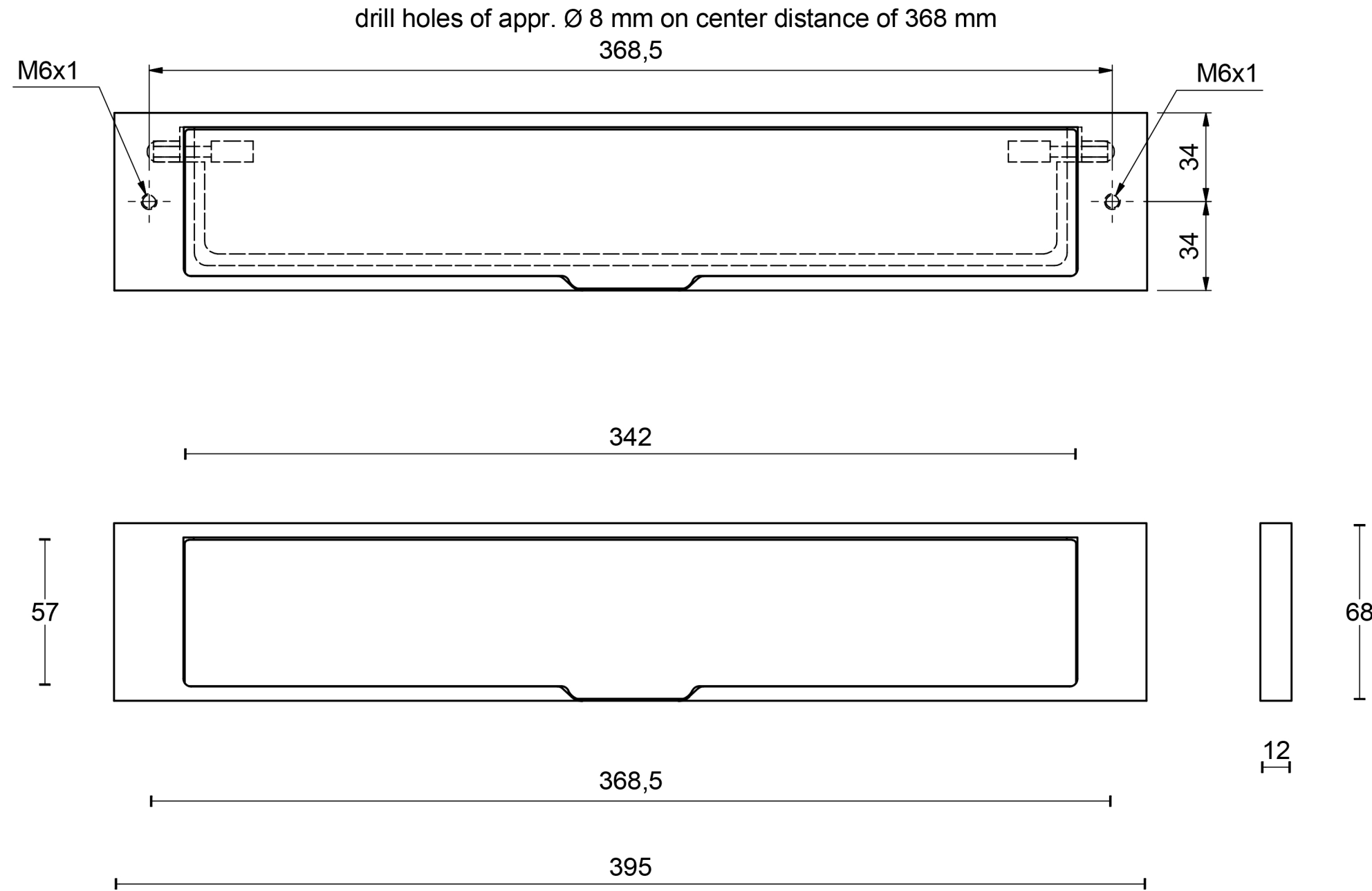


All information on the drawing is the property of Formani Holland B.V. and may not be copied, in any way whatsoever without obtaining the permission in writing from Formani Holland B.V.

LSQ380

solid letter plate
stainless steel



FORMANI®		Part number:	
		Description:	
Doc no.:	1502Z004 LSQ380 V02.dwg	LSQ380	Format:
Drawn by:	Christian		Creation date:
Formani Holland B.V.		Formani FROM TWO TEASE ARCHITECTURAL HARDWARE	
www.twotease.com.au info@twotease.com.au			