



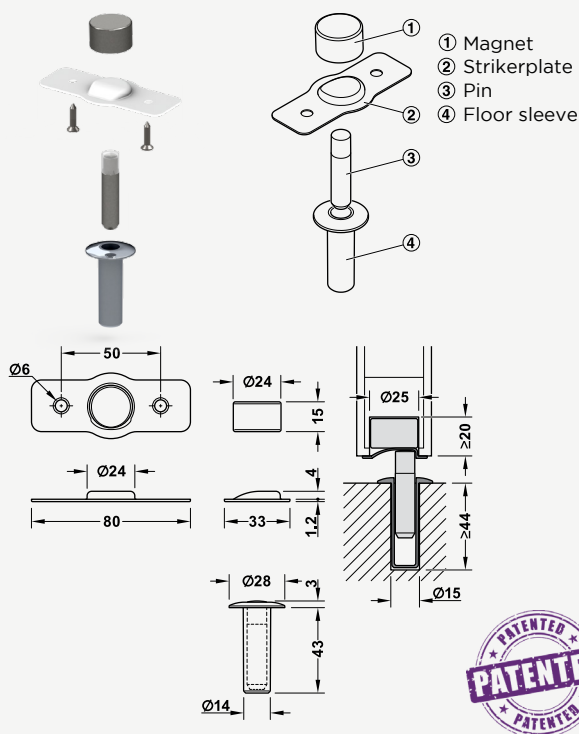
# Fantom Doorstop



## Details

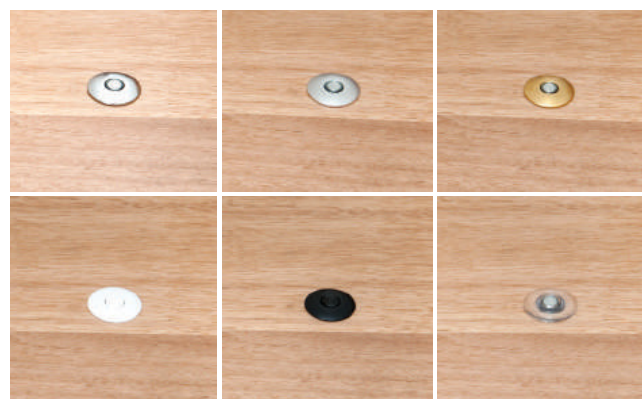
- Hold-open function [12.1 Nm]
- Prevents damages to the wall and door
- Stops the door from "springing open" and holds the door in the "open" position
- No risk of stumbling

## Components and Dimensions



## Packaging trade

| Material   |                    |
|--|--------------------|
| Floor sleeve: Polycarbonate or Cast Alloy<br>Magnet: N30 Neodymium<br>Pin: Low Carbon Steel / Thermoplastic Elastomer<br>Strikerplate: Nylon |                    |
| Finish/colour  | SKU                |
| Transparent  | TRADE-CLEAR-NYLON  |
| Black  | TRADE-BLACK-NYLON  |
| White  | TRADE-WHITE-NYLON  |
| Polished chrome plated   | TRADE-CHROME-NYLON |
| Satin chrome plated  | TRADE-SATIN-NYLON  |
| Brass  | TRADE-BRASS-NYLON  |
| Packing: 1 piece   |                    |



|   |
|---|
| <b>Area of Application:</b>   |
| Hinged doors made from wood or metal, for indoor use  |
| <b>Installation</b>   |
| Floor sleeve: For recess mounting in the floor, strikerplate and magnet: For recess mounting in door leaf |