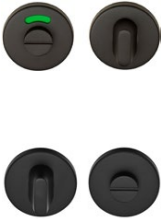


BASICS LEVER (LB14)

FORMANI



Above Shown: LB14 - Satin Black (NM)

	Lever Handle	Code
	LB14 (W)25 mm lever, 151 mm long sprung on a round rose	1501D257NMXX0
	LBWC50 Round turn and release privacy set including 5/6/7/8mm pin with indication.	1501T020NMXXU
	LBWC50-ZI Round turn and release privacy set including 5/6/7/8mm pin without indication.	1501T020IMXXUZI
	Escutcheons	
	LBY50 Round Key Escutcheons	1501Y002NMXX0
	Doorstop	
	LB10 Ø 39mm, 40 (H) floor mounted doorstop	1501Z028NMXX0

More finishes available on the next page.

LB14

Hollow Handle

Available Finishes	LB14 Door Handle	LBWC50 Privacy ZI = Without Indicator	LBY50 Key Escutcheon	LB10 Doorstop
Satin Stainless Steel IN	 1501D257INXX0	 1501T020INXXU 1501T020INXXUZI	 1501Y002INXX0	 1501Z028INXX0
Satin Black NM	 1501D257NMXX0	 1501T020NMXXU 1501T020NMXXUZI	 1501Y002NMXX0	 1501Z028NMXX0

CLASSIFICATION

According to EN 1906: 2012

3	7	-	B	0	3	0	B
---	---	---	---	---	---	---	---

Code can be broken down into the following grade/ digits:

1. CATEGORY OF USE [3]

High frequency of use by public or others with little incentive to exercise care and with a high chance of misuse, e.g. public office doors. *Hollow handle.*

2. DURABILITY [7]

200,000 cycles

3. TEST DOOR MASS [-]

No Classification

4. FIRE RESISTANCE [B]

Suitable for use on fire/smoke door assemblies (tested with 200,000 test cycles)

5. SAFETY [0]

Normal use

6. CORROSION RESISTANCE [3]

High Resistance – 96 hours of salt spray test

7. SECURITY [0]

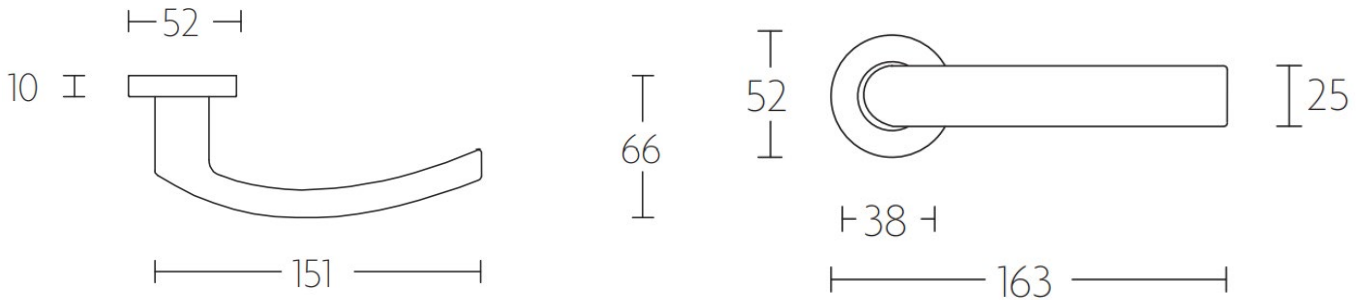
Not suitable for burglary resistant doors

8. TYPE OF OPERATION [B]

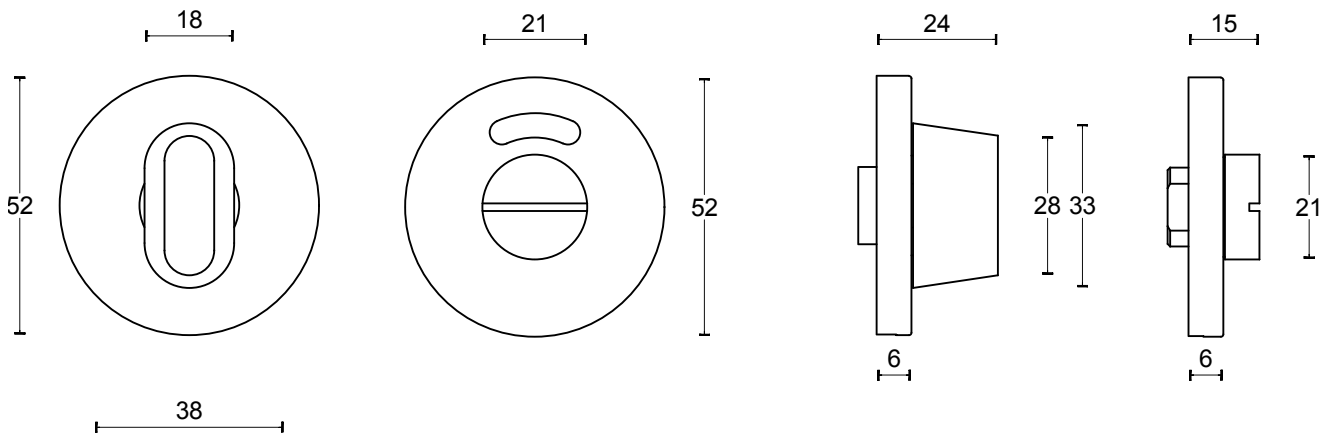
Spring Loaded levers

[View more info on FORMANI classifications](#)

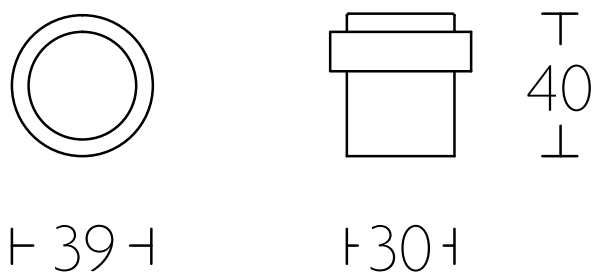
LB14



LBWC50



LB10



LBY50



Two Tease offers a range of lock options for handles.
Click on the boxes to see more information.

AGB LOCKS



[Click Here](#)

TUBULAR LATCH & PRIVACY BOLTS



[Click Here](#)