

BASICS LEVER (LB1)

FORMANI



Handle only available in Satin Stainless Steel



LB1-19

Lever Handle

19mm Ø lever, 135mm long sprung on a rose.

CODE

1501D040INXX0



LBWC50

Privacy

Round turn and release privacy set including 5/6/7/8mm pin with indication.

1501T020INXXU



LBWC50-ZI

Round turn and release privacy set including 5/6/7/8mm pin without indication.

1501T020INXXUZI



LB50

Escutcheons

Key Escutcheons

1501Y002INXX0



LB10

Doorstop

Floor-mounted

1501Z028INXX0

CLASSIFICATION

According to EN 1906: 2012

3	7	-	B	0	3	0	B
---	---	---	---	---	---	---	---

Code can be broken down into the following grade/ digits:

1. CATEGORY OF USE [3]

High frequency of use by public or others with little incentive to exercise care and with a high chance of misuse, e.g. public office doors. *Hollow handle.*

2. DURABILITY [7]

200,000 cycles

3. TEST DOOR MASS [-]

No Classification

4. FIRE RESISTANCE [B]

Suitable for use on fire/smoke door assemblies (tested with 200,000 test cycles)

5. SAFETY [0]

Normal use

6. CORROSION RESISTANCE [3]

High Resistance – 96 hours of salt spray test

7. SECURITY [0]

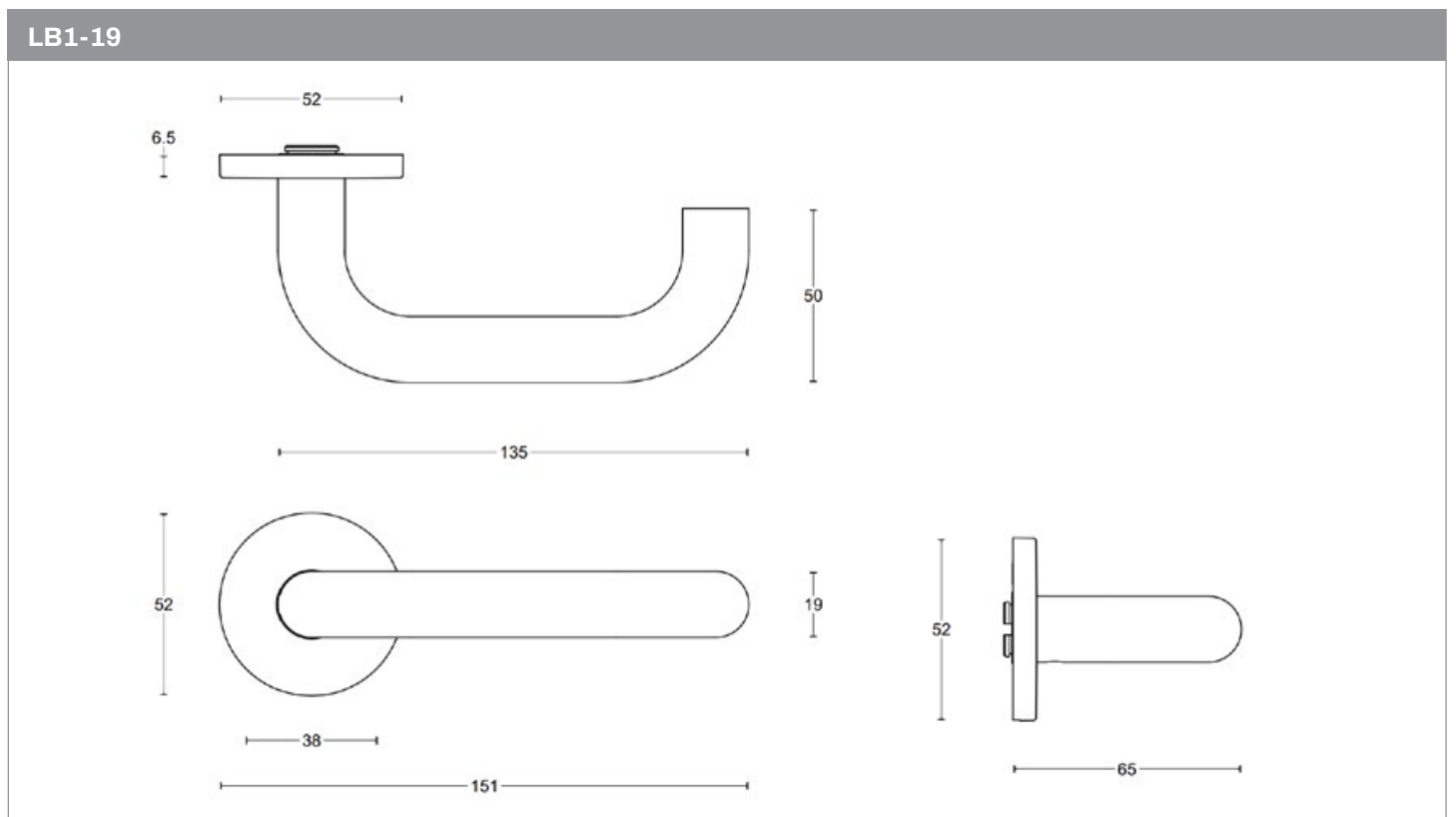
Not suitable for burglary resistant doors

8. TYPE OF OPERATION [B]

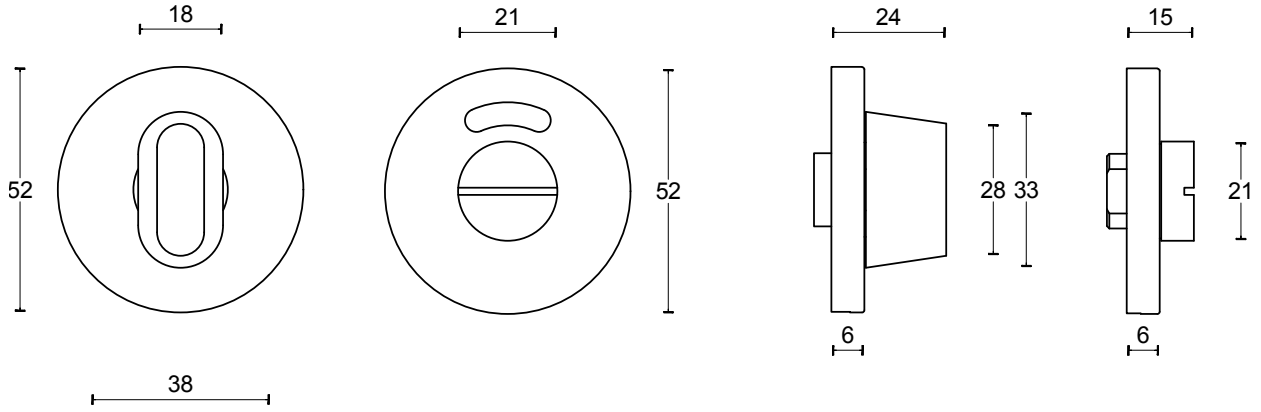
Spring Loaded levers

[View more info on FORMANI classifications](#)

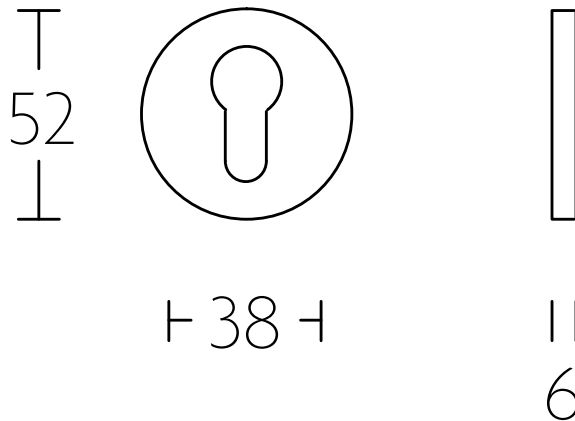
DRAWINGS



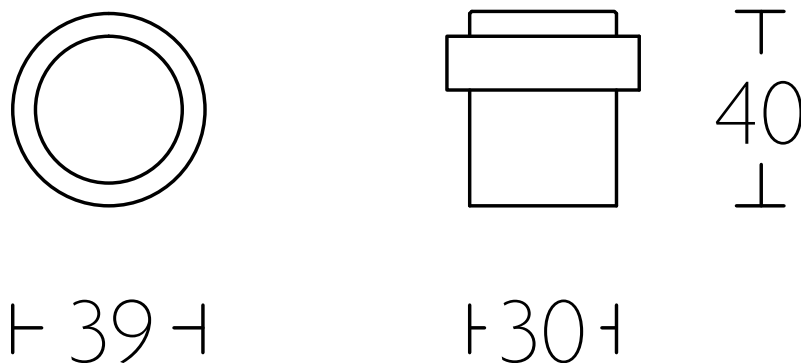
LBWC50



LBY50



LB10



Two Tease offers a range of lock options for handles.
Click on the boxes to see more information.

AGB LOCKS



[Click Here](#)

TUBULAR LATCH & PRIVACY BOLTS



[Click Here](#)