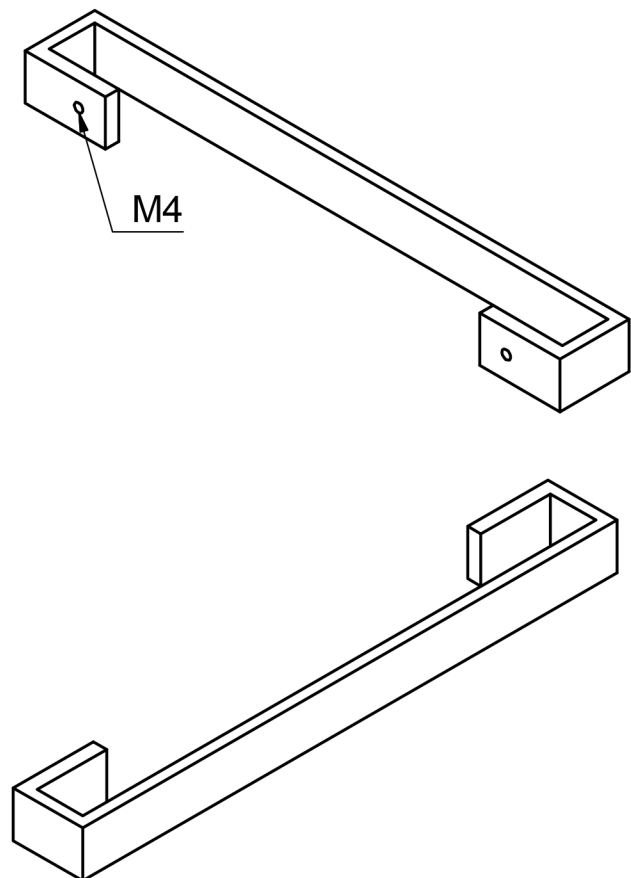
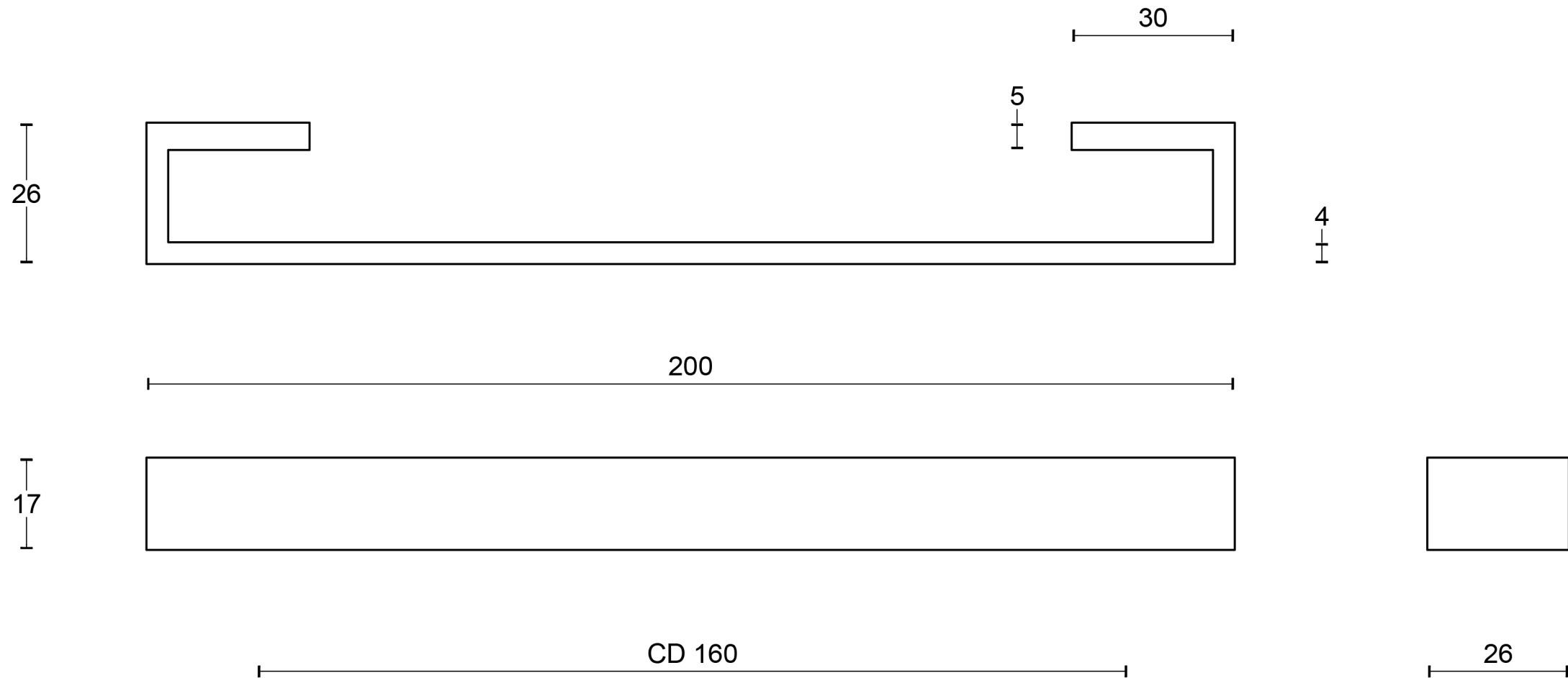


All information on the drawing is the property of Formani Holland B.V. and may not be copied, in any way whatsoever without obtaining the permission in writing from Formani Holland B.V.

BM20/160

solid cabinet handle
stainless steel



FORMANI®		Part number: 3204M001 BM20 160 V01	
		Description: BM20/160	Format: A3
Doc no.:	3204M001 BM20 160 V01.dwg		
Drawn by:	Christian Brimbois	Creation date:	7-10-2013
Formani Holland B.V.		Formani FROM TWO TEASE ARCHITECTURAL HARDWARE www.twotease.com.au info@twotease.com.au	