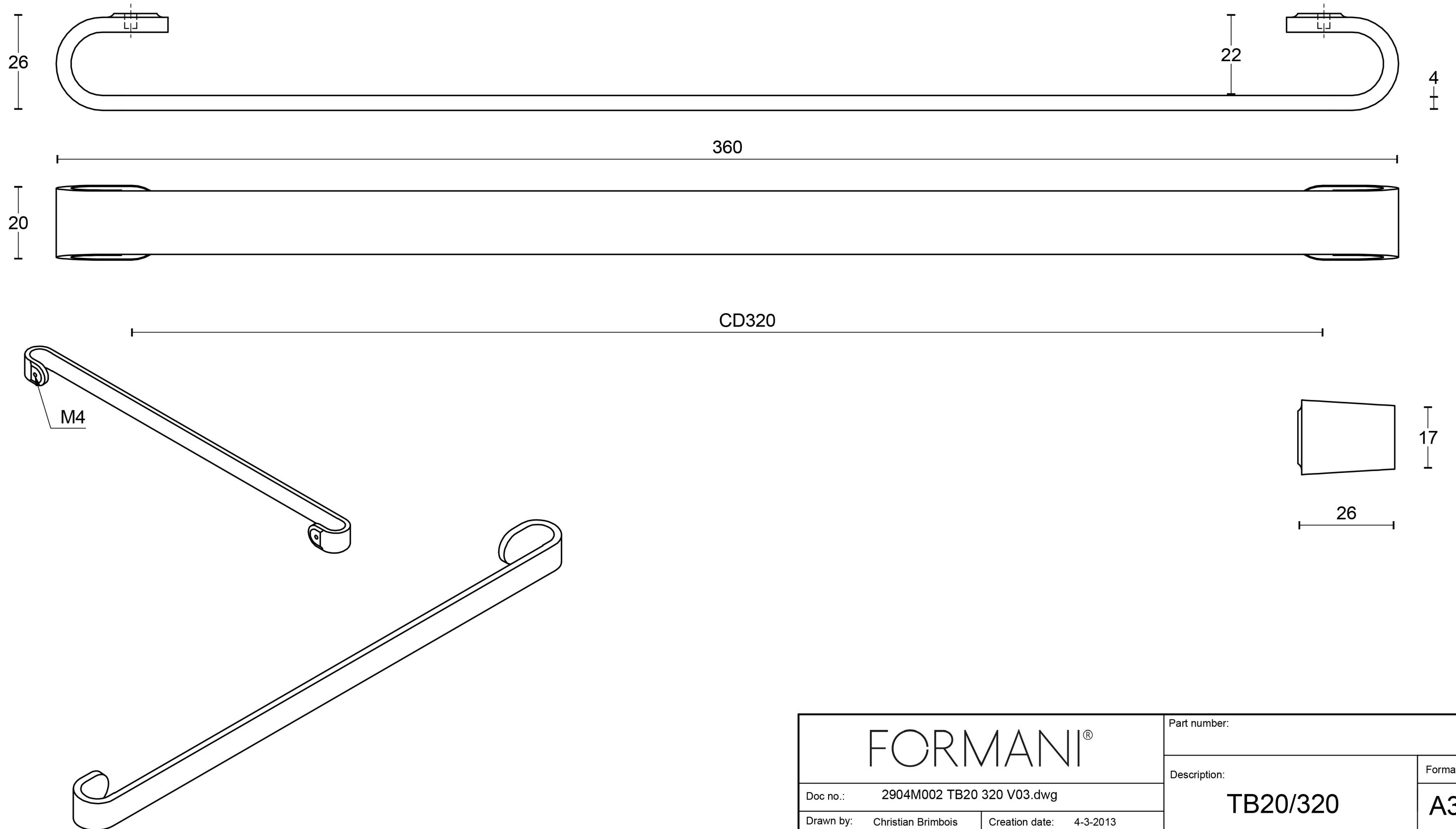


All information on the drawing is the property of Formani Holland B.V. and may not be copied, in any way whatsoever without obtaining the permission in writing from Formani Holland B.V.

**TB20/320**

accessory  
solid cabinet handle  
stainless steel



<b>FORMANI</b> <sup>®</sup>		Part number:	
		<b>TB20/320</b>	
Doc no.:	2904M002 TB20 320 V03.dwg	Description:	Format:
Drawn by:	Christian Brimbois	Creation date:	4-3-2013
Formani Holland B.V.		Formani FROM TWO TEASE ARCHITECTURAL HARDWARE	
www.twotease.com.au info@twotease.com.au			