



# POLARIS 2XT

AGB MAGNETIC LOCKS

## ONE LATCH - Two Functions

Magnetic flush-mounted latch lock. The central latch is in plastic material, with the same colour of the forend. Whilst the lock is engaged, it secures the latch which also makes it function as a bolt. In this state, the handle's movement is not restricted.


The lock features no protrusion on the forend, thanks to the latch which is entirely retracted into the casing. Completely sealed lockcase edges prevent penetration of wood chips or dust into the internal mechanisms. Steel case and cover in zinc plated steel.


## Application


The symmetrical, magnetic latch makes the lock right/left handed.

## Mounting

Cut a slot and include a milled component on the panel (dimensions in drawing). Fix the lock with two screws (3,5x20 mm).

 **Lock Type**  
Euro Lock  
WC Lock

 **Axis**  
85 mm (Euro)  
96 mm (WC)

 **Backsets**  
50mm  
60mm

 **Material**  
Steel

 **Steel Forend**  
Round End  
18 mm

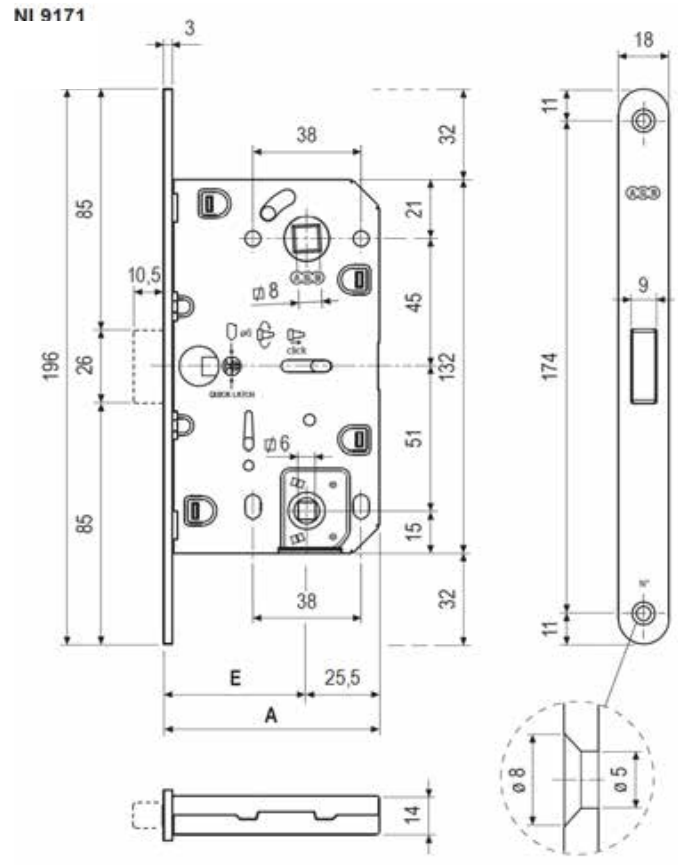
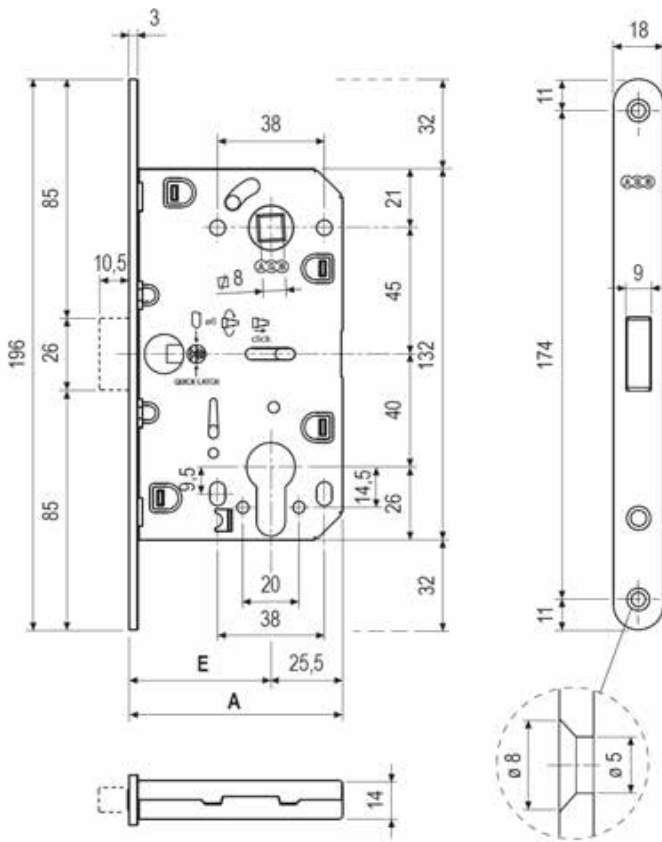
 **Hub**  
8mm



EURO



WC (BATHROOM/PASSAGE)



E	A
35,5	61
50,5	76
60,5	86

E	A
35,5	61
50,5	76
60,5	86

**Tested 500, 000 times**

This smart magnetic wins against the most difficult weather conditions. Created with innovative materials to ensure the lock function even in extreme humidity, dust and chemical agents.

**60mm Backset**

8mm Hub 18 x 196mm  
Round Forend

**PASSAGE/BATHROOM MAGNETIC LOCK**

B06102.60.XX



**Nickel Plate** B06102.60.06



**Matt Black** B06102.60.93



**Matt Chrome Plated** B06102.60.34

**50mm Backset**

8mm Hub 18 x 196mm  
Round Forend

**PASSAGE/BATHROOM MAGNETIC LOCK**

B06102.50.XX



**Nickel Plate** B06102.50.06



**Satin Nickel** B06102.50.13



**Matt Chrome** B06102.50.34



**Antique Brass** B06102.50.12



**Enamelled Bronze** B06102.50.22



**Enamelled Brass** B06102.50.03



**Matt White** B06102.50.FM



**Matt Black** B06102.50.93

**50mm Backset**

8mm Hub 18 x 196mm  
Round Forend

**EURO CYLINDER MAGNETIC LOCK**

B06102.50.XX



**Nickel Plated** B06103.50.06



**Satin Nickel** B06103.50.13



**Matt Chrome** B06103.50.34



**Antique Brass** B06103.50.12



**Enamelled Bronze** B06103.50.22



**Enamelled Brass** B06103.50.03



**Matt White** B06103.50.FM



**Matt Black** B06103.50.93

**STRIKER OPTIONS**

**EASY-MATIC STRIKER**

Magnetic | Adjustable



**Antique Brass Plated**  
B01402.90.12

**Dust Box - Matt Black**  
B02402.17.93

**Description**

Magnetic striker with rounded edge. Minimalist, linear design ensures that it is practically invisible on the door frame. It can be adjusted (up to 1.2 mm) by turning the striker 180°.

**Application**

Installed onto doors with wooden frames (rebated and flush).

\*Easy-Matic striker only available in Antique Brass

More stiker options on the next page >

## MINIMAL PLUS XT STRIKER

Magnetic | Adjustable

### Available Finishes



**Matt Chrome Plated**

B02402.28.34



**Nickel Plated**

B02402.28.06



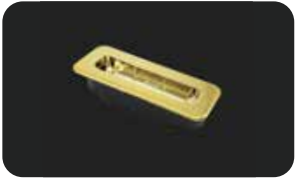
**White**

B02402.28.91



**Matt Black**

B02402.28.93



**Enamelled Brass**

B02402.28.03

### Description

Minimalist and linear design, it is an adjustable striker which is very discreetly installed on the door frame.

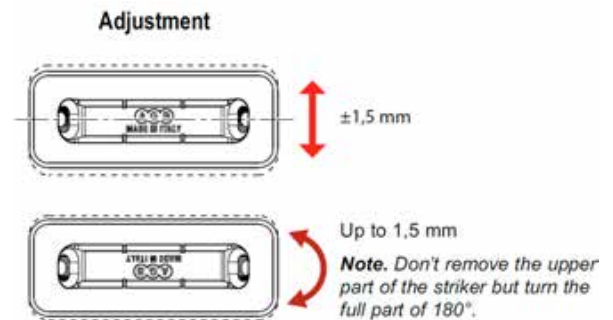
Minimal Plus XT is adjustable up to  $\pm 1.5$  side-to-side horizontally of if additional adjustment is required, you can achieve a further 1.5mm of adjustment by turning the cover tray.

### Application

To be coupled on doors with wooden frame (rebated and flush). The slanted walls of the striker ensure match with the lock latch, for perfect closing.

### Mounting

For mounting, use two screws (3.5x20 mm).



## MINIMAL XT STRIKER

Magnetic | Adjustable

### Available Finishes



**Antique Brass Plated**

B02402.05.12

\*Minimal XT striker only available in bronze.

### Description

Striker with rounded edge. Minimalist, linear design ensures that it is practically invisible on the door frame. It can be adjusted (up to 1.5 mm) by turning the striker 180°.

### Application

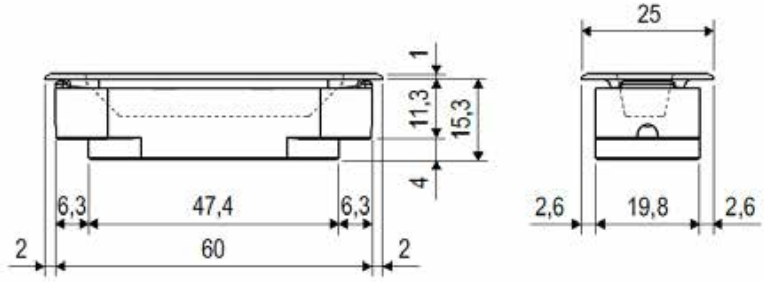
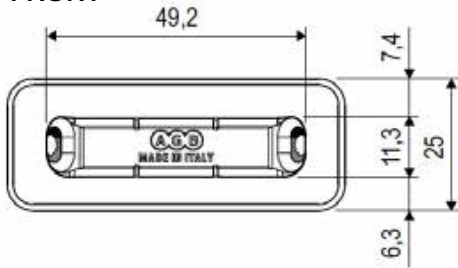
Installed onto doors with wooden frames (rebated and flush). The slanted walls of the striker ensure match with the lock latch, for perfect closing.

### Mounting

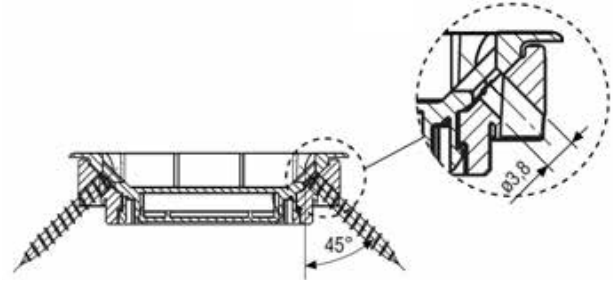
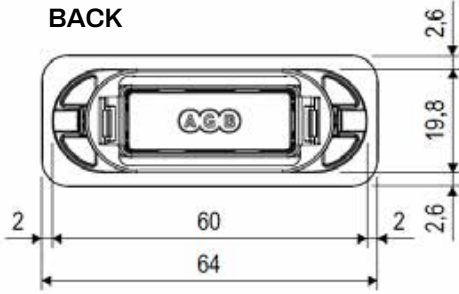
Apply a milled component to the frame (dimensions in drawing). For mounting, use two screws (3.5x20 mm).

MINIMAL PLUS XT STRIKER

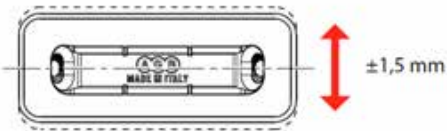
FRONT



BACK

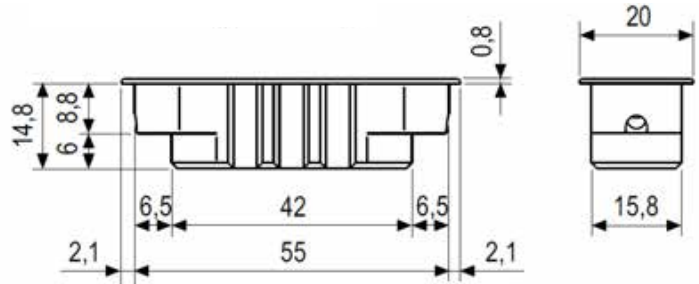
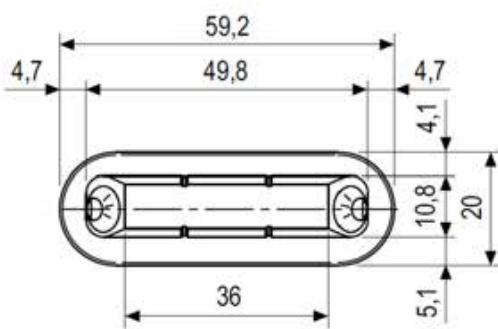


Adjustment

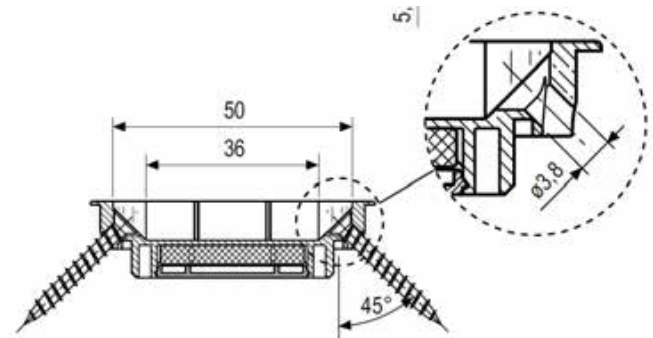
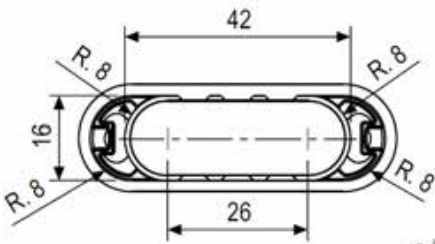


MINIMAL XT STRIKER

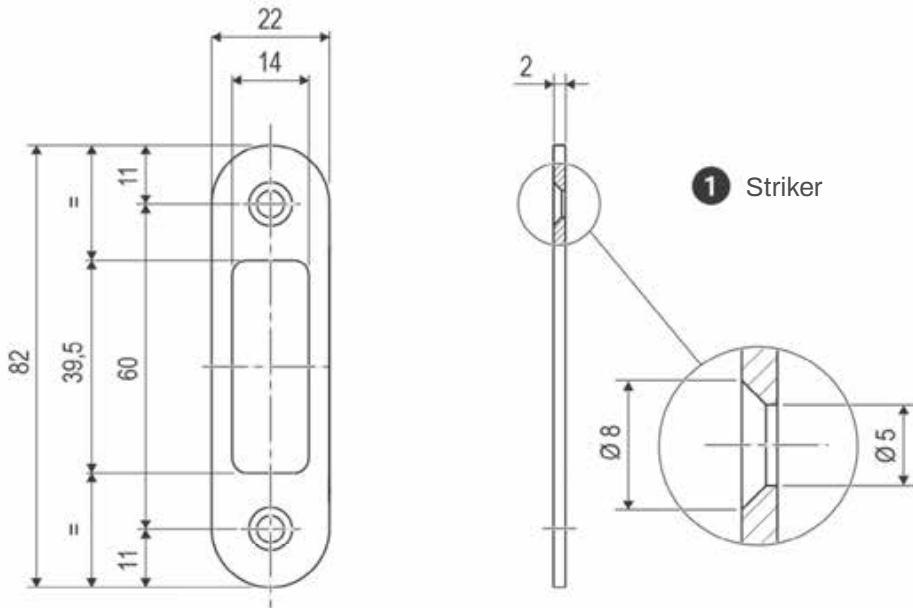
FRONT



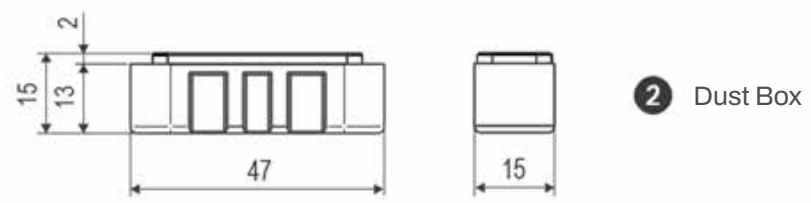
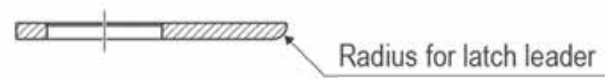
BACK



EASY-MATIC STRIKER



**1** Striker



**2** Dust Box

