



# SELF CLOSING



## ECLIPSE 3.2 HD SELF

Self-closing hinge for  
flush wooden doors  
and aluminium doors

MADE IN ITALY

[www.twotease.com.au](http://www.twotease.com.au)



Self-closing  
system



For internal  
doors



The millings of the  
Eclipse 3.2 hinges  
adding the spring milling



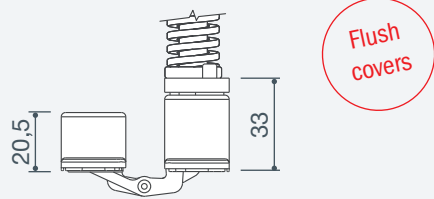
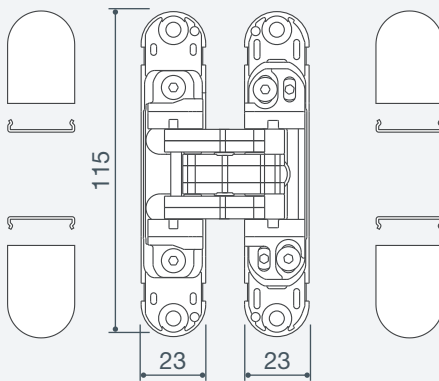
Wide adjustments



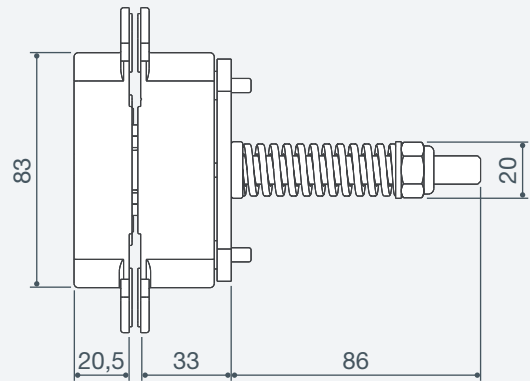
Flush covers

[info@twotease.com.au](mailto:info@twotease.com.au)

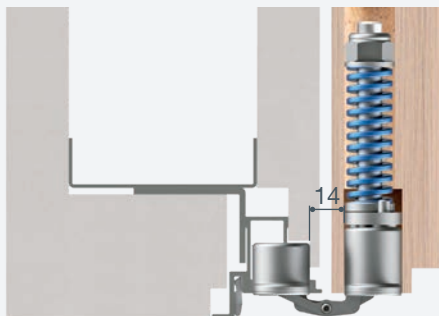
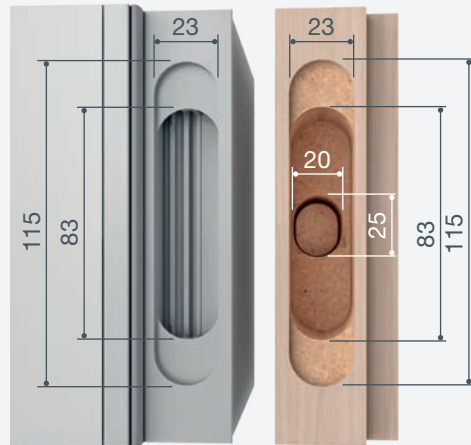
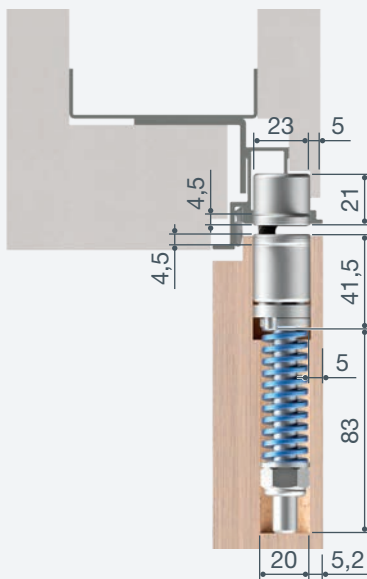
Frame part      Sash part



Frame part      Sash part

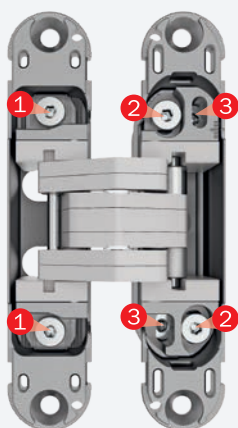


## Milling layout



### One milling, many solutions!

The standardised milling for the frame part allows to use the range of hinges Eclipse 3.2 and Eclipse 3.2 HD.



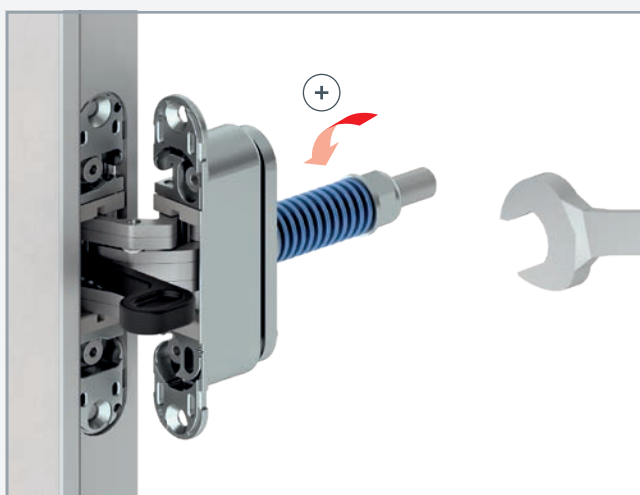
## Hinge adjustments

The adjustments of Eclipse HD Self are extremely stable onwards, thanks to a rear hooking system which blocks the position in many points.

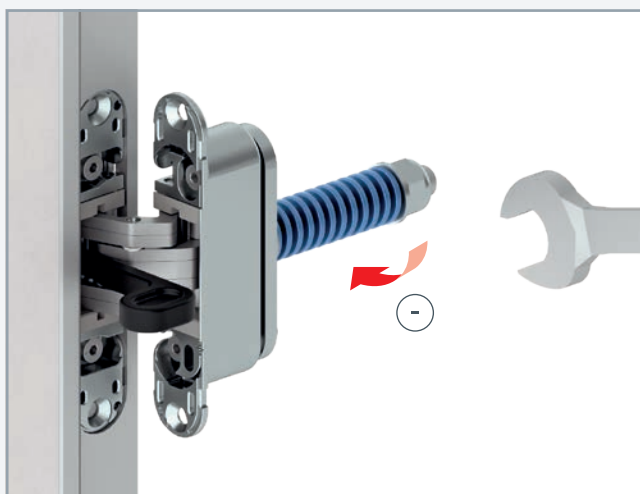
Adjustments:

- Pressure:  $\pm 1$  mm **1**
- Vertical:  $\pm 2$  mm **2**
- Horizontal:  $\pm 1,5$  mm **3**

## Adjustments of the closing system



To reach a higher closing force, load the spring turning the nut in a counterclockwise using a 17 mm wrench.



To reach a lower closing force, turn the nut in a clockwise to download the spring.



Open, Close, Live

**T** | TWO TEASE  
ARCHITECTURAL HARDWARE

MADE IN ITALY