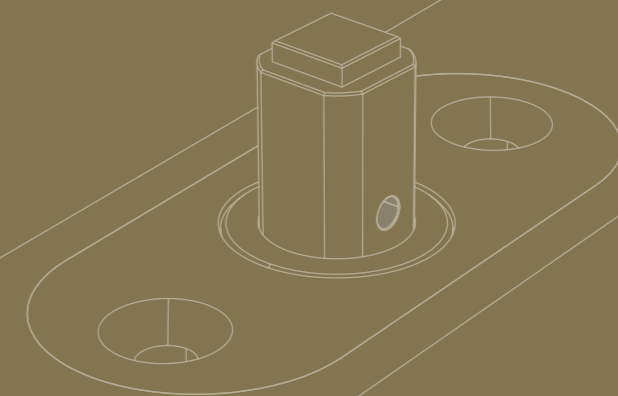




02

PIVOTING HINGES

The choice of pivoting interior doors is mainly a matter of taste. Fitting flush to the wall, the appearance is appealing even when the pivoting door is open. Thanks to their compact size, pivoting hinges can even be used for floor-to-ceiling doors. The fact that the pivot point can be chosen at will, making room for creativity, especially with the fact that no door frame is needed and the door can therefore be placed perfectly flush with the wall. With the hinge system integrated into the doorleaf, this always represents a perfect solution both for new buildings as well as refurbishments, also in combination with underfloor heating.





argenta
PIVOTICA PRO

The argenta® pivotica pro allows interior doors to be opened through 150° in both directions. Thanks to an active closure damper, the door always returns to its zero position. This keeps the door perfectly flush with the wall, ensuring there are no interruptions to the sleek design of the wall. An optional 90° holding position can also be fitted, allowing the door to remain open in both directions without the need for a doorstop.

argenta pivotica pro

When floor-mounted, the pivotica pro is perfectly suited for installation in a fully finished door opening. It can also be built in* to the floor for minimal door clearance at the bottom. The exact position of the pivotica can be chosen at will, meaning the hinge can be fitted either centrally, off-centre, or at the corner of the door.

Lastly, the argenta® pivotica pro is fully compliant with the EN1154 standard for door closure mechanisms. The argenta pivotica pro is also available in a 30-minute fire-resistant version with a special interdens kit. For door heights of 2500 mm upwards, we recommend using an argenta magnetica pro (contactless magnetic door closure mechanism, p.48).

What are the benefits ?

Ease of use

- Easy surface-mounted or built-in installation
- Opening angle in both directions up to 150°
- With or without holding position at 90° in both directions
- Safe for underfloor heating applications (when floor-mounted)
- Free choice of pivot position (hinge point)
- Adjustable alignment (straight alignment)
- Adjustable bottom plate

Durability and safety

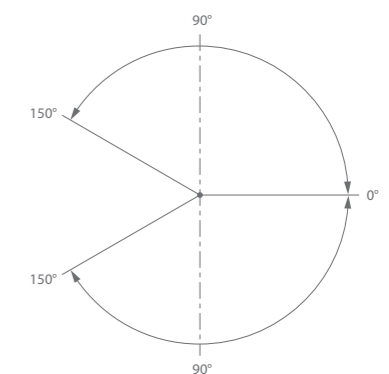
- Child-friendly (easy to open)
- Complies with EN1154 standard for door closing mechanisms

Aesthetics

- Invisible
- Available for floor-to-ceiling-height doors
- Invisible door closer
- Black caps (incl. black screws) available as an option

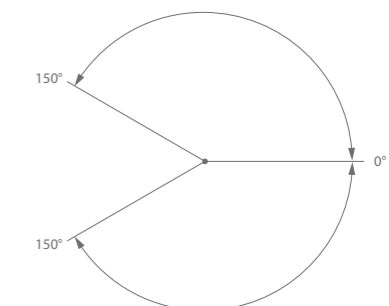
Holding positions

F90 = -90° / 0° / +90°



F0 = 0°

(always returns to closed positions)



argenta pivotica pro

Technical features



FM (= FLOOR MOUNTED)	pivotica pro 100 FM	pivotica pro 150 FM
Door weight	Max. 100 kg	Max. 150 kg
Door thickness	Min. 40 mm - Max. 100 mm	Min. 50 mm - Max. 100 mm
Door width*	2000 mm	< 100 kg = 2500 mm > 100 kg = 2000 mm
Door height	3000 mm	3000 mm
Width adjustment	- 3 / + 3 mm	- 3 / + 3 mm
Depth adjustment	- 3 / + 3 mm	- 3 / + 3 mm
Height adjustment	/	/
Alignment	- 4 / + 4 °	- 4 / + 4 °
Holding position	0° (= F0) or -90° / 0° / 90° (= F90)	0° (= F0) or -90° / 0° / 90° (= F90)
Bottom door clearance	13 mm	13 mm

BI (= BUILT IN)	pivotica pro 100 BI	pivotica pro 150 BI
Door weight	Max. 100 kg	Max. 150 kg
Door thickness	Min. 40 mm - Max. 100 mm	Min. 50 mm - Max. 100 mm
Door width*	2000 mm	< 100 kg = 2500 mm > 100 kg = 2000 mm
Door height	3000 mm	3000 mm
Width adjustment	- 3 / + 3 mm	- 3 / + 3 mm
Depth adjustment	- 3 / + 3 mm	- 3 / + 3 mm
Height adjustment	+ 6 mm	+ 6 mm
Alignment	- 4 / + 4 °	- 4 / + 4 °
Holding position	0° (= F0) or -90° / 0° / 90° (= F90)	0° (= F0) or -90° / 0° / 90° (= F90)
Bottom door clearance	Min. 5 - Max. 11 mm	Min. 5 - Max. 11 mm

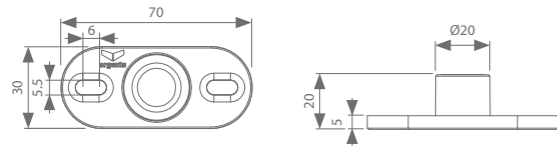
* = with a central position

NAMING SYSTEM	Door weight	Montagesituatie	Holding position
pivotica pro	100	FM	F90
	100	FM	F0
	100	BI	F90
	100	BI	F0
pivotica pro	150	FM	F90
	150	FM	F0
	150	BI	F90
	150	BI	F0

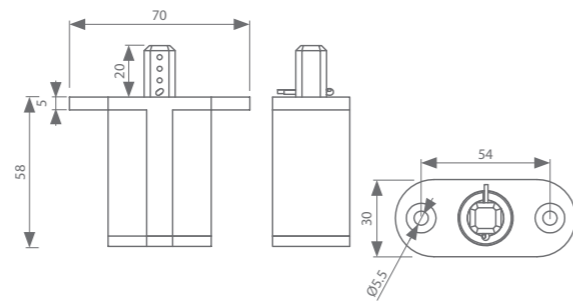
argenta pivotica pro

Technical drawings pivotica pro 100

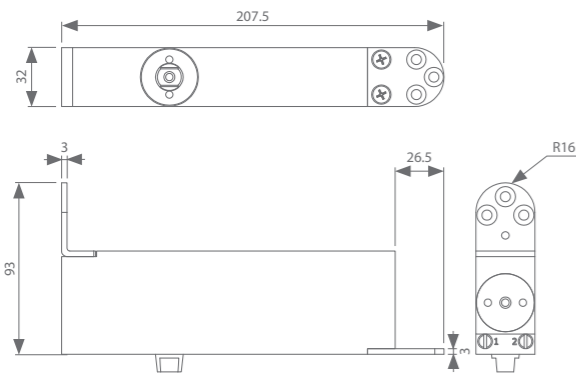
Top parts of door opening



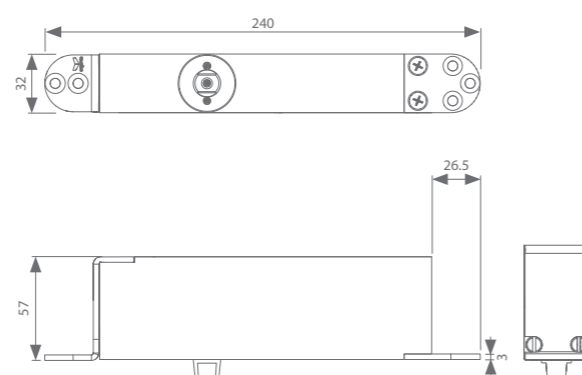
Top part of door



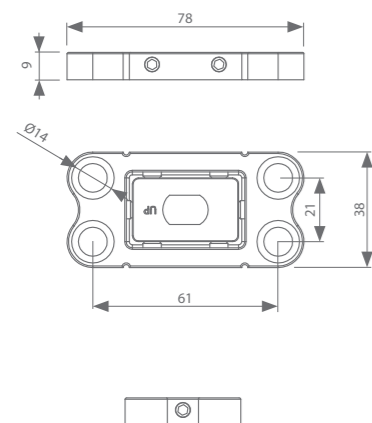
Bottom part door - corner position



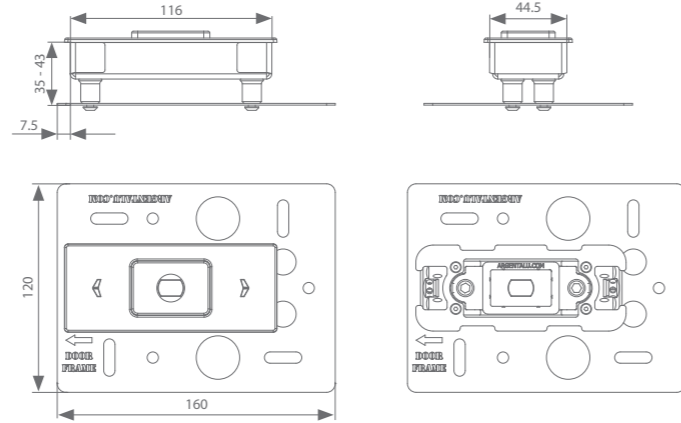
Bottom part door - centre or off-centre position



Bottom part of floor - Floor-mounted (= FM)

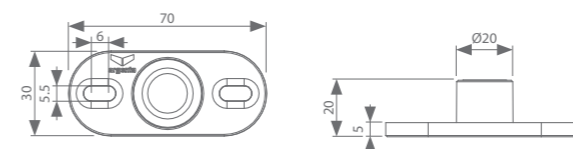


Bottom part of floor - Built-in (= BI)

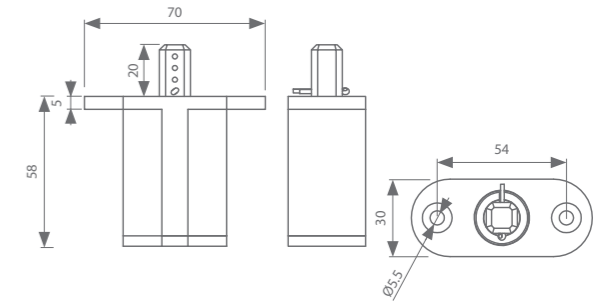


Technical drawings pivotica pro 150

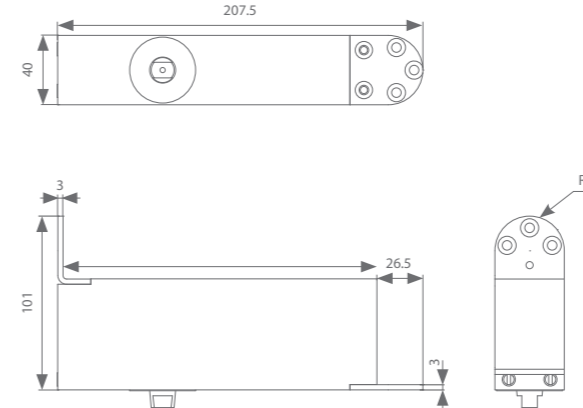
Top part of door opening



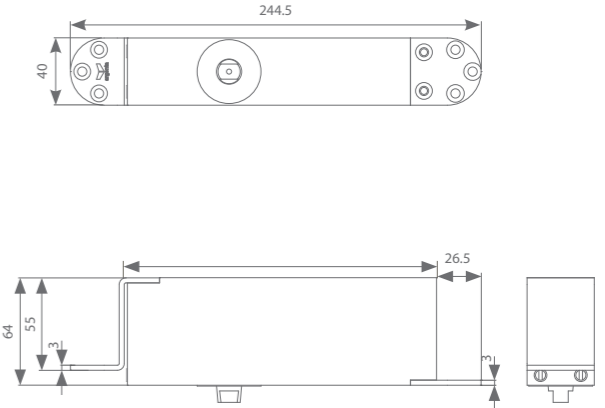
Top part of door



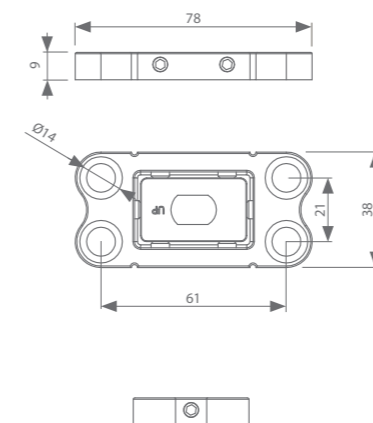
Bottom part of door - corner position



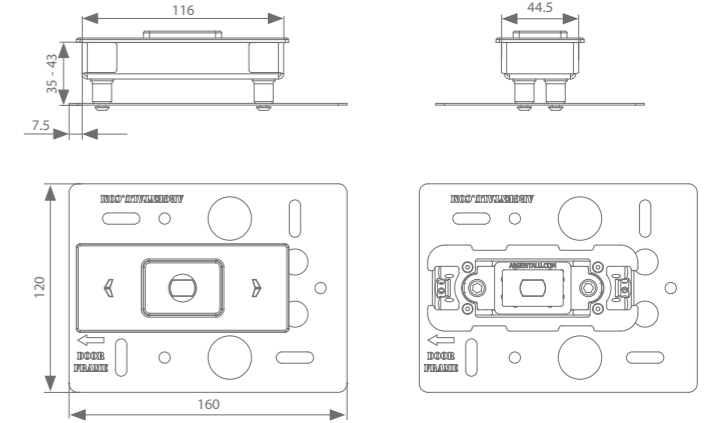
Bottom part of door - centre or off-centre position



Bottom part of floor - Floor-mounted (= FM)



Bottom part of floor - Built-in (= BI)





argenta
PIVOTICA

The argenta® pivotica is thanks to its compact size not only easy to mount in the door, the pivot hinge can also be installed in pivoting floor-to-ceiling-height doors. The innovative pivot hinge even allows for the pivot point on the door to be chosen freely (at a minimum of 40 mm from the side of the door); this way, wide doors can for instance rotate from the middle. The argenta pivotica is suitable for both left and right doors. Thanks to the argenta pivotica architects can use spaces and walls creatively, seeing how the pivot hinge does not require a door frame and the door can be aligned perfectly with the wall. All parts of this pivot hinge are rust-resistant. The argenta pivotica is suitable for indoor use of both modern residential buildings as well as public buildings and offices. The argenta pivotica is preferably used in combination with the argenta magnetica Pro, a contactless doormagnet. (p.48)

argenta pivotica

What are the benefits ?

Ease of use

- Easy installation
- Opening angle in both directions up to 150°
- Fixed settings at 90° in both directions
- Free choice of rotating position (hinge point)
- Adjustable outlining (straight outlining)
- Pivot system to be mounted in the doorpanel and not (as usual) in the floor or ceiling

Safety

- Child-friendly (easy to open)

Aesthetics

- Invisible
- Available for floor-to-ceiling-height doors
- Invisible door closer

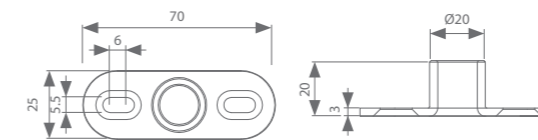
Technical features

pivotica	
Material	Aluminum + stainless steel
Finishes	Brushed Stainless Steel
Door thickness	min. 40 mm
Door weight	max. 45 kg
Door width	1500 mm
Door height	3000 mm

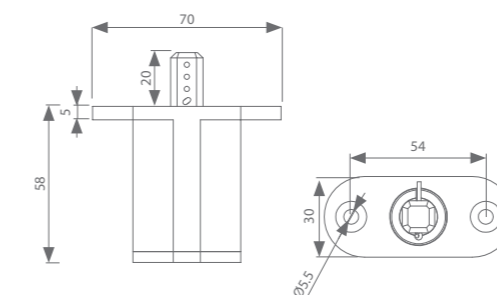


Technical drawings

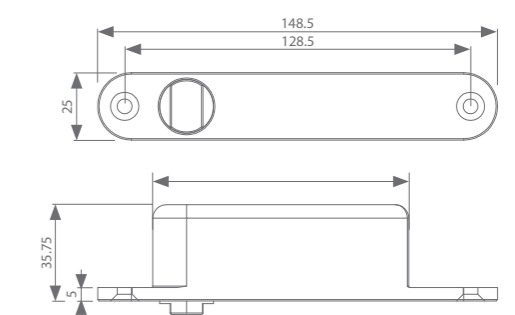
upper part door opening



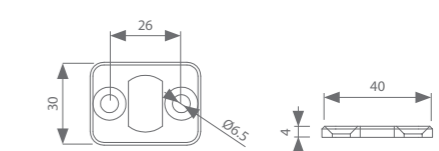
upper part door leaf



lower part door leaf



lower part floor





argenta
MAGNOTICA PRO

The magnotica pro is a magnetic and contactless door closer which holds interior doors shut without the need for a door handle or latch. Because there are no moving parts, the door can be opened and closed completely without making any noise.

argenta magnetica pro

The magnetica pro is a magnetic and contactless door closer that allows interior doors to be held in a fixed position without the need for a handle or lock. Because there are no moving parts, a door can be closed and opened completely silently. The magnetica pro is ideal in combination with all argenta pivoting hinges and the argenta® invisidoor door frames. The contactless door closer can be used both vertically (reveal of the door leaf) and horizontally (top of the door leaf) on any type of door frame.



White



Grey

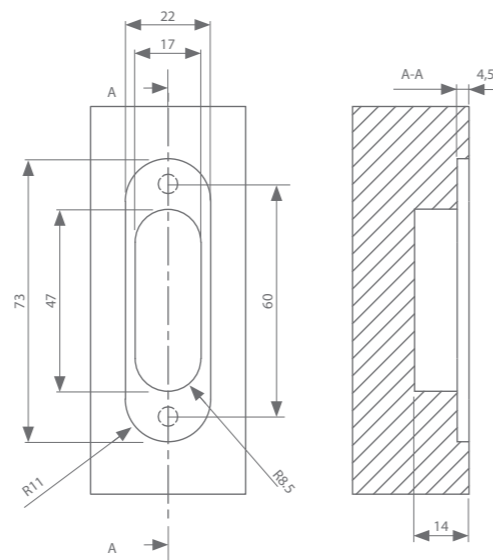


Black

What are the benefits ?

- No moving parts to wear out
- Silent mechanism due to no friction
- Door can be opened and closed noiselessly without a door handle or latch
- Doors are quick and easy to open and close
- Perfect integration in the argenta invisidoor DL or 2.0 possible
- Ideal for doors to walk-in closets or storerooms
- Perfect for keeping pivoting doors in their closed position
- Thanks to the extra cover plate the screws are concealed
- Available in white, black or grey

Technical drawing



Technical features

Clearance	Magnetic power
2 mm	Minimum 40 N
3 mm	Minimum 35 N
4 mm	Minimum 30 N

