



# INVISIBLE HINGES

**TWO TEASE**  
ARCHITECTURAL HARDWARE

**argenta**  
OPENING DOORS





ALL TECHNICAL DRAWINGS ARE SHOWN IN MILLIMETRES AND ARE SUBJECT TO CHANGE BY ARLU.

## ARLU, THE REFERENCE FOR OPENING DOORS

ARLU is the manufacturer behind the brand names argenta® and rob®. Argenta has been a leading brand in door hardware for over 100 years, but today it is mainly synonymous with invisible door systems.

Minimalist architecture swears by clean lines and a “back to the essence” mentality. In terms of interior doors, this results in integrated door fittings, invisible integrated techniques, door frames and skirting boards for revolving, sliding and pivoting doors.

Argenta stands for a full range of sleek interior solutions.

# 01

## INVISIBLE HINGES

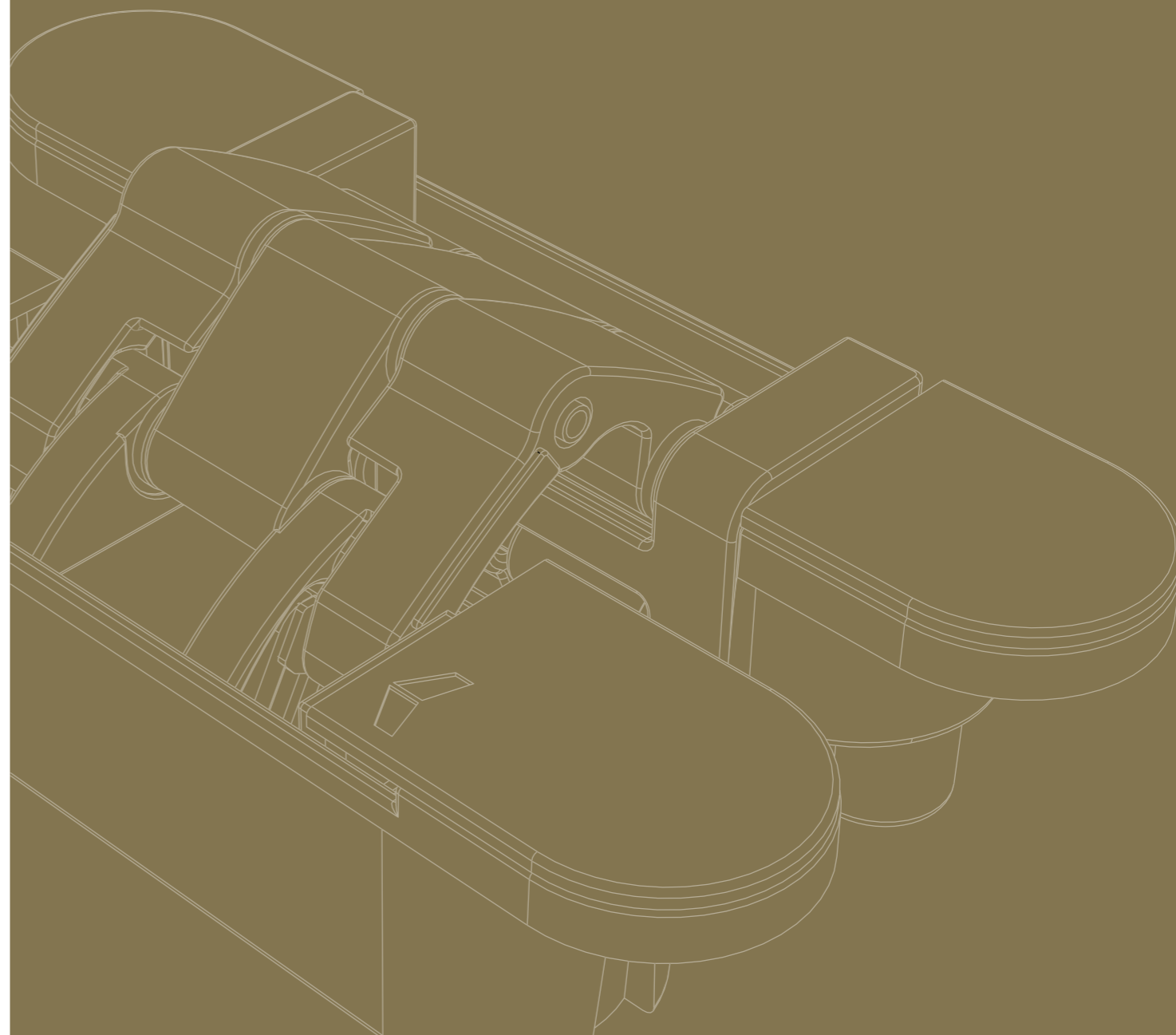
To strive for an aesthetic design for both rotating and pivoting doors the hinges should be concealed so that the door lines up with the wall. This flush effect can be achieved thanks to the patented argenta® invisible hinges. The hinges are completely concealed when the door is closed, while the door in open position on the crosscut side, will only reveal an elegant and pure design hinge. The simplified installation and adjustment will result in a quick and easy assembly.

## 01 INVISIBLE HINGES

- 4 invisible neo
- 12 invisible

## 02 PIVOTING HINGES

- 22 pivotica pro
- 30 pivotica
- 34 magnetica pro





argenta  
**INVISIBLE NEO**

Invisible Neo is the invisible hinge design par excellence. Even when the rotating interior door is open, not a single screw is visible. The hinges, available in the formats S-5, M-6 and L-7, can be mounted and adjusted quickly in three dimensions. This can be done by just one person, and the door does not need to be removed. Thanks to the simplified height adjustment, not even a wedge is needed any more. They can be used for interior doors that open up to 180° and are suitable for both left-opening and right-opening doors.



# argenta invisible neo



What are the benefits ?

## Ease of use

- Universal: for left and right-opening doors
- "Easy-hook": installation and 3D adjustment by one person
- 3D adjustable (height, width, and depth) without taking the door off
- Extra simplified height adjustment: no wedge required
- 180° opening angle

## Durability and safety

- Open and shutting movement cycle tests (min. 200,000)
- Fingers are protected because of the minimal space between the door and the frame
- Available in fireproof version of 30 or 60 minutes
- Fully mounted on plastic washers

## Aesthetics

- Pure and qualitative design
- No visible screws
- 3 sizes: S-5, M-6, L-7
- Available in different finishes



## Technical features

	invisible neo S-5	invisible neo M-6	invisible neo L-7
<b>Material</b>	Zamak	Zamak	Zamak
<b>Door thickness</b>	min. 33 mm	min. 36 mm	min. 40 mm
<b>Door thickness with max. front panel</b>	35 mm	40 mm	46 mm
<b>Overall depth</b>	26,5 mm (frame) / 30 mm (door)	30 mm (frame) / 32 mm (door)	33mm (frame) / 36mm (door)
<b>Dimensions (L x W)</b>	120 x 25 mm	140 x 28 mm	170 x 32 mm
<b>Installation and adjustment</b>	Easy-Hook	Easy-Hook	Easy-Hook
<b>Height adjustment<sup>1</sup></b>	-2,5 / +2,5 mm	-3,0 / +3,0 mm	-3,0 / +3,0 mm
<b>Width adjustment<sup>1</sup></b>	-3,0 / +4,0 mm	-3,0 / +4,0 mm	-3,0 / +4,0 mm
<b>Pressure<sup>1</sup> (depth adjustment)</b>	-1,0 / +1,0 mm	-1,5 / +1,5 mm	-1,5 / +1,5 mm
<b>Max. front panel (cladding) size</b>	5 mm	6 mm	7 mm
<b>Fire resistant<sup>2</sup></b>	E30, EI <sub>2</sub> 30, EI <sub>1</sub> 30, EW30	E60, EI <sub>2</sub> 60, EI <sub>1</sub> 60, EW60*	E60, EI <sub>2</sub> 60, EI <sub>1</sub> 60, EW60
<b>CE marking</b>	2 7 3 1 1 4 0 10	3 7 4 1 1 4 0 11a	4 7 5 1 1 4 1 12a
<b>Screw dia.</b>	SPAX - Z2 dia: max. 4,5	SPAX - Z2 dia: max. 5	SPAX - Z2 dia: max. 5

<sup>1</sup> = neutral position factory setting: standard of a 2 mm door margin.

<sup>2</sup> = fire resistant according to standard EN1634-1: 2008 and classified according to EN13501-2:2007 for use of wooden door with wooden doorframe, and for wooden door with stainless steel frame.

\* = Only valid for the Belgian market, for other markets applies E30, EI230, EI130, EW30.

## Weight table

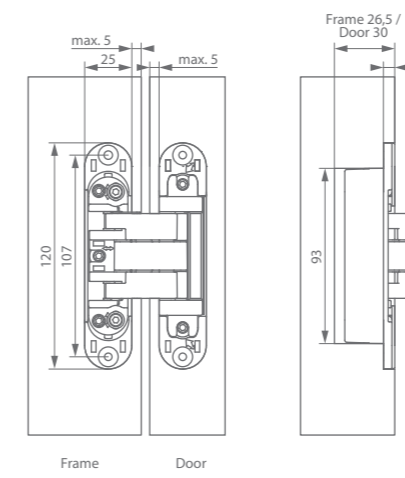
Type hinge	Number of hinges	invisible neo S-5		invisible neo M-6		invisible neo L-7	
		2	3	2	3	2	3
Max. door weight according to door width	730 mm	75 kg	95 kg	95 kg	115 kg	110 kg	160 kg
	830 mm	70 kg	90 kg	90 kg	110 kg	105 kg	155 kg
	930 mm	65 kg	85 kg	85 kg	105 kg	100 kg	150 kg
	1030 mm	60 kg	80 kg	80 kg	100 kg	95 kg	145 kg



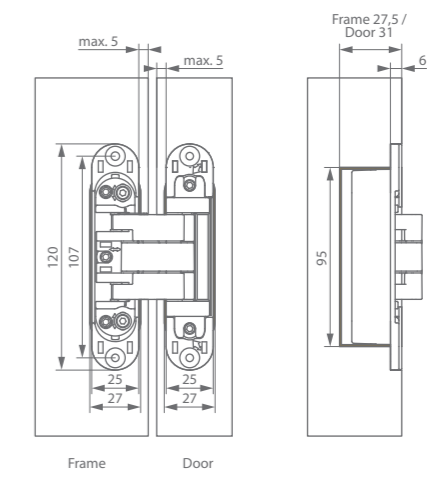
# argenta invisible neo

# Technical drawings

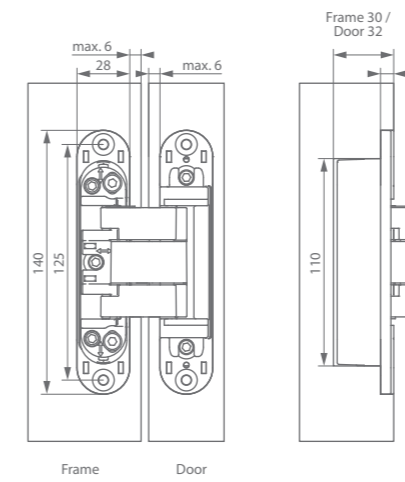
invisible neo S-5



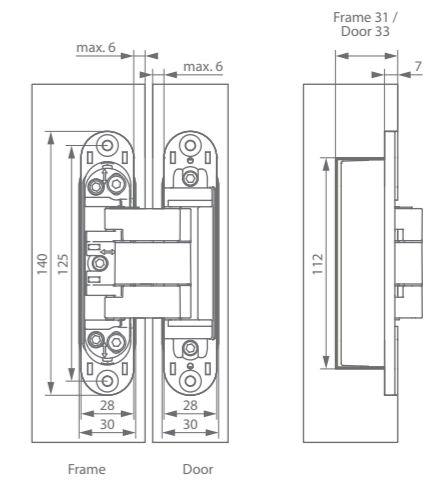
invisible neo S-5 fire resistant



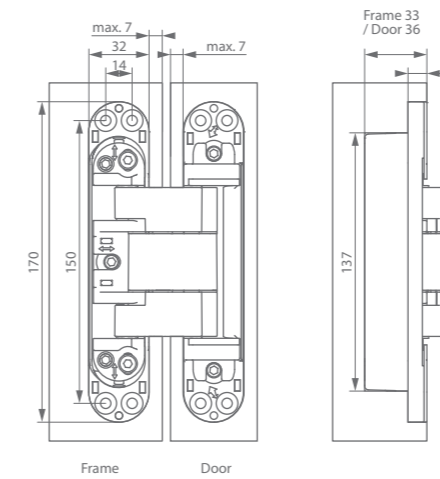
invisible neo M-6



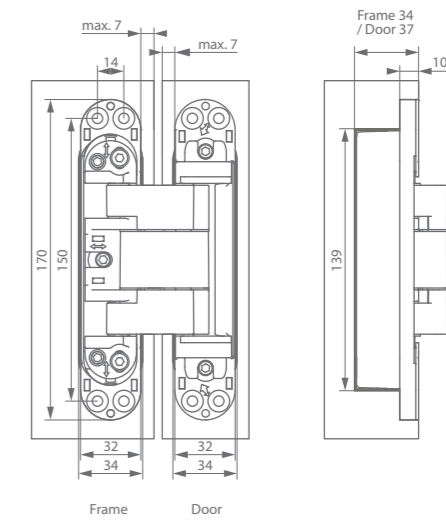
invisible neo M-6 fire resistant

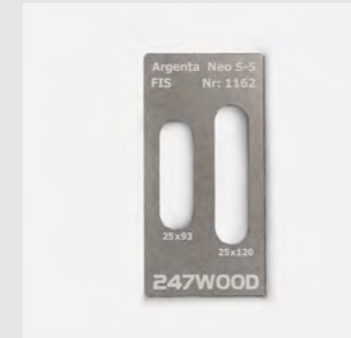


invisible neo L-7



invisible neo L-7 fire resistant





**247WOOD Hinge Template**

Argenta Invisible Neo S-5 Hinge Template developed by 247WOOD. Two Tease supplies a template kit to make installation of the hinge easier, faster and simpler.

**A basic kit consists of:**

- 1261 | FIS Basis set
- 1162 | 2 x Router templates

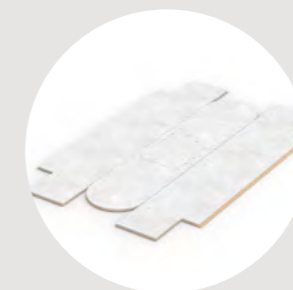
**Additional hinge templates** available for doors with more than 2 hinges

[See Product](#)



**Fixation plate and spacer rings**

If a wooden door frame is not thick enough to screw in a concealed hinge securely, securing plates with spacer rings provide a solution. The plate is placed on the back of the wooden door frame and the hinge on the front of the door frame. The spacer rings fill the remaining distance between the securing plate and the hinge. This is necessary to avoid damaging the door frame when the hinge is screwed on. Use a suitable combination to get the required spacing.



**Intumescent kit**

For non-residential buildings such as offices as well as residential buildings, building regulations lay down specific requirements regarding fire safety. To comply with these regulations, an argenta invisible hinge must be combined with an intumescent kit. ARLU supplies intumescent kits for 30 minutes that are tested and approved according to European standards.



**Connecting fitting**

An argenta invisible hinge can also be used in combination with a steel or stainless steel door frame. For this application, ARLU includes a suitably sized, stainless steel connecting fitting to secure the invisible hinge.

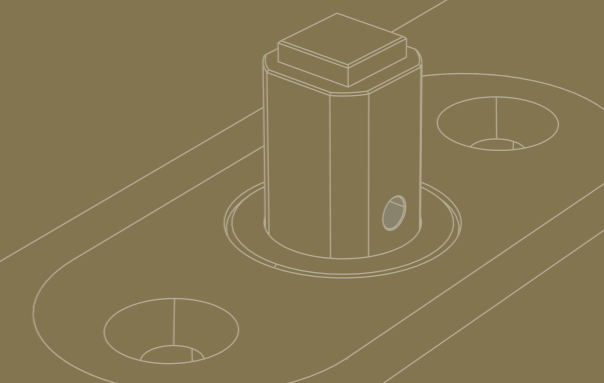
\* Suitable for doors with 3 hinges: if 4 hinges are to be fitted, an additional 2 x brushed aluminium insert plates + 2 x black plastic base plates must be ordered \*\* There is a specific brushed aluminium template (insert plate) per type of hinge. We don't deliver aluminium templates (filler plates) with the basic set of the universal milling template.



# 02

## PIVOTING HINGES

The choice of pivoting interior doors is mainly a matter of taste. Fitting flush to the wall, the appearance is appealing even when the pivoting door is open. Thanks to their compact size, pivoting hinges can even be used for floor-to-ceiling doors. The fact that the pivot point can be chosen at will, making room for creativity, especially with the fact that no door frame is needed and the door can therefore be placed perfectly flush with the wall. With the hinge system integrated into the doorleaf, this always represents a perfect solution both for new buildings as well as refurbishments, also in combination with underfloor heating.





---

argenta  
**PIVOTICA PRO**

The argenta® pivotica pro allows interior doors to be opened through 150° in both directions. Thanks to an active closure damper, the door always returns to its zero position. This keeps the door perfectly flush with the wall, ensuring there are no interruptions to the sleek design of the wall. An optional 90° holding position can also be fitted, allowing the door to remain open in both directions without the need for a doorstop.

---



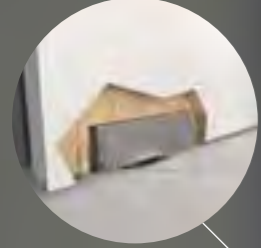


OR



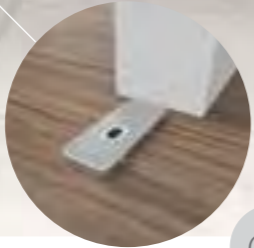
PIVOTICA PRO FM (FLOOR MOUNTED)

OR

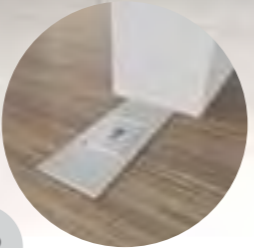


PIVOTICA PRO BI (BUILT IN)

PIVOTICA PRO FM (FLOOR MOUNTED)



OR



PIVOTICA PRO BI (BUILT IN)

## argenta pivotica pro

When floor-mounted, the pivotica pro is perfectly suited for installation in a fully finished door opening. It can also be built in\* to the floor for minimal door clearance at the bottom. The exact position of the pivotica can be chosen at will, meaning the hinge can be fitted either centrally, off-centre, or at the corner of the door.

Lastly, the argenta® pivotica pro is fully compliant with the EN1154 standard for door closure mechanisms. The argenta pivotica pro is also available in a 30-minute fire-resistant version with a special interdens kit. For door heights of 2500 mm upwards, we recommend using an argenta magnotica pro (contactless magnetic door closure mechanism, p.48).

### What are the benefits ?

#### Ease of use

- Easy surface-mounted or built-in installation
- Opening angle in both directions up to 150°
- With or without holding position at 90° in both directions
- Safe for underfloor heating applications (when floor-mounted)
- Free choice of pivot position (hinge point)
- Adjustable alignment (straight alignment)
- Adjustable bottom plate

#### Durability and safety

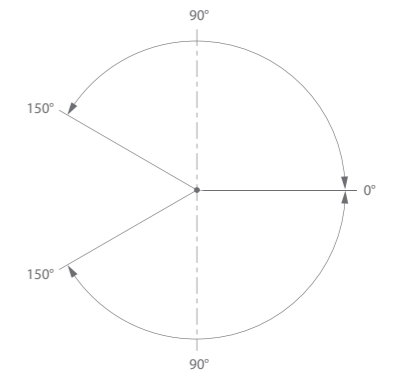
- Child-friendly (easy to open)
- Complies with EN1154 standard for door closing mechanisms

#### Aesthetics

- Invisible
- Available for floor-to-ceiling-height doors
- Invisible door closer
- Black caps (incl. black screws) available as an option

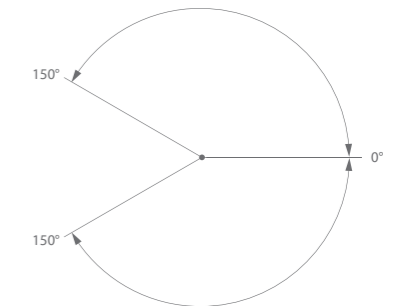
### Holding positions

**F90 = -90° / 0° / +90°**



**F0 = 0°**

(always returns to closed positions)





## argenta pivotica pro

## Technical features

FM ( = FLOOR MOUNTED )	pivotica pro 100 FM	pivotica pro 150 FM
Door weight	Max. 100 kg	Max. 150 kg
Door thickness	Min. 40 mm - Max. 100 mm	Min. 50 mm - Max. 100 mm
Door width*	2000 mm	< 100 kg = 2500 mm > 100 kg = 2000 mm
Door height	3000 mm	3000 mm
Width adjustment	- 3 / + 3 mm	- 3 / + 3 mm
Depth adjustment	- 3 / + 3 mm	- 3 / + 3 mm
Height adjustment	/	/
Alignment	- 4 / + 4 °	- 4 / + 4 °
Holding position	0° (= F0) or -90° / 0° / 90° (= F90)	0° (= F0) or -90° / 0° / 90° (= F90)
Bottom door clearance	13 mm	13 mm

BI ( = BUILT IN )	pivotica pro 100 BI	pivotica pro 150 BI
Door weight	Max. 100 kg	Max. 150 kg
Door thickness	Min. 40 mm - Max. 100 mm	Min. 50 mm - Max. 100 mm
Door width*	2000 mm	< 100 kg = 2500 mm   > 100 kg = 2000 mm
Door height	3000 mm	3000 mm
Width adjustment	- 3 / + 3 mm	- 3 / + 3 mm
Depth adjustment	- 3 / + 3 mm	- 3 / + 3 mm
Height adjustment	+ 6 mm	+ 6 mm
Alignment	- 4 / + 4 °	- 4 / + 4 °
Holding position	0° (= F0) or -90° / 0° / 90° (= F90)	0° (= F0) or -90° / 0° / 90° (= F90)
Bottom door clearance	Min. 5 - Max. 11 mm	Min. 5 - Max. 11 mm

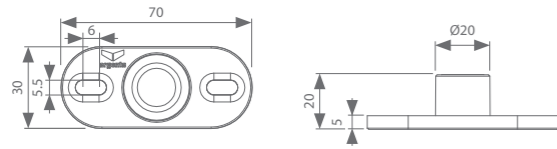
\* = with a central position

NAMING SYSTEM	Door weight	Montagesituatie	Holding position
pivotica pro	100	FM	F90
	100	FM	F0
	100	BI	F90
	100	BI	F0
pivotica pro	150	FM	F90
	150	FM	F0
	150	BI	F90
	150	BI	F0

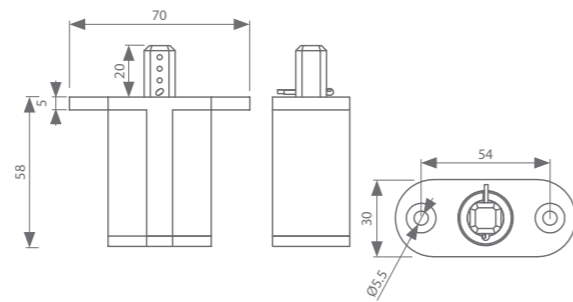
# argenta pivotica pro

## Technical drawings pivotica pro 100

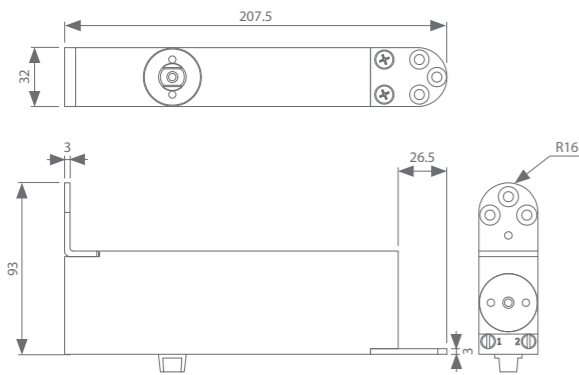
Top parts of door opening



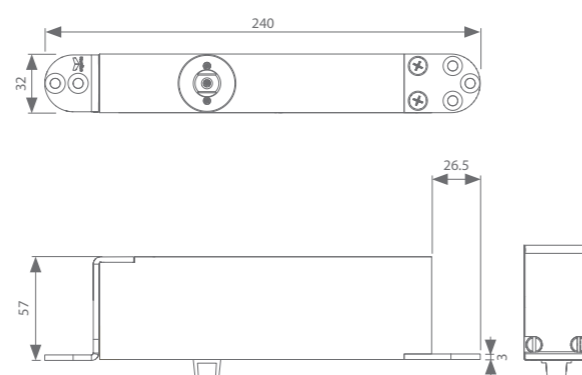
Top part of door



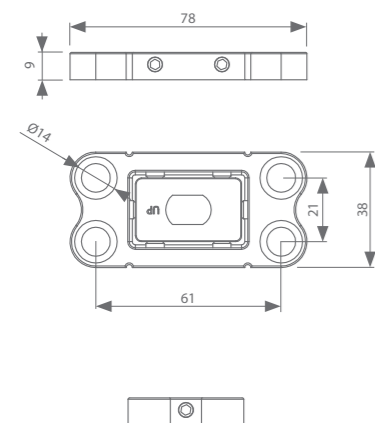
Bottom part door - corner position



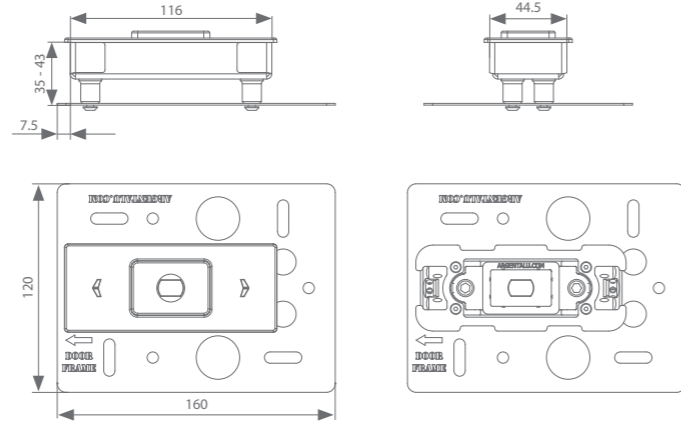
Bottom part door - centre or off-centre position



Bottom part of floor - Floor-mounted (= FM)

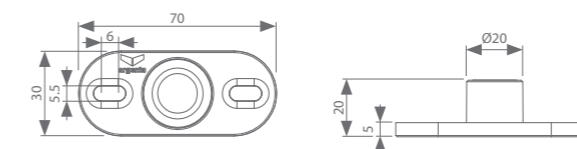


Bottom part of floor - Built-in (= BI)

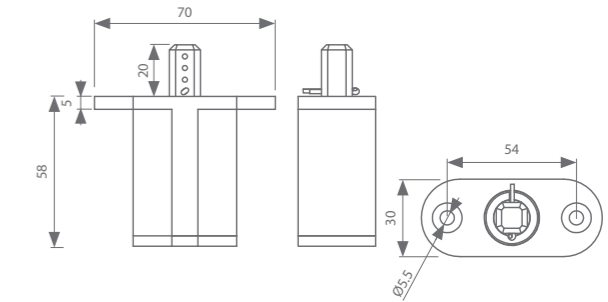


## Technical drawings pivotica pro 150

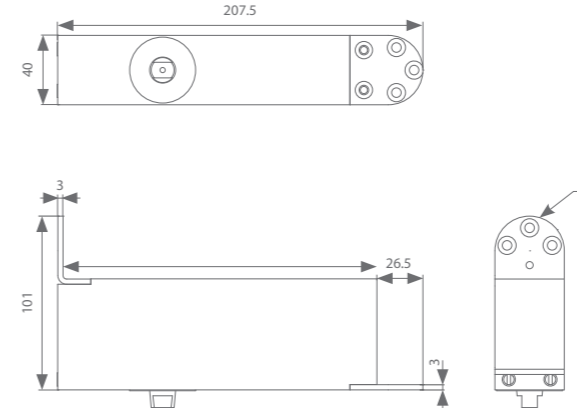
Top part of door opening



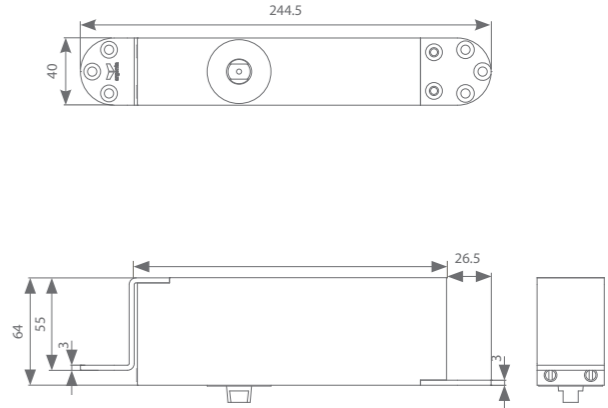
Top part of door



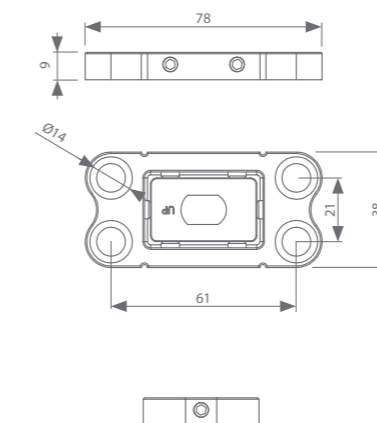
Bottom part of door - corner position



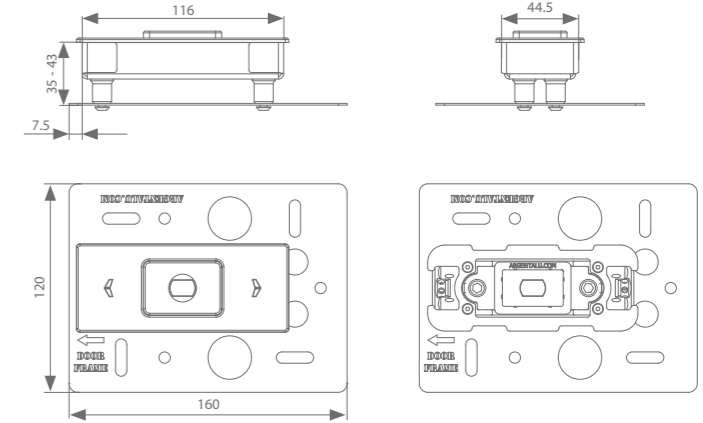
Bottom part of door - centre or off-centre position



Bottom part of floor - Floor-mounted (= FM)



Bottom part of floor - Built-in (= BI)





argenta  
**PIVOTICA**

The argenta® pivotica is thanks to its compact size not only easy to mount in the door, the pivot hinge can also be installed in pivoting floor-to-ceiling-height doors. The innovative pivot hinge even allows for the pivot point on the door to be chosen freely (at a minimum of 40 mm from the side of the door); this way, wide doors can for instance rotate from the middle. The argenta pivotica is suitable for both left and right doors. Thanks to the argenta pivotica architects can use spaces and walls creatively, seeing how the pivot hinge does not require a door frame and the door can be aligned perfectly with the wall. All parts of this pivot hinge are rust-resistant. The argenta pivotica is suitable for indoor use of both modern residential buildings as well as public buildings and offices. The argenta pivotica is preferably used in combination with the argenta magnetica Pro, a contactless doormagnet. (p.48)



## argenta pivotica

What are the benefits ?

### Ease of use

- Easy installation
- Opening angle in both directions up to 150°
- Fixed settings at 90° in both directions
- Free choice of rotating position (hinge point)
- Adjustable outlining (straight outlining)
- Pivot system to be mounted in the doorpanel and not (as usual) in the floor or ceiling

### Safety

- Child-friendly (easy to open)

### Aesthetics

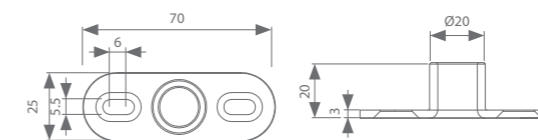
- Invisible
- Available for floor-to-ceiling-height doors
- Invisible door closer

Technical features

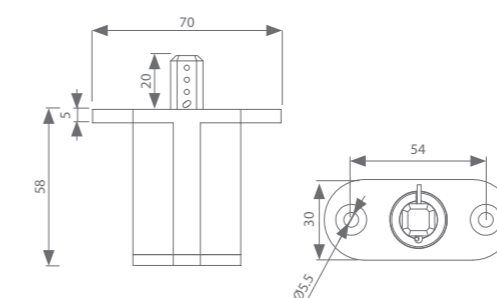
pivotica	
Material	Aluminum + stainless steel
Finishes	Brushed Stainless Steel
Door thickness	min. 40 mm
Door weight	max. 45 kg
Door width	1500 mm
Door height	3000 mm

Technical drawings

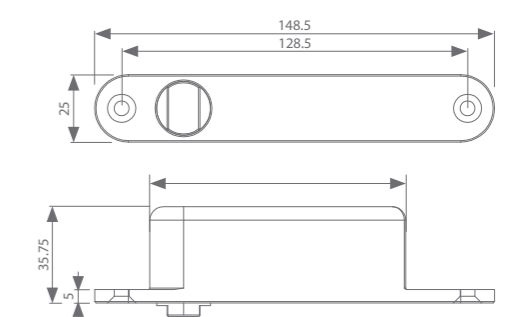
upper part door opening



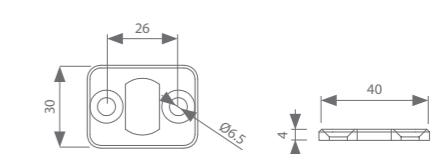
upper part door leaf



lower part door leaf



lower part floor





---

argenta  
**MAGNOTICA PRO**

The magnotica pro is a magnetic and contactless door closer which holds interior doors shut without the need for a door handle or latch. Because there are no moving parts, the door can be opened and closed completely without making any noise.

---

## argenta magnetica pro

The magnetica pro is a magnetic and contactless door closer that allows interior doors to be held in a fixed position without the need for a handle or lock. Because there are no moving parts, a door can be closed and opened completely silently. The magnetica pro is ideal in combination with all argenta pivoting hinges and the argenta® invisidoor door frames. The contactless door closer can be used both vertically (reveal of the door leaf) and horizontally (top of the door leaf) on any type of door frame.



White



Grey

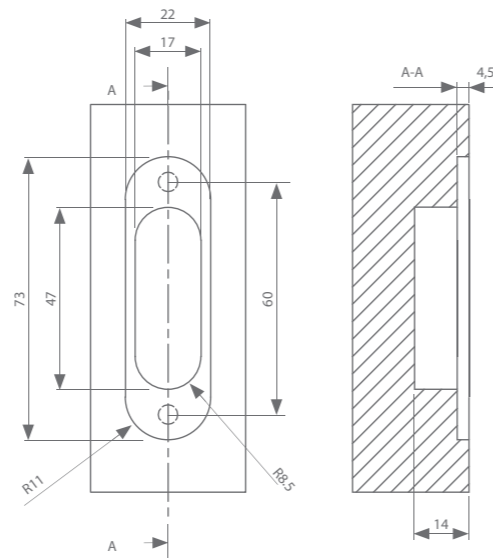


Black

### What are the benefits ?

- No moving parts to wear out
- Silent mechanism due to no friction
- Door can be opened and closed noiselessly without a door handle or latch
- Doors are quick and easy to open and close
- Perfect integration in the argenta invisidoor DL or 2.0 possible
- Ideal for doors to walk-in closets or storerooms
- Perfect for keeping pivoting doors in their closed position
- Thanks to the extra cover plate the screws are concealed
- Available in white, black or grey

### Technical drawing



### Technical features

Clearance	Magnetic power
2 mm	Minimum 40 N
3 mm	Minimum 35 N
4 mm	Minimum 30 N



**TT** | TWO TEASE  
ARCHITECTURAL HARDWARE

22/76 Reserve Rd 02 9437 9876  
Artarmon, NSW info@twotease.com.au  
2065 twotease.com.au

**ARLU**  
OPENING DOORS

