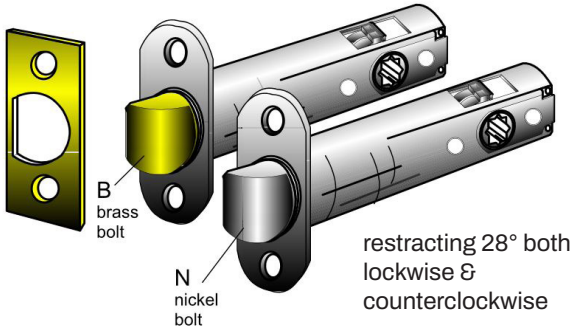


HEAVY DUTY LATCHES

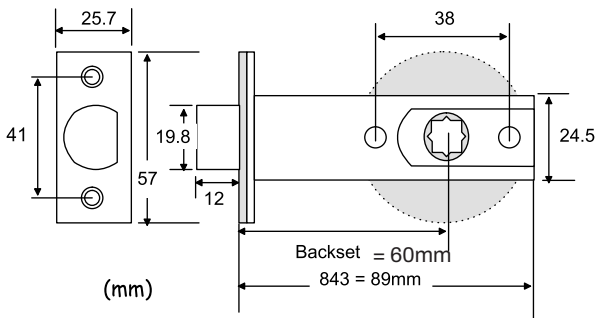
Models: LT843



Models L T843 Tubular Latch has a unique design - requiring only 28 degrees, both clockwise and counter-clockwise rotations on either side to retract the Bolt.

The forged solid brass Bolt is reversible to facilitate door handing; supplied with satin brass "B" or satin nickel "N" finishes.

The housing features with a pair of 38mm center to center holes, allowing trim / rosette through bolting mount horizontally. The 28 degree short retracting Latches are assembled with Knob strength only. Power Pack (L T-RS150) or a similar assist spring cage on each side is recommended for Lever application if the lever is of heavy construction/weight.



HUB SIZE: 8.0mm² | 7.3mm Diamond

FINISHES: 10B Oil Rubbed Bronze
15 Satin Nickel
3 Bright Brass



Universal Hub 8mm on square & 7.3mm on diamond

LATCHES

| Stock No. | Backset | Function | Retracting |
|---------------|---------|----------|------------|
| LT843KS8B-10B | 60mm | Passage | 28° |
| LT843KS8N-15 | 60mm | Passage | 28° |
| LT843KS8B-3 | 60mm | Passage | 28° |



Furnished with Faceplate, LTST-182 'T' Strike, mounting screws and Dust Box as standard

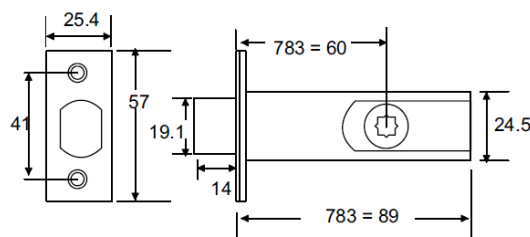
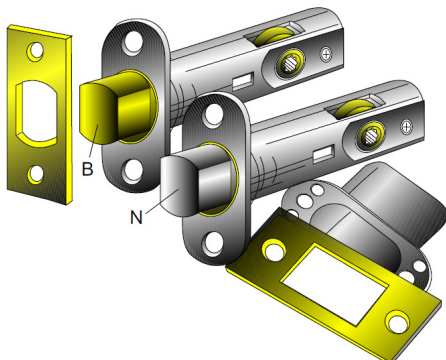
BOLTS

| Stock No. | Backset | Function |
|-------------|---------|----------|
| LT783MB-10B | 60mm | Passage |
| LT783MB-15 | 60mm | Passage |
| LT783MB-3 | 60mm | Passage |



LT-RS150
Power pack is recommended when a pair of heavy Lever is applied

Models: LT783



MATCHING PRIVACY BOLTS



Star hub 5mm on square and diamond

FINISHES:
Oil Rubbed Bronze 10B
Satin Nickel 15
Bright Brass 3