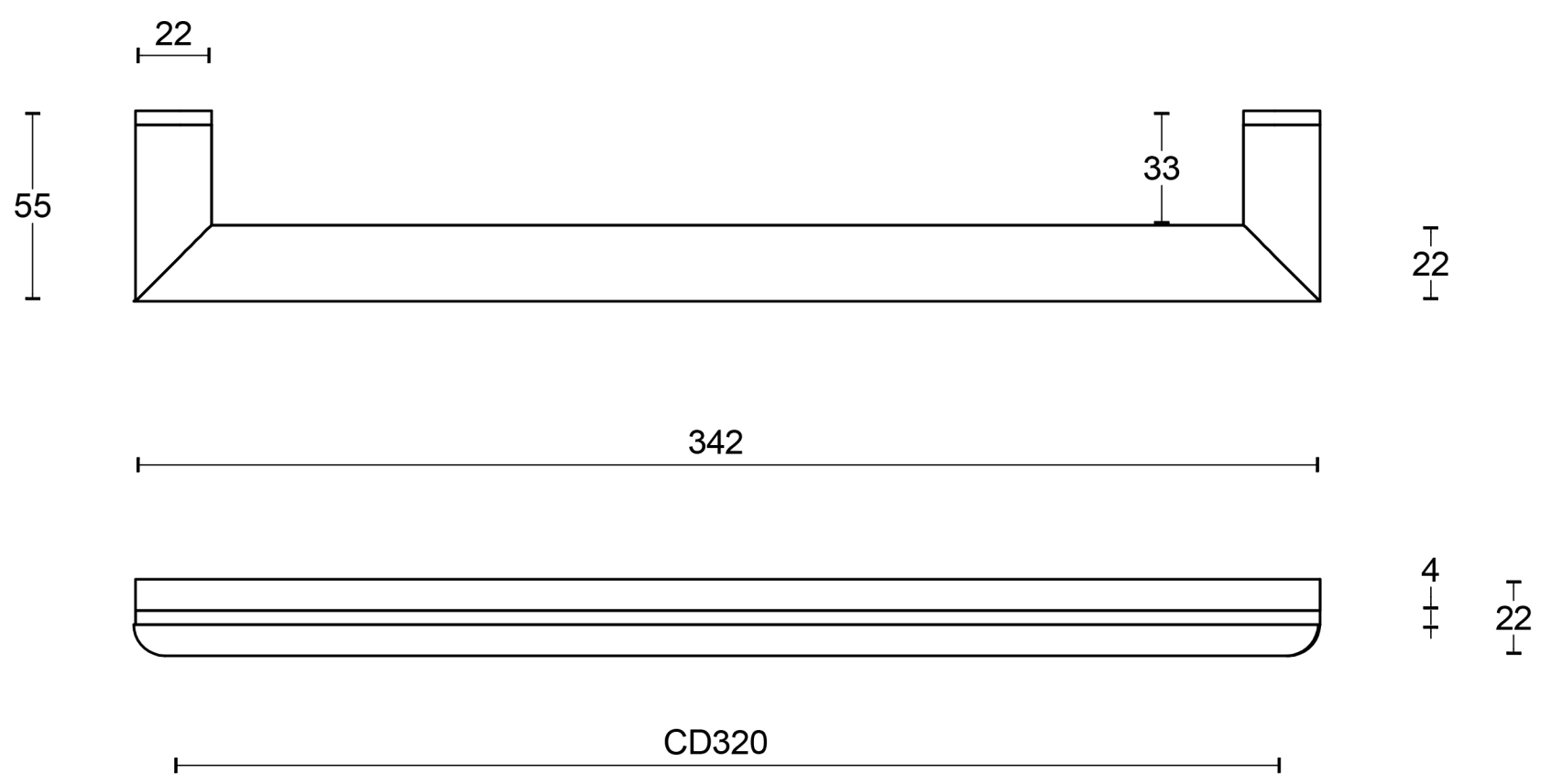
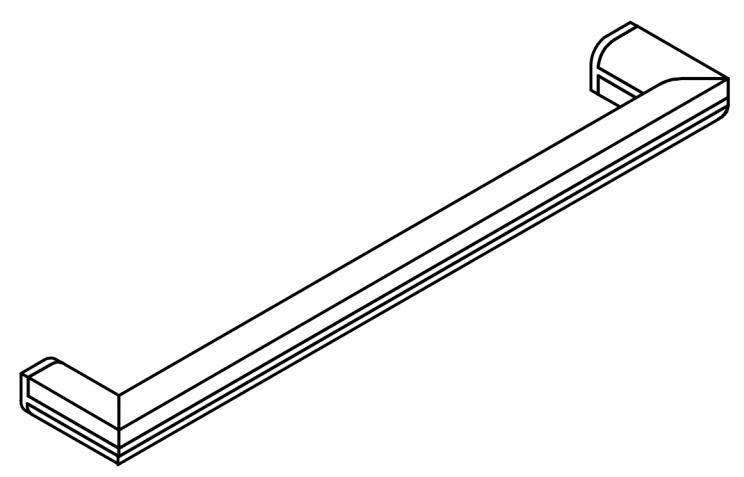
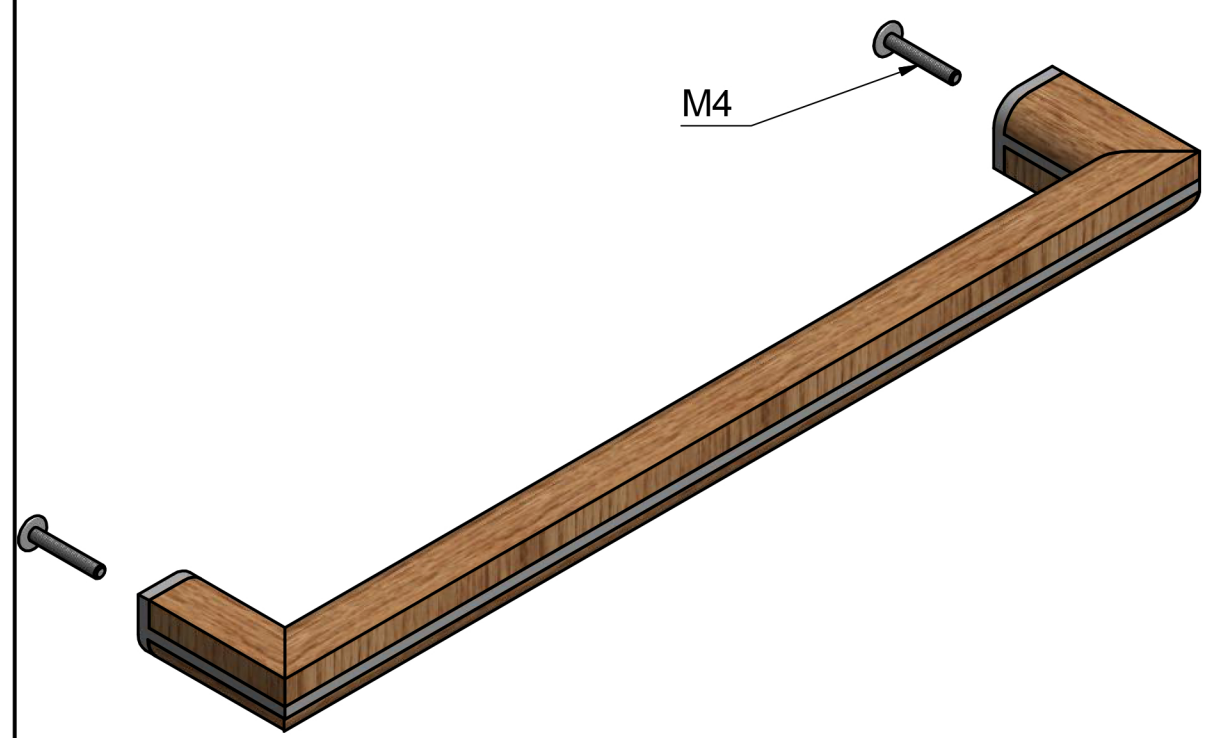


All information on the drawing is the property of Formani Holland B.V. and may not be copied, in any way whatsoever without obtaining the permission in writing from Formani Holland B.V.

PB22/320

solid cabinet handle
stainless steel/oak wood



FORMANI®		Part number:	
		Description:	
Doc no.:	2704M005 PB22 320 V02.dwg	PB22/320	Format:
Drawn by:	Christian Brimbois		Creation date:
Formani Holland B.V.		Formani FROM TWO TEASE ARCHITECTURAL HARDWARE	
www.twotease.com.au info@twotease.com.au			