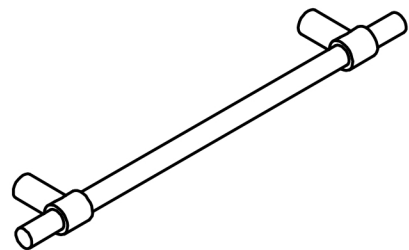
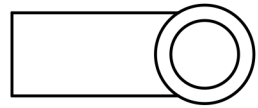
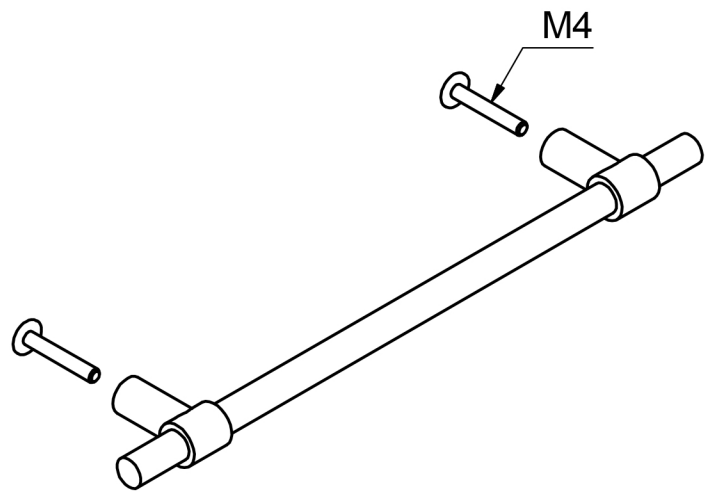
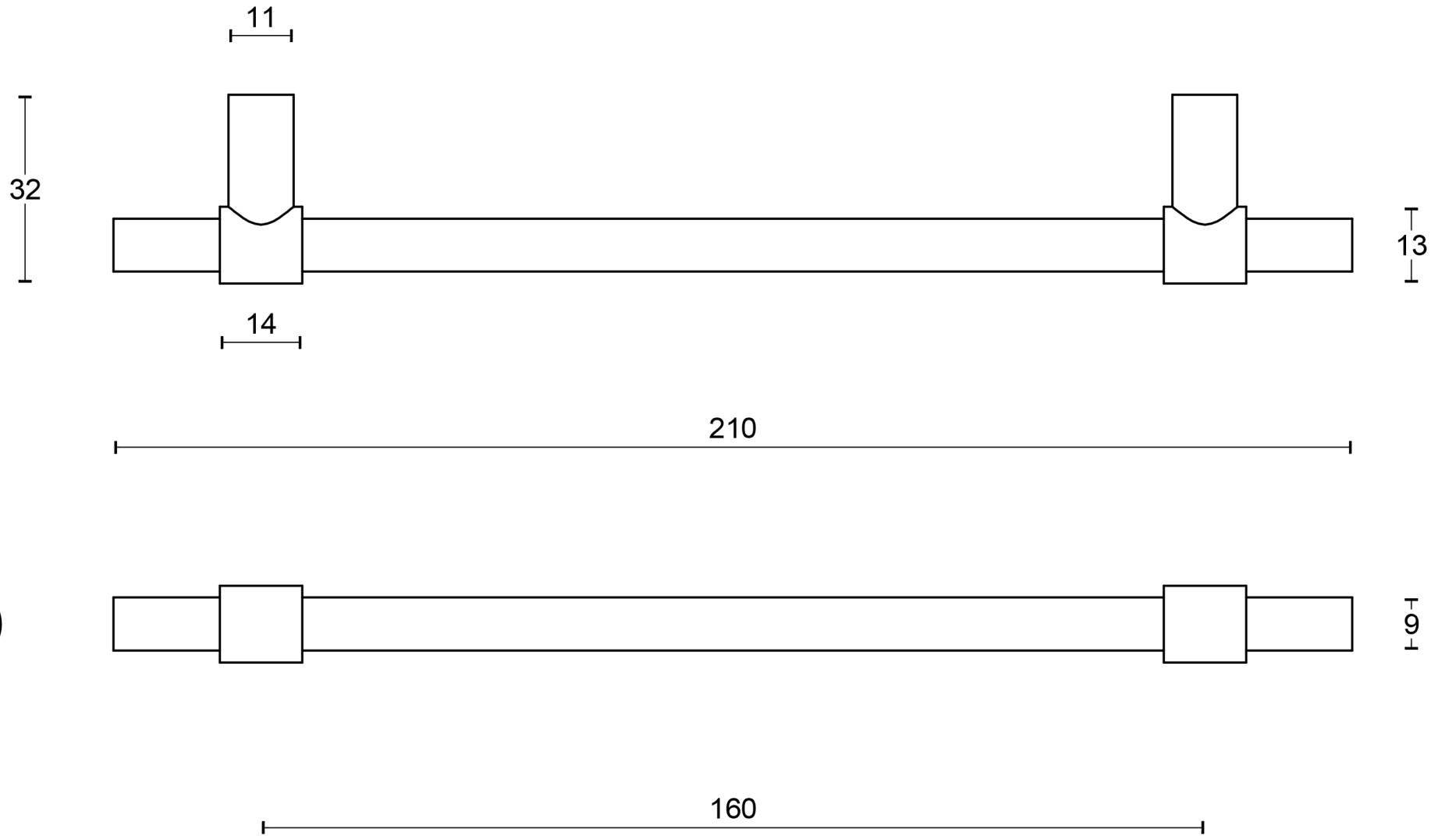


All information on the drawing is the property of Formani Holland B.V. and may not be copied, in any way whatsoever without obtaining the permission in writing from Formani Holland B.V.

PB195/160

solid cabinet handle
stainless steel



FORMANI®		Part number:	
		Description:	
Doc no.:	2704M003 PB195-160 V01.dwg	PB195/160	Format:
Drawn by:	Christian Brimbois		Creation date:
Formani Holland B.V.		Formani FROM TWO TEASE ARCHITECTURAL HARDWARE	
www.twotease.com.au info@twotease.com.au			