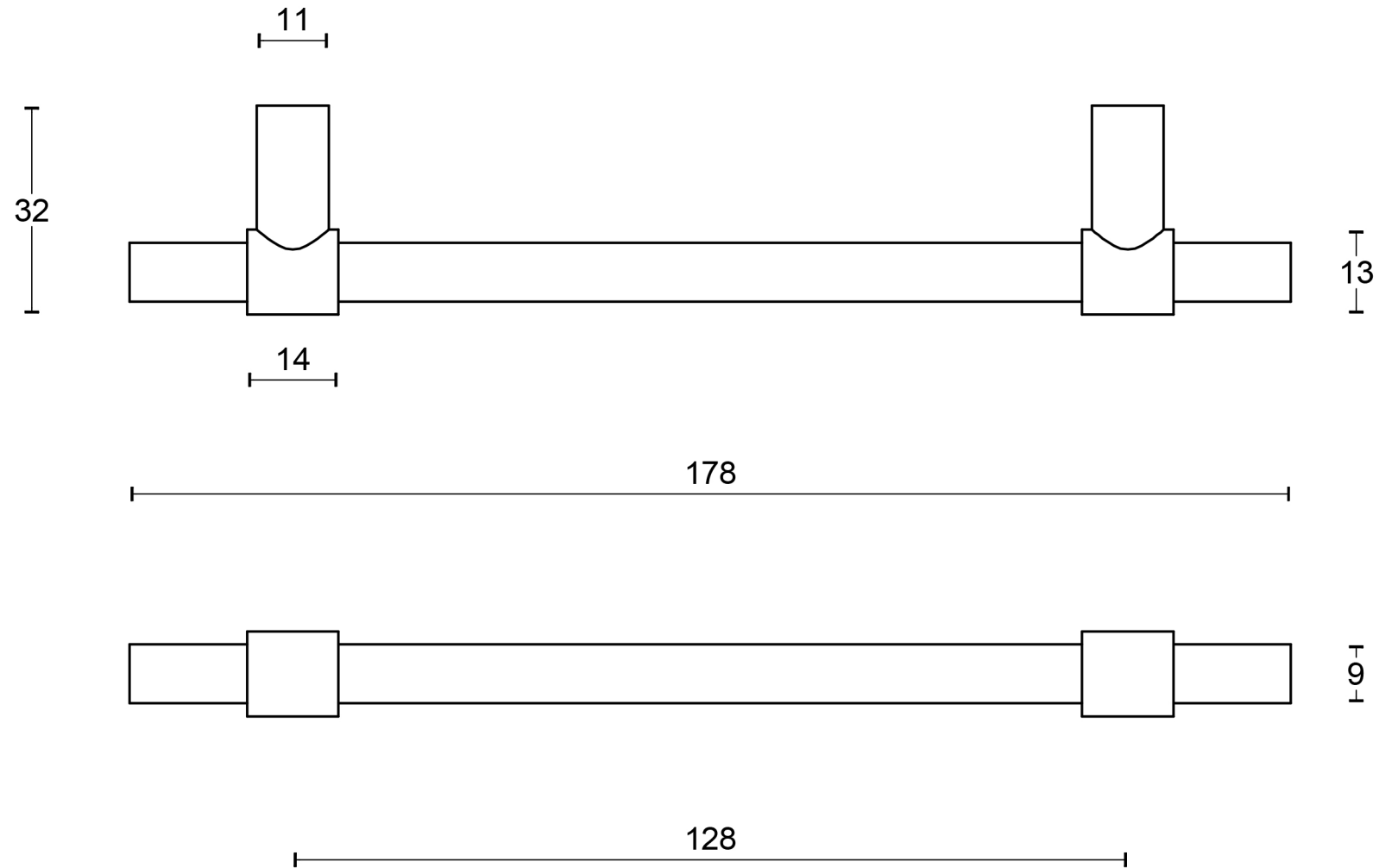
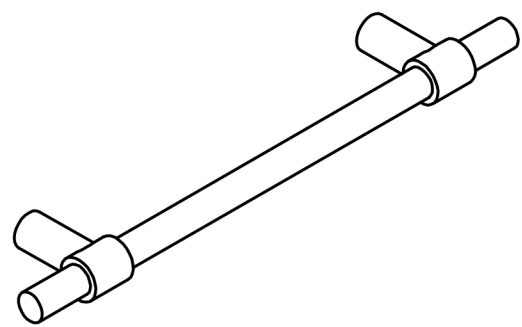
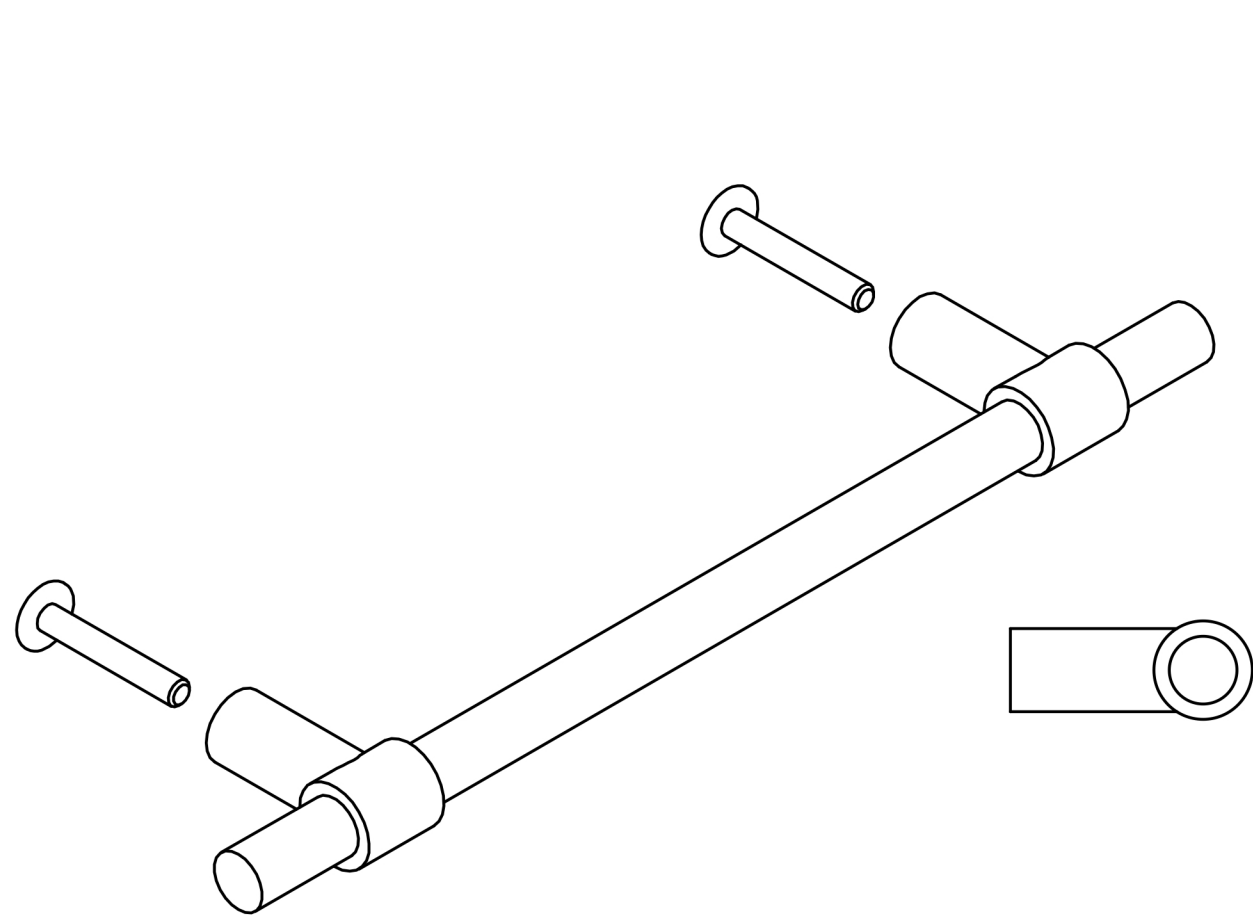


All information on the drawing is the property of Formani Holland B.V. and may not be copied, in any way whatsoever without obtaining the permission in writing from Formani Holland B.V.

**PB195/128**

solid cabinet handle  
stainless steel



FORMANI®		Part number:	
		Description:	
Doc no.:	2704M002 PB195-128 V01.dwg	PB195/128	Format:
Drawn by:	Christian Brimbois		Creation date:
Formani Holland B.V.		Formani FROM TWO TEASE ARCHITECTURAL HARDWARE	
www.twotease.com.au info@twotease.com.au			