

LOCK TEMPLATE

FOR: AGB POLARIS 2XT
AGB MEDIANA
AGB TOUCH
POLARIS WAVE

Fast and efficient installation using
247 Wood Router Jigs

What?

This universal lock case router template consists of separate front and side plates, which you can assemble to your heart's content. This is in contrast to other systems where you have to purchase a different router template for each slot. The router jig is suitable for our AGB locks.

Easy and Fast

The U-cassette shape allows you to machine the front plate, handle and cylinder in a fixture, which significantly reduces the risk of errors.

Then you can also use the template to cut the cabinet cutout. The side plates have a certain freedom of movement so that you can process doors from 38 millimeters to 43 millimeters thick.

AGB POLARIS 2XT
AGB MEDIANA
AGB TOUCH
POLARIS WAVE

These components allow the installation of the listed AGB lock & catches.

- 1 + 2 Attach the face plate (part 1300) to the side plates (part 1301 or 1302) using the fittings supplied.
- 3 Then select the brand of router guide bush (Festool, Makita, DeWalt or Bosch) that fits your router. These guide bushings have an effective diameter of 24 mm, which with a router bit of 18 mm, glide the bush ring in these templates to route out clean cut outs for these products.

The guide bush fits into the face plate for the face of the lock and as this jig is set at the backset of the lock, use the top hole on the both sides for the location of the lever handle and the lower holes for the privacy or the euro lock.

When using just the latch feature only use the top holes on both sides. This 18 mm router bit is 48mm long with a 20mm deep head and an 8mm shaft which is suitable for precision and super compact milling work.

These templates are made in Holland with the cutter made in Germany.

Combine : 1 + 2 + 3 + 4

1 1300 SKS Front Plate



2 1301 or 1302 SKS Side Plate Brackets



3 Router Guide Bush

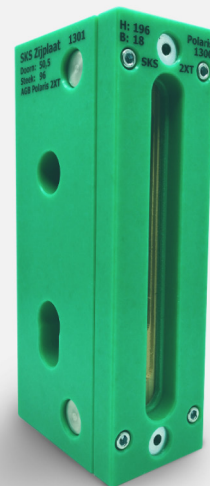


4 Groove Cutter







Result

Router Jig Set for AGB Polaris, Mediana, Touch & Polaris Wave



Collared Router Guide Bush



Choose ONE router that matches with jig

PRODUCT CODE	PICTURE	DESCRIPTION	RRP Inc GST
591		Makita Model 3000/RP	\$47.30
595		Makita Model RP0910/1110C	\$52.02
594		DeWalt Model DE6924	\$69.08
596		Festool Model 900/1000/1010	\$48.20

Cutting Tools

Choose ONE cutter that matches with jig


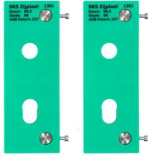
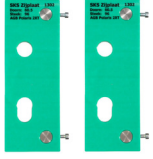
With 8mm shaft

PRODUCT CODE	PICTURE	DESCRIPTION	RRP Inc GST
1089		Ø 18 mm x Length 59 mm Carbide	\$104.06
1078		Ø 18 mm x Length 70 mm Carbide	\$117.48
1176		Wavecutter Drill Ø 16 mm x Length 90 mm Carbide NOT FOR USE WITH ROUTER	\$71.28

Lock Rigs

1300 required with 1301 or 1302
(Pick matching backset)

For: AGB Polaris, Median, Touch Locks

PRODUCT CODE	PICTURE	DESCRIPTION	RRP Inc GST
1300		SKS Front Plate 196mm long x 18mm Wide	\$95.92
1301		SKS Side Plate Backset 50.5 Pitch 96mm	\$162.14
1302		SKS Side Plate Backset 60.5 Pitch 96mm	\$162.14

DISTRIBUTED BY

TT | **TWO TEASE**
ARCHITECTURAL HARDWARE

22/76 Reserve RD, ARTARMON 2065

T: 02 9437 9876

E: info@twotease.com.au