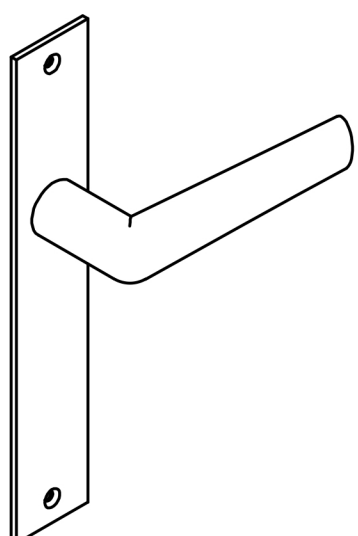
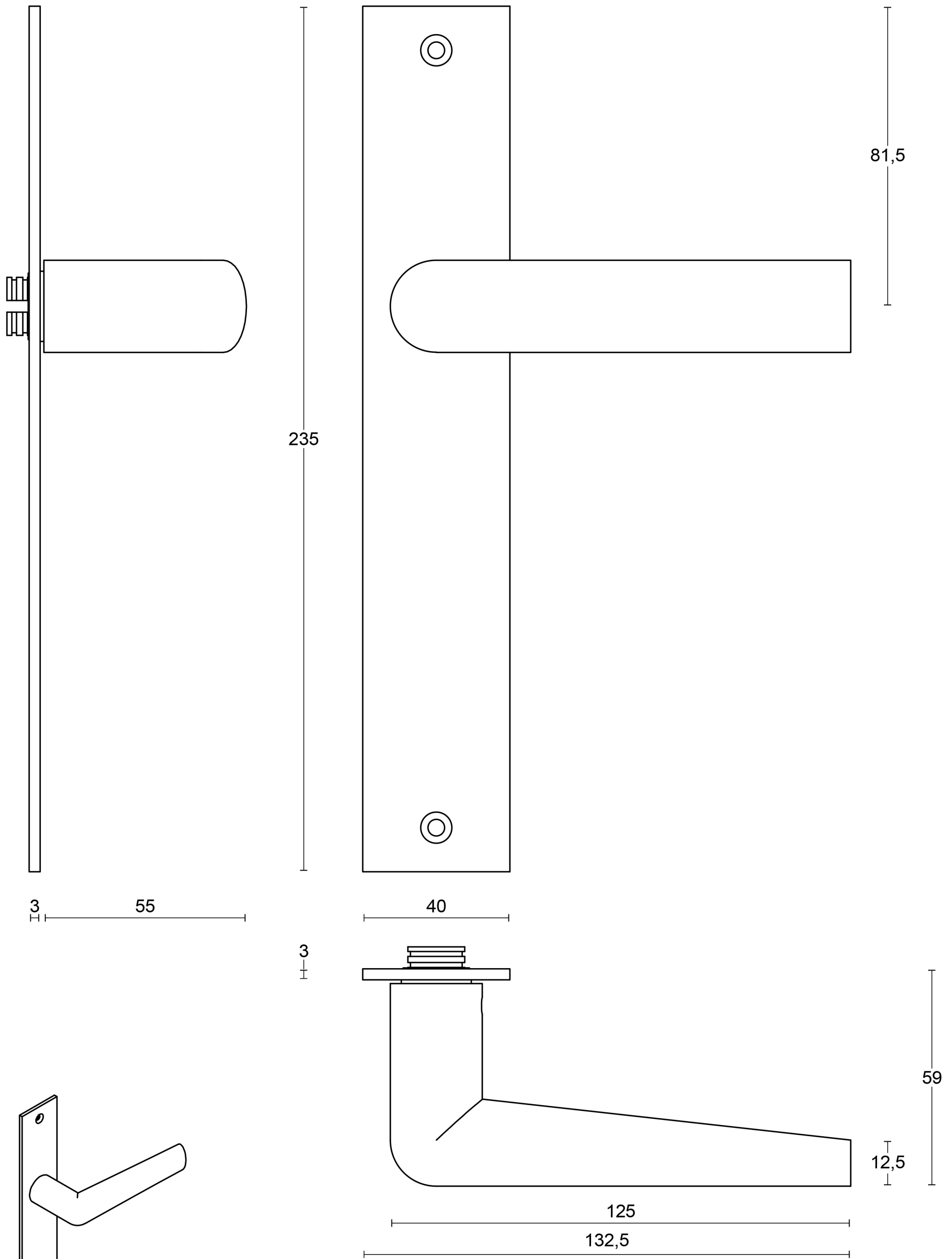
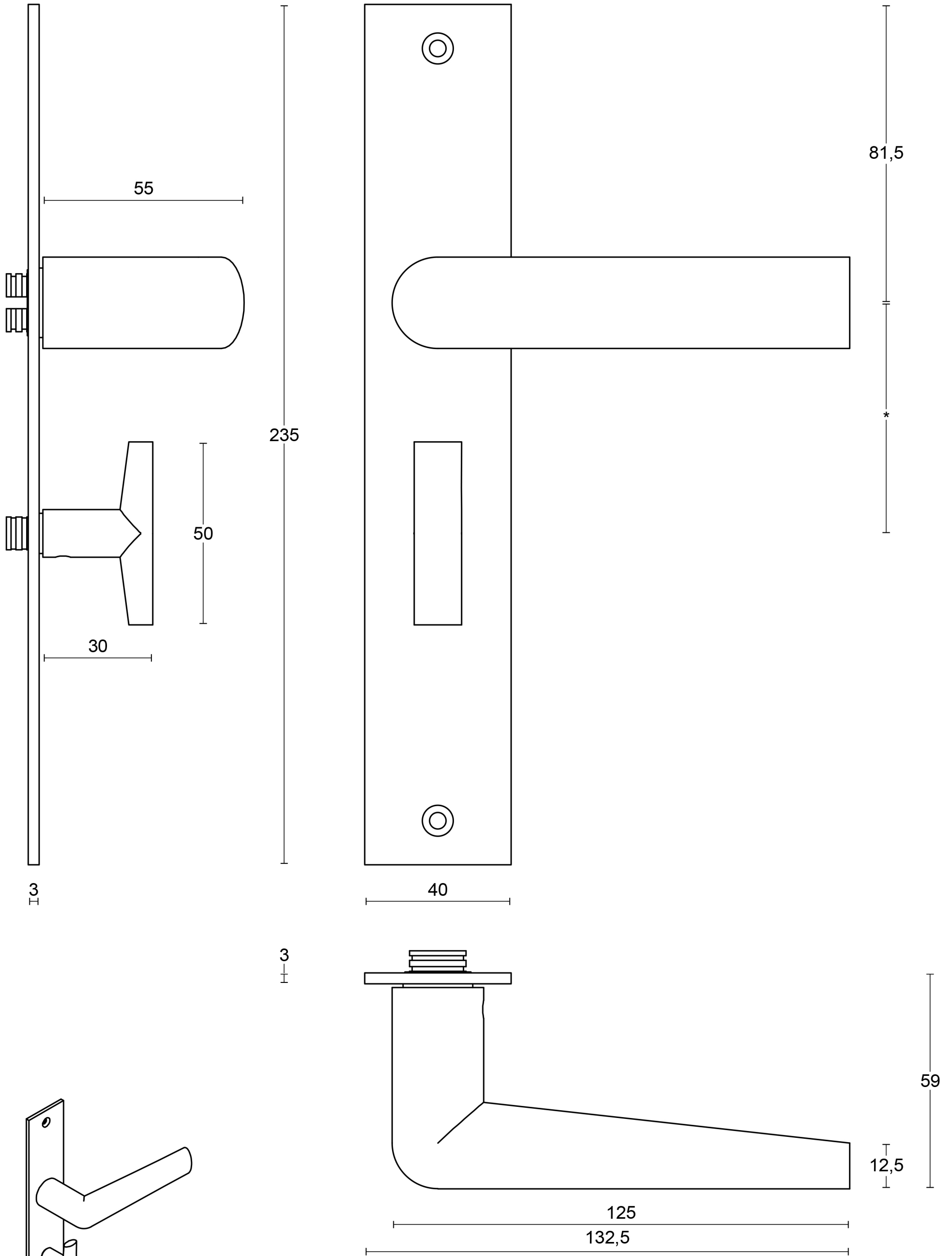


All information on the drawing is the property of Formani Holland B.V. and may not be copied, in any way whatsoever without obtaining the permission in writing from Formani Holland B.V.



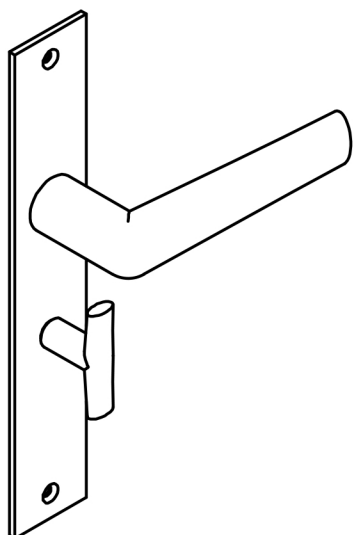
FORMANI®		Part number:	
Doc no.: 3601D023 PBI102P236SFC V01.dwg		PBI102P236SFC	Format:
Drawn by: Christian Brimbois	Creation date: 15-2-2019		A3
FORMANI HOLLAND B.V. Formani FROM TWO TEASE ARCHITECTURAL HARDWARE www.twotease.com.au info@twotease.com.au			

All information on the drawing is the property of Formani Holland B.V. and may not be copied, in any way whatsoever without obtaining the permission in writing from Formani Holland B.V



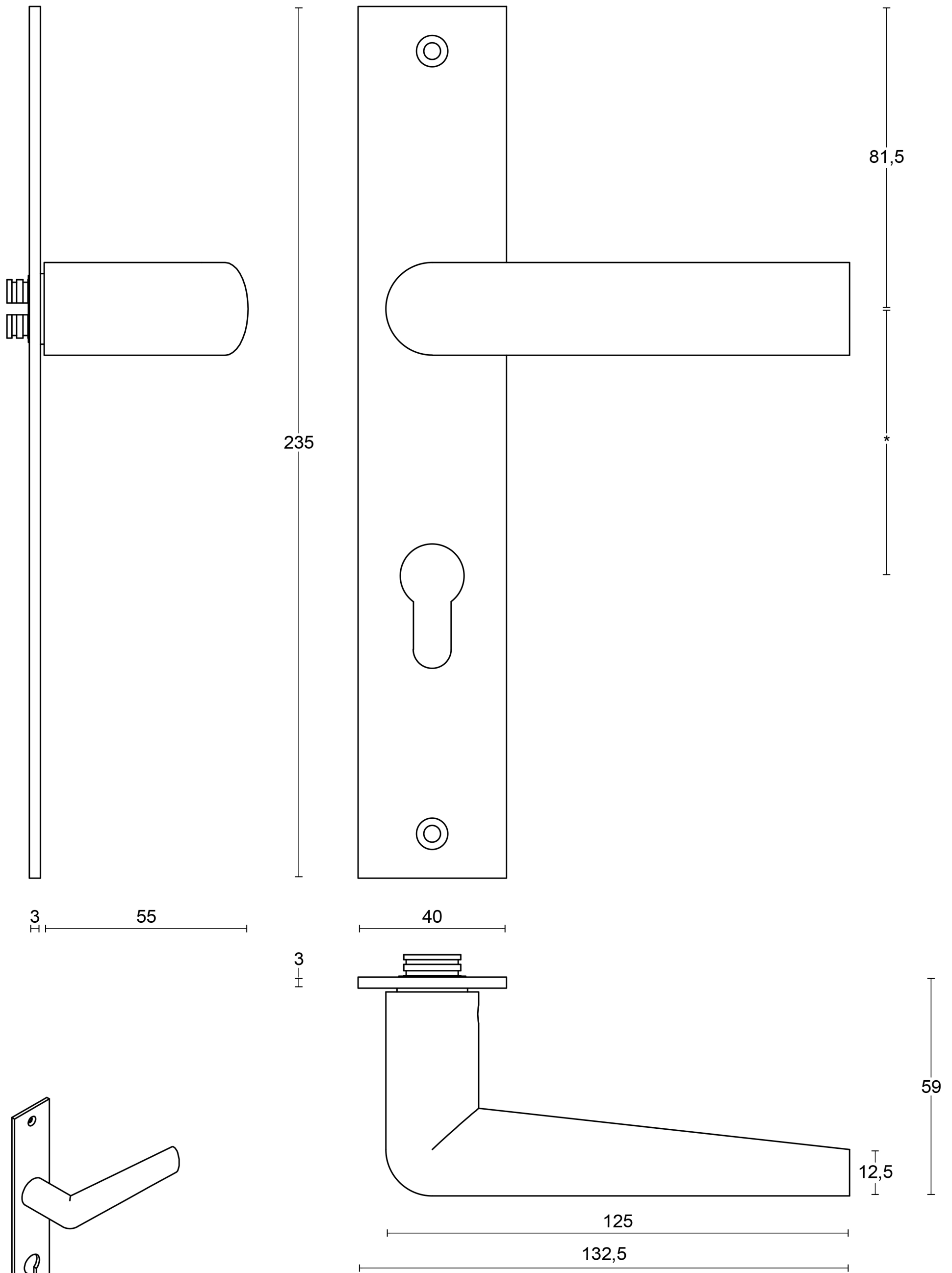
I3

3



FORMANI®		Part number:	
Doc no.: 3601D023 PBI102P236WC V01.dwg		PBI102P236WC	Format:
Drawn by: Christian Brimbois	Creation date: 15-2-2019		A3
FORMANI HOLLAND B.V.		FROM TWO TEASE ARCHITECTURAL HARDWARE www.twotease.com.au info@twotease.com.au	

All information on the drawing is the property of Formani Holland B.V. and may not be copied, in any way whatsoever without obtaining the permission in writing from Formani Holland B.V.



FORMANI®		Part number:	
Doc no.: 3601D023 PBI102P236Y V01.dwg		Description:	
Drawn by: Christian Brimbois		PBI102P236Y	
Creation date: 15-2-2019		A3	
FORMANI HOLLAND B.V.		FROM TWO TEASE ARCHITECTURAL HARDWARE	
		www.twotease.com.au info@twotease.com.au	