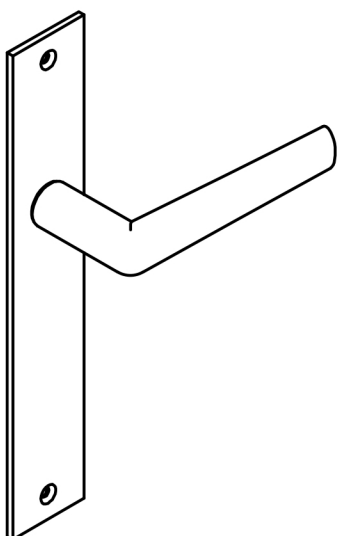
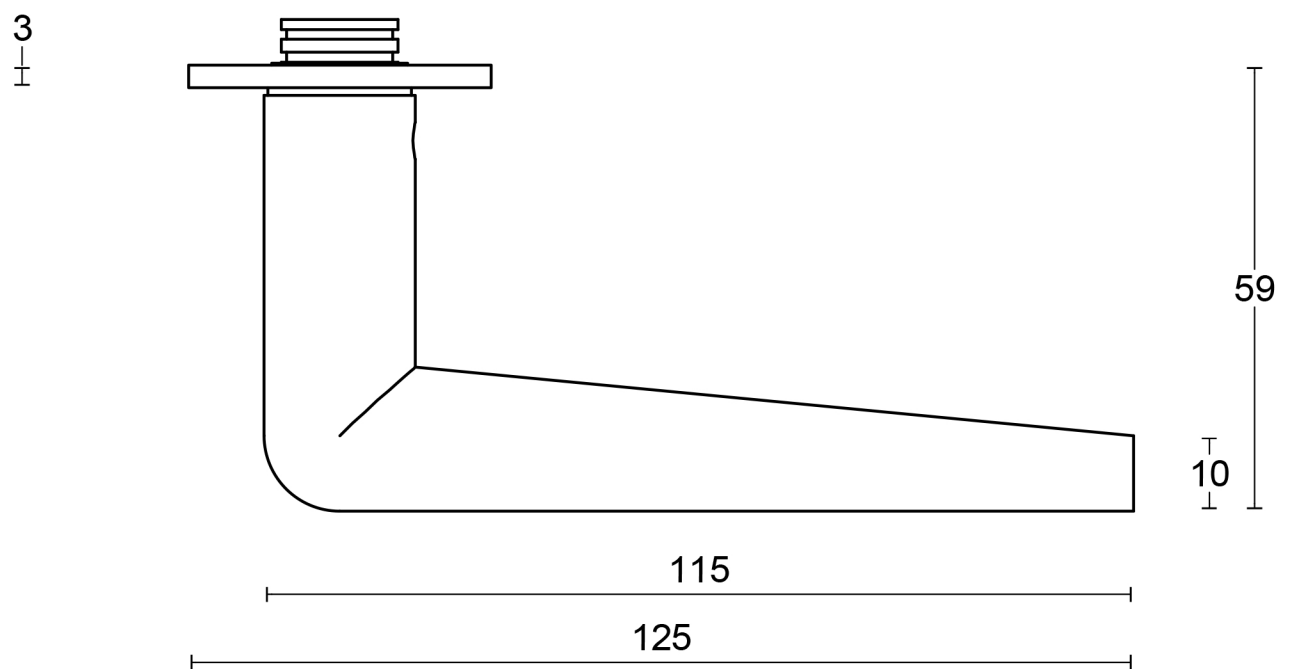
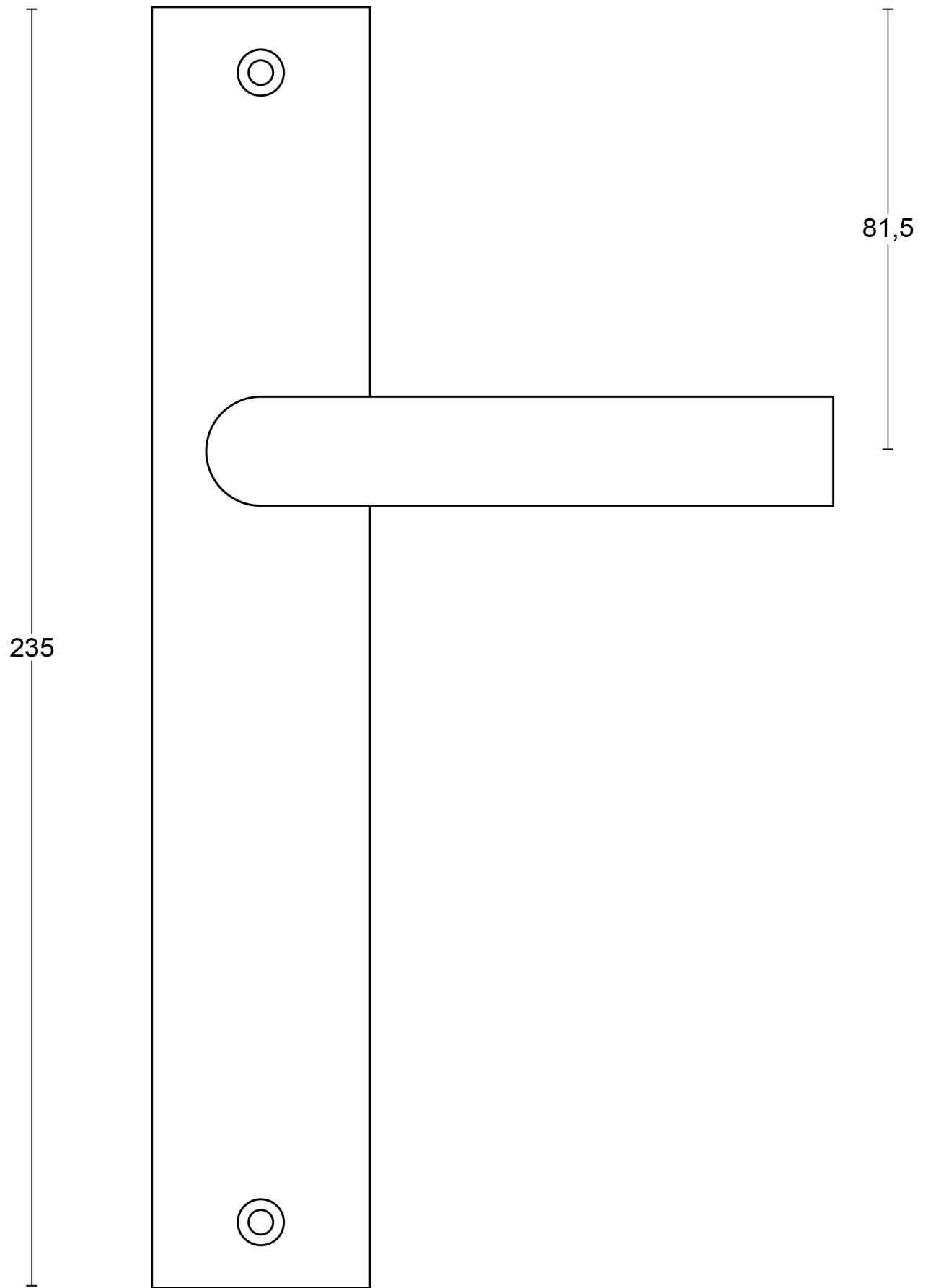
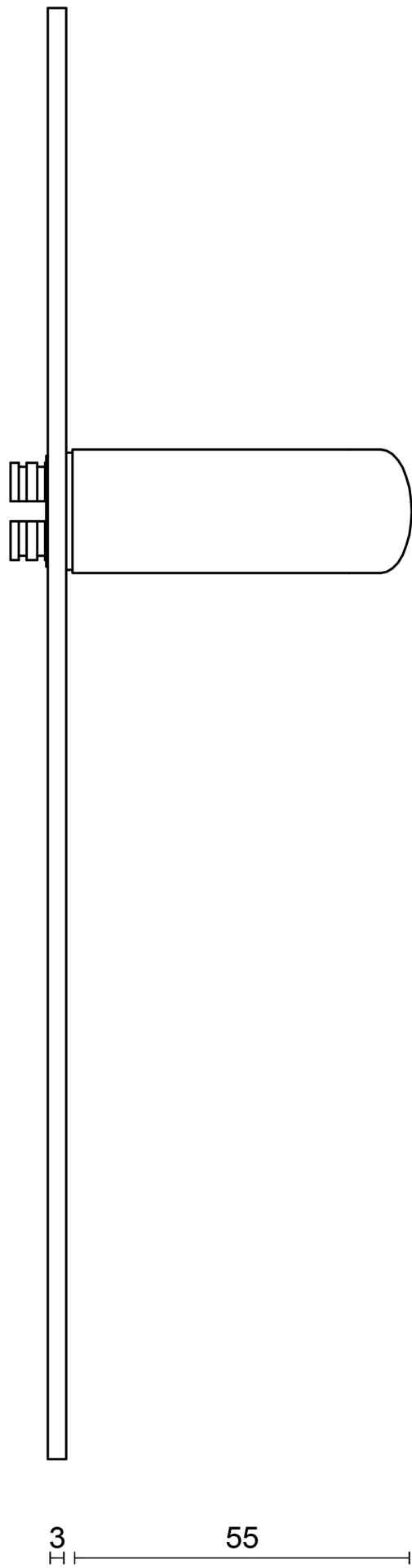
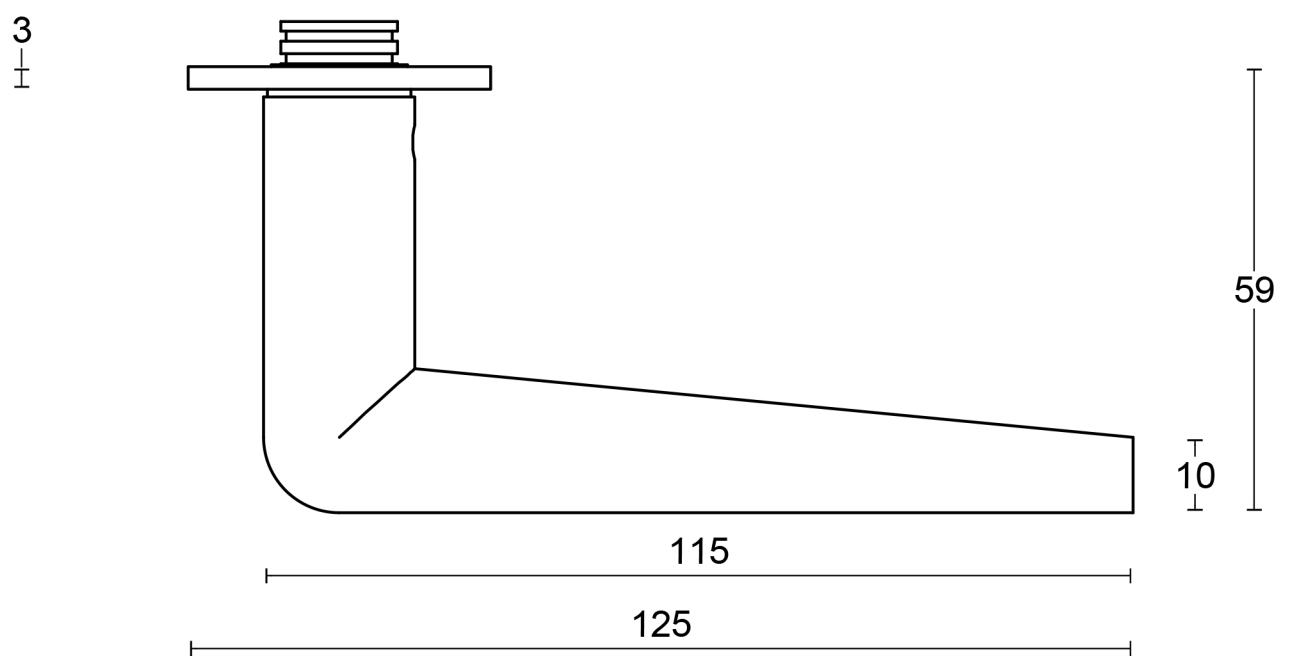
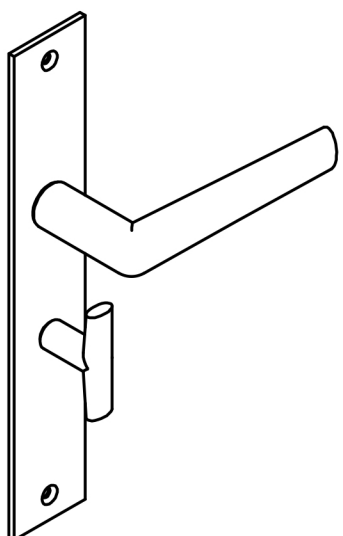
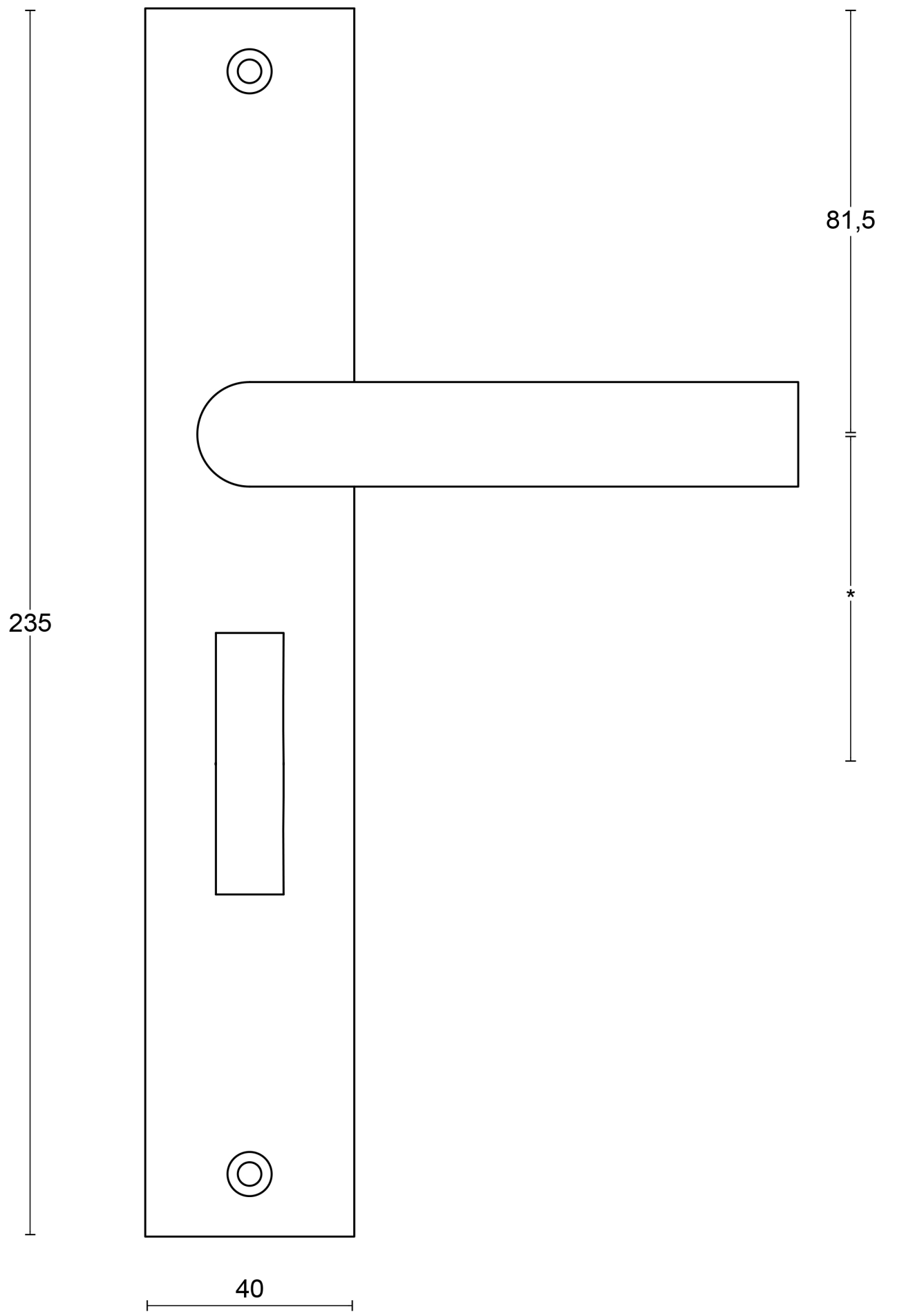
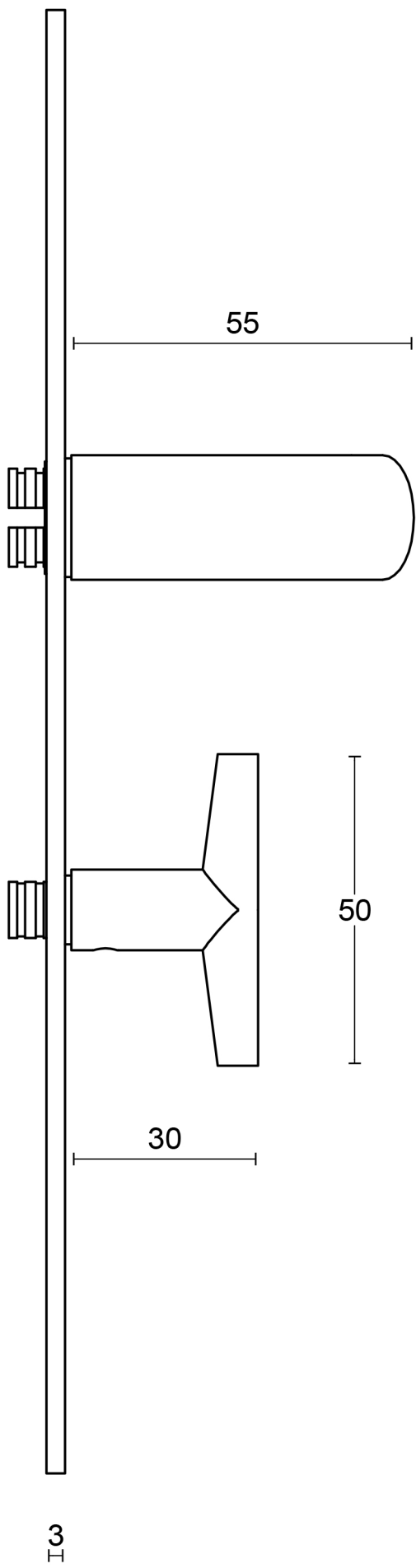


All information on the drawing is the property of Formani Holland B.V. and may not be copied, in any way whatsoever without obtaining the permission in writing from Formani Holland B.V.



<b>FORMANI®</b>		Part number:	
Doc no.: 3601D021 PBI100P236SFC V01.dwg		<b>PBI100P236SFC</b>	Format:
Drawn by: Christian Brimbois	Creation date: 14-2-2019		<b>A3</b>
FORMANI HOLLAND B.V.		FROM TWO TEASE ARCHITECTURAL HARDWARE <a href="http://www.twotease.com.au">www.twotease.com.au</a> <a href="mailto:info@twotease.com.au">info@twotease.com.au</a>	

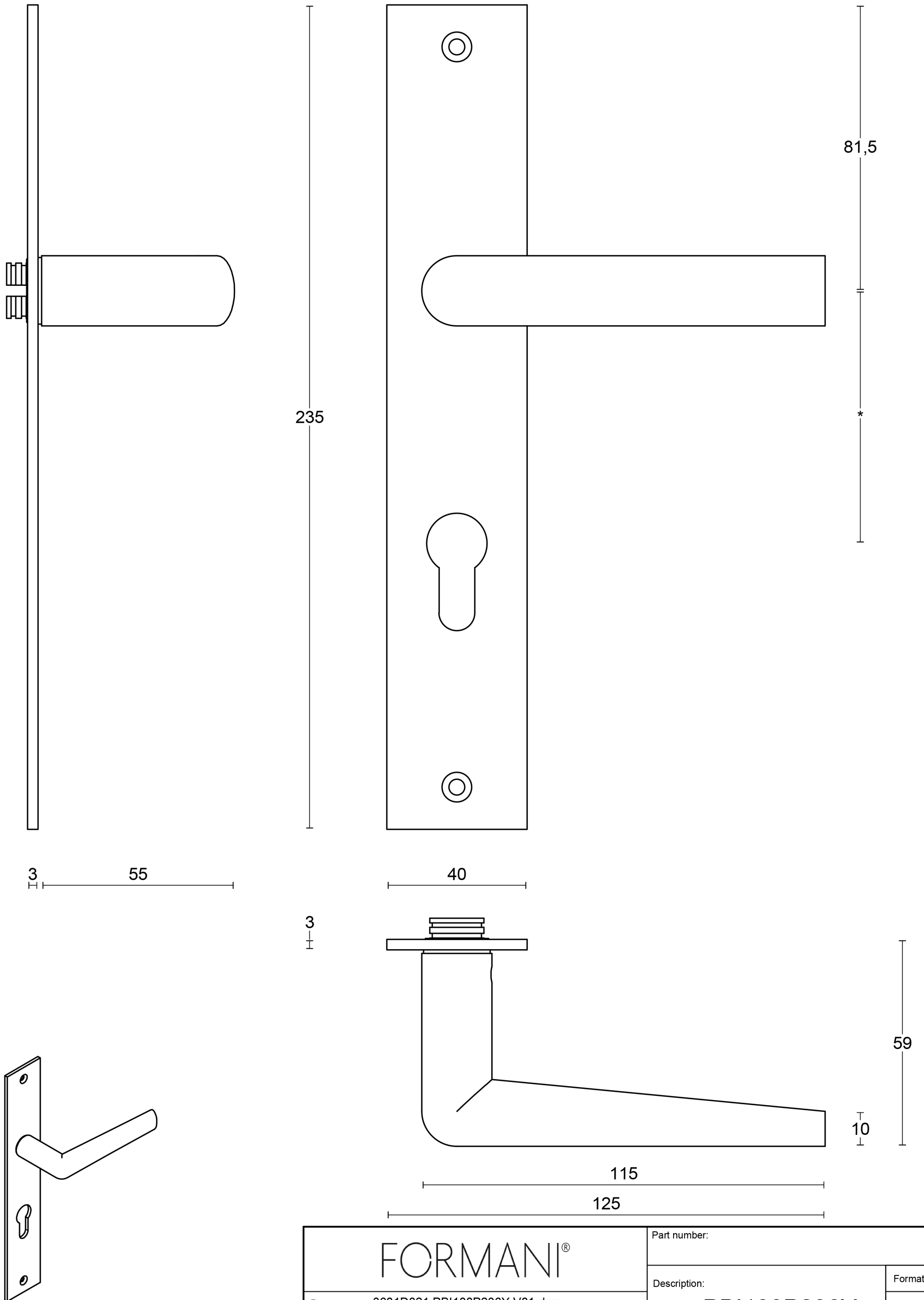
All information on the drawing is the property of Formani Holland B.V. and may not be copied, in any way whatsoever without obtaining the permission in writing from Formani Holland B.V.



FORMANI®		Part number:	
		Description:	
Doc no.:	3601D021 PBI100P236WC V01.dwg	PBI100P236WC	Format:
Drawn by:	Christian Brimbois		Creation date:
FORMANI HOLLAND B.V.		FROM TWO TEASE ARCHITECTURAL HARDWARE	
		www.twotease.com.au info@twotease.com.au	

A3

All information on the drawing is the property of Formani Holland B.V. and may not be copied, in any way whatsoever without obtaining the permission in writing from Formani Holland B.V.



FORMANI®		Part number:	
		Description:	
Doc no.:	3601D021 PBI100P236Y V01.dwg	PBI100P236Y	Format:
Drawn by:	Christian Brimbois		Creation date:
FORMANI HOLLAND B.V.		FROM TWO TEASE ARCHITECTURAL HARDWARE	
		www.twotease.com.au info@twotease.com.au	