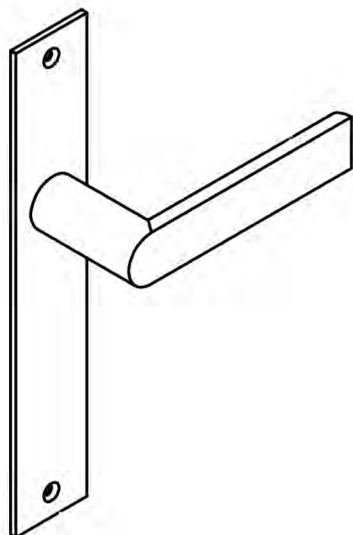
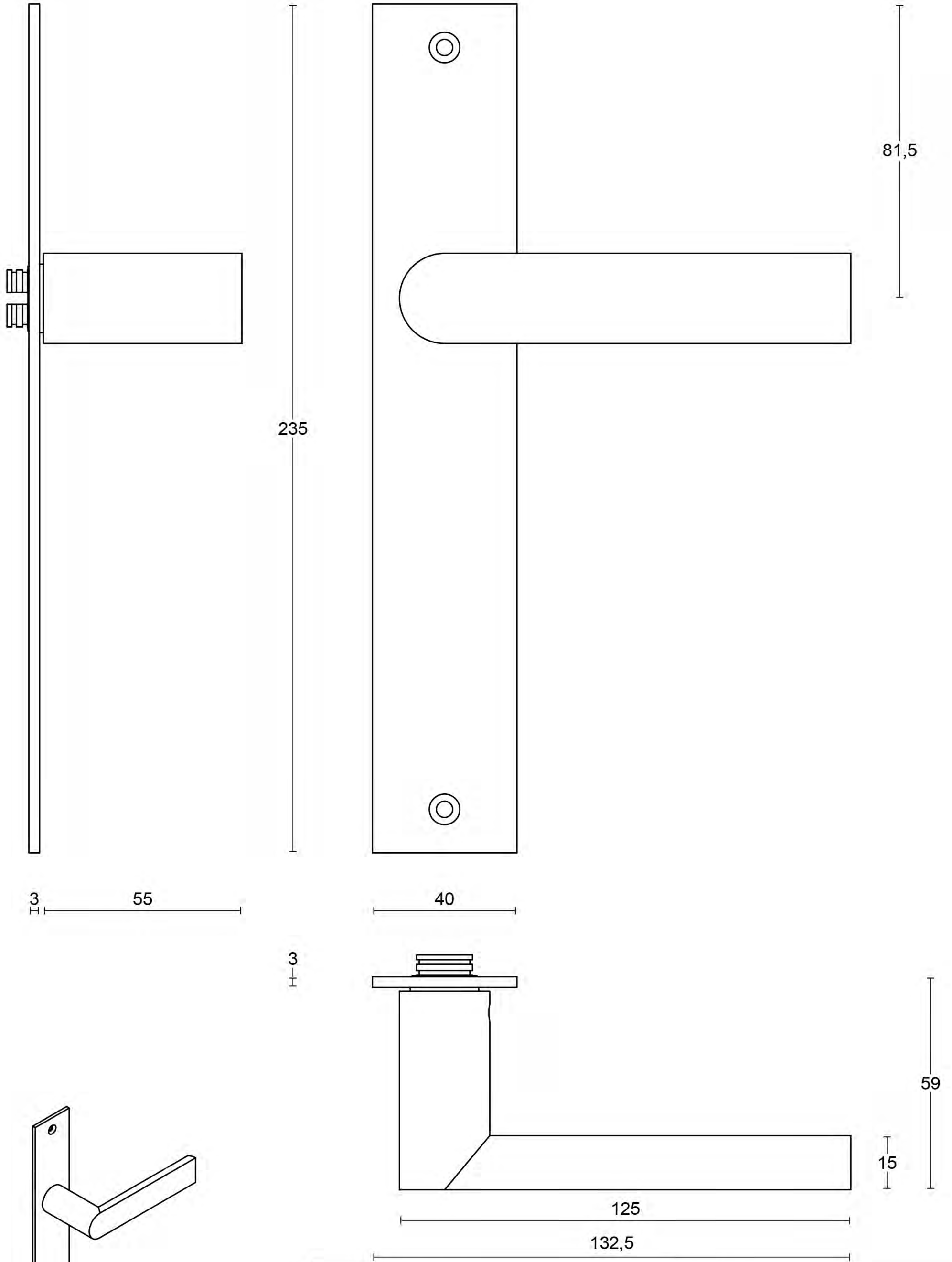
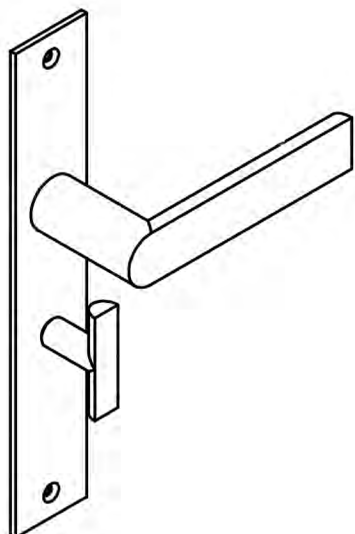
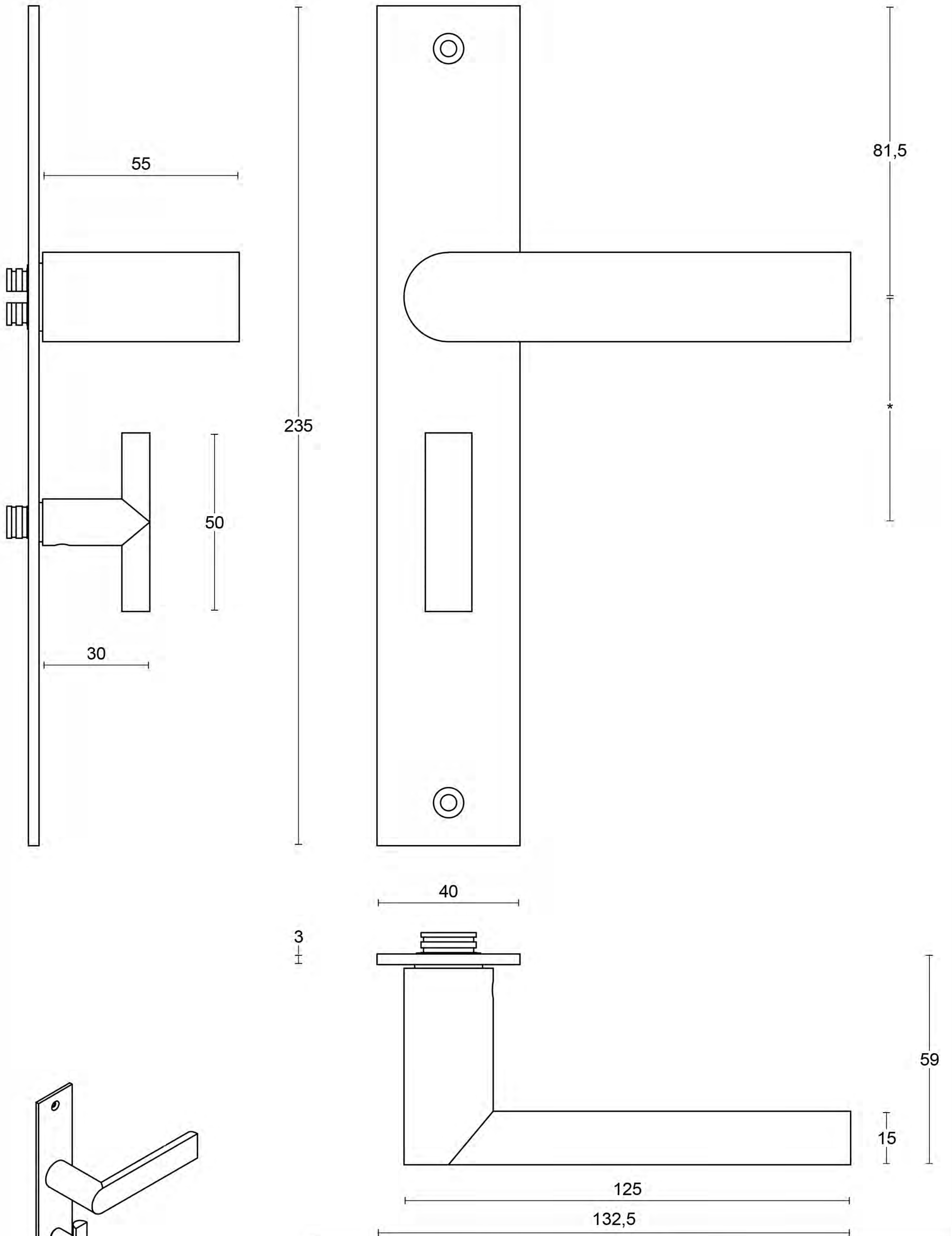


All information on the drawing is the property of Formani Holland B.V. and may not be copied, in any way whatsoever without obtaining the permission in writing from Formani Holland B.V.



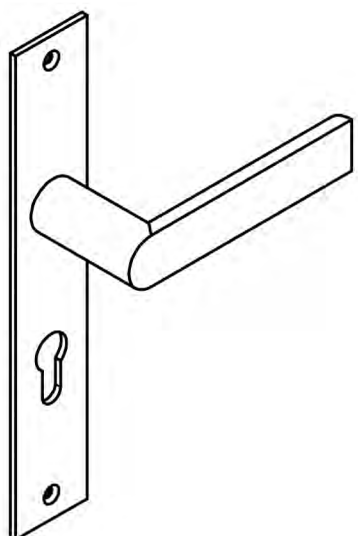
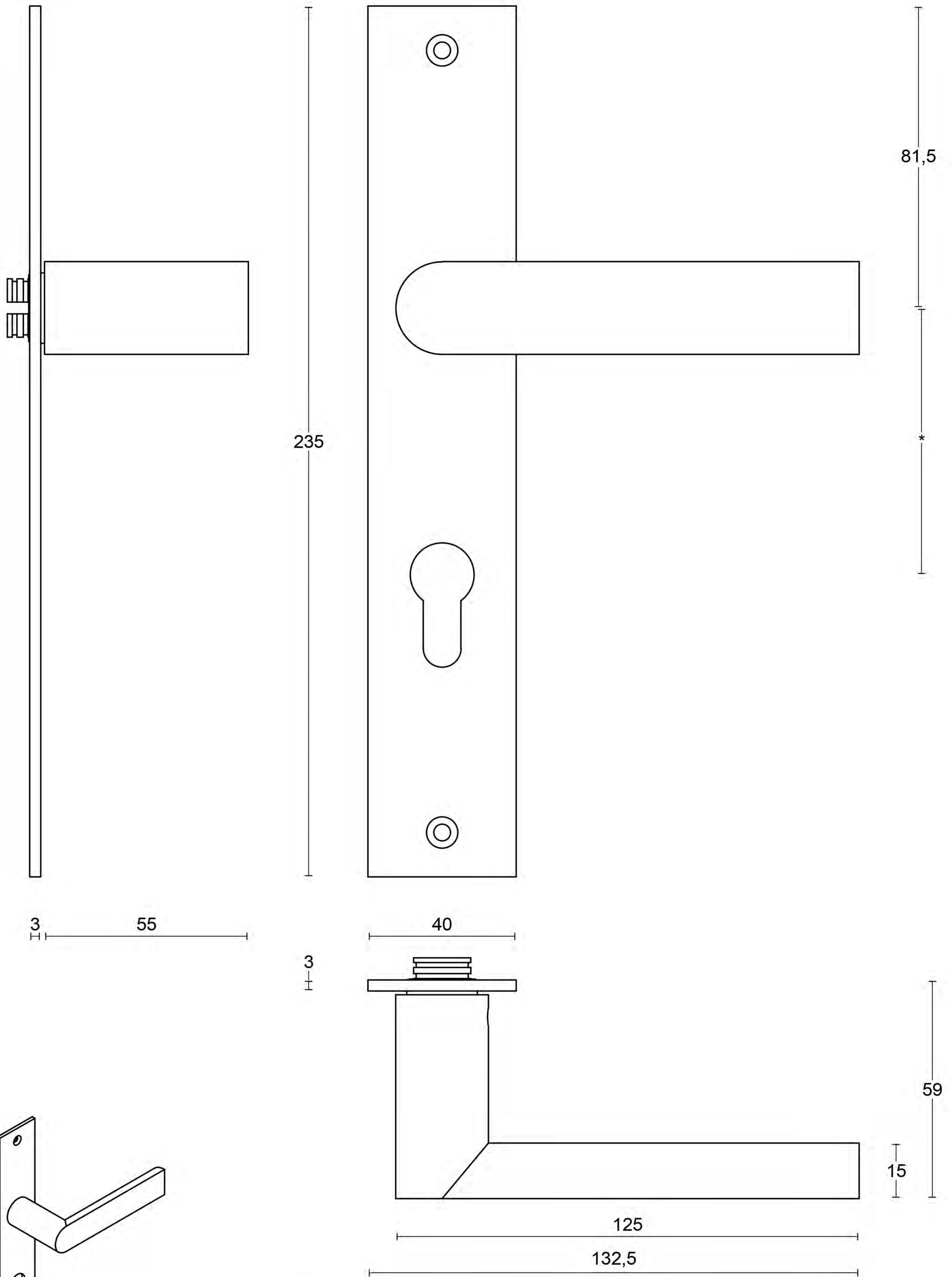
| | | | |
|---|--------------------------|---|-----------|
| FORMANI® | | Part number: | |
| Doc no.: 3701D022 PBA101P236SFC V01.dwg | | PBI101P236SFC | Format: |
| Drawn by: Christian Brimbois | Creation date: 15-2-2019 | | A3 |
| FORMANI HOLLAND B.V. | | FROM TWO TEASE ARCHITECTURAL HARDWARE www.twotease.com.au info@twotease.com.au | |

All information on the drawing is the property of Formani Holland B.V. and may not be copied, in any way whatsoever without obtaining the permission in writing from Formani Holland B.V.



| | | | |
|--|--------------------------|---|-----------|
| FORMANI® | | Part number: | |
| Doc no.: 3701D022 PBA101P236WC V01.dwg | | PBI101P236WC | Format: |
| Drawn by: Christian Brimbois | Creation date: 15-2-2019 | | A3 |
| FORMANI HOLLAND B.V. | | FROM TWO TEASE ARCHITECTURAL HARDWARE www.twotease.com.au info@twotease.com.au | |

All information on the drawing is the property of Formani Holland B.V. and may not be copied, in any way whatsoever without obtaining the permission in writing from Formani Holland B.V.



| | | | |
|---------------------------------------|--|---|--|
| <h1>FORMANI®</h1> | | Part number: | |
| | | <h2>PBI101P236Y</h2> | |
| Doc no.: 3701D022 PBA101P236Y V01.dwg | | Description: | |
| Drawn by: Christian Brimbois | | Creation date: 15-2-2019 | |
| FORMANI HOLLAND B.V. | | FROM TWO TEASE ARCHITECTURAL HARDWARE | |
| | | Format: | |
| | | <h1>A3</h1> | |
| | | www.twotease.com.au info@twotease.com.au | |