

Specifications details

MIMOLIMIT

M&T | Magnetic Pull Handle

Designer: Barbara Skorpilova



Shown Above: Titanium Matt Black Surface (TiN-K) with Teak Wood Insert

Material Handle - Solid Brass
Inserts - Wood

6 Finishes	Satin Nickel	SNi -
	- Brushed	Grinded
Brass Finishes	Glossy Chrome	Cr
	Natural Brass	Ms
Titanium / PVD Finishes	Black	TiN-K
	Matt Chrome	TiN-C
	Matt Brown	TiN-B

Dimension for Application Standard door thickness: 38 - 45mm. Bigger door thickness should be specified to deliver longer mounting screws

Warranty SNi, Cr: **3 years**
Titanium: **15 years**
Brass: **Lifetime**

5 Wood Grips	Teak
	Elm
	Walnut
	Oak
	Bleached Oak
Custom Build Handle with separate wood grips	

Dimensions Lengths: **300, 600, 900, 1200, 1800, 2400mm**

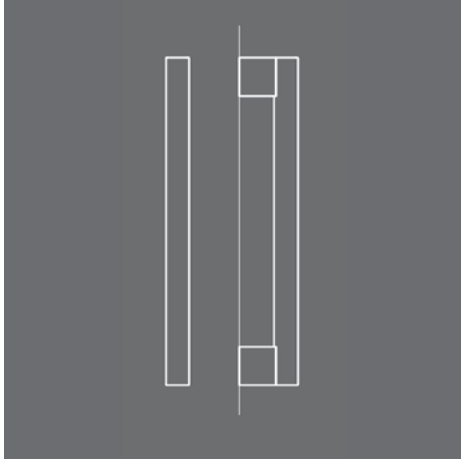
Width: **24mm**

Output over the door surfaces 61mm

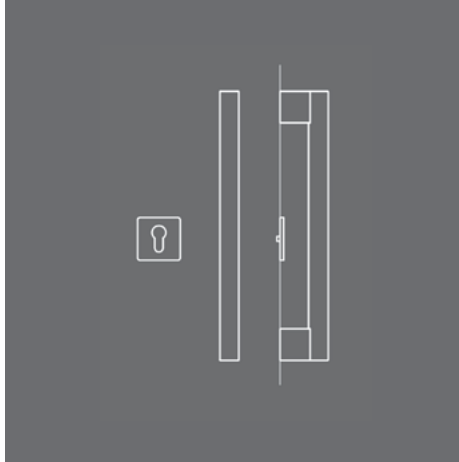
Application For Interior Doors



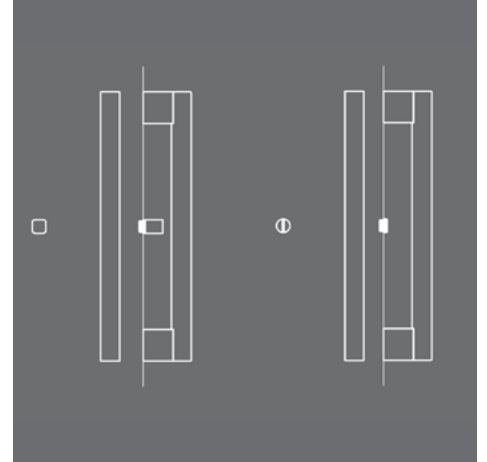
VARIATIONS



MIMOLIMIT
Standard



MIMOLIMIT
With Euro Cylinder



MIMOLIMIT
WC IN

MIMOLIMIT
WC EX

MIMOLIMIT | with M&T Magnetic Closing System



WOOD GRIPS



Bleached Oak
EAN: 83875



Oak
EAN: 83882



Elm
EAN: 83868



Teak
EAN: 83844



Walnut
EAN: 83851

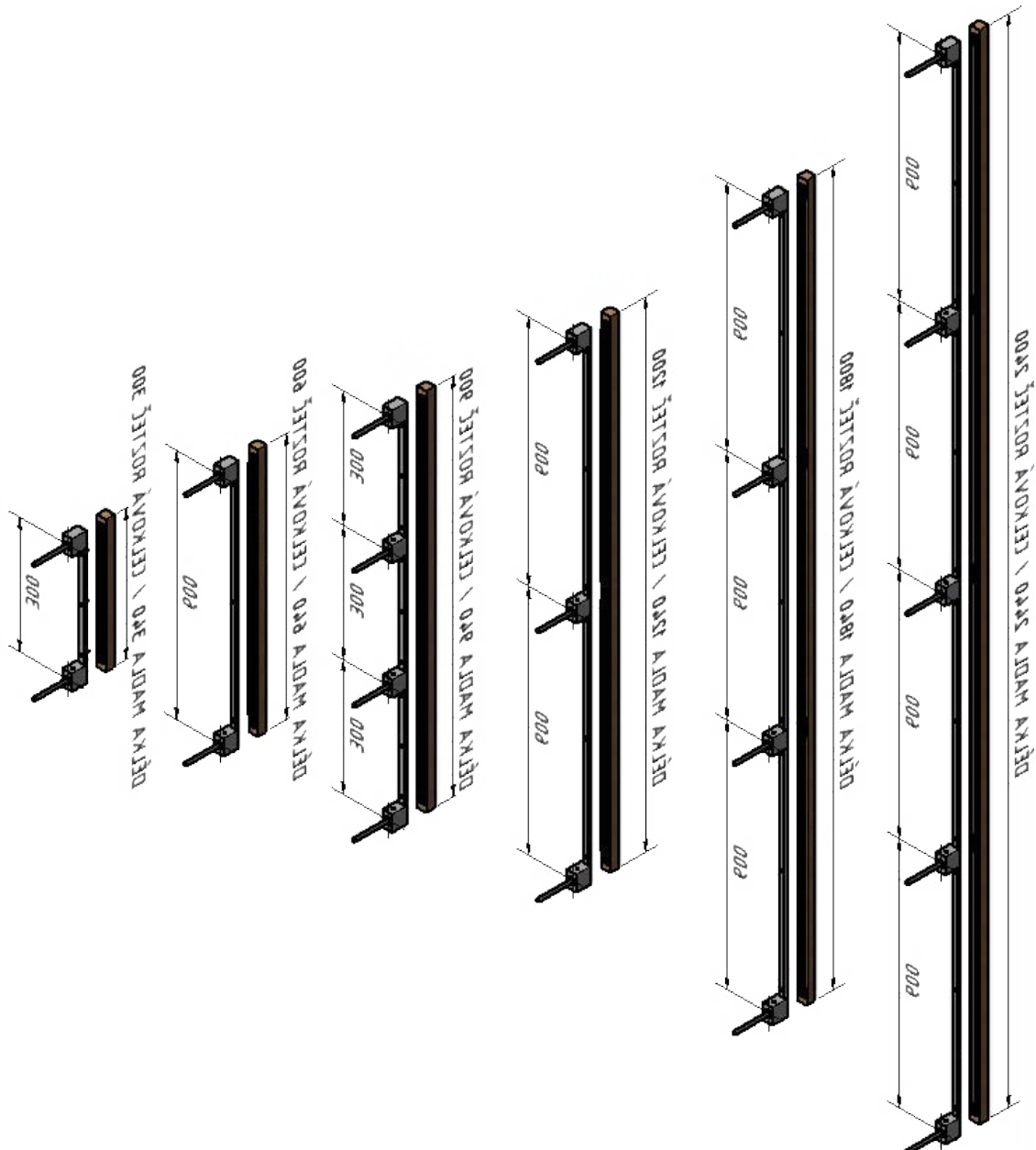
DIMENSIONS & ASSEMBLY

Assembly System Lowering the handles against each other by locking the set screws M6.

W/C Variant
Install with Cylindrical WC lock (Round or Square).

Preparation for door Hole Milling

Assembly Time 1-2 minutes
W/C Bathroom Variant 5-10 minutes

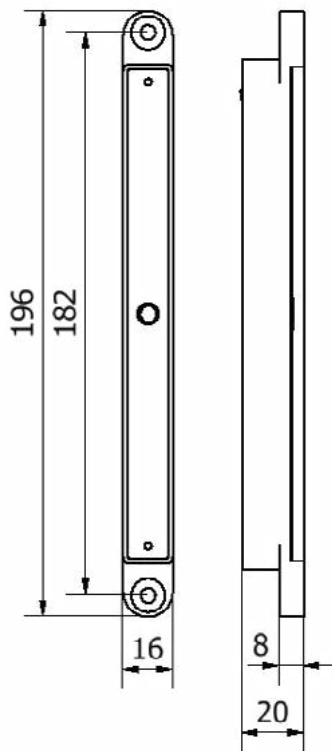


LOCK OPTION

M&T | Magnetic Door Closing System



Dimensions



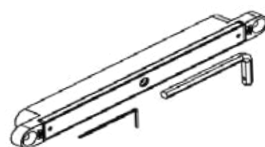
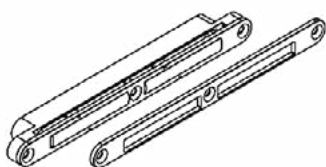
M&T Magnetics is a revolutionary magnetic system that enables doors to open easily and close perfectly. Strong magnets in the door and frame allow for perfectly smooth and noiseless closing, holding the door closed without the need for a lock. Intended primarily for internal doors, the range also includes mini locks that can be added where extra privacy is needed

Material Metal Body
Neodymium Magnets

3 Finishes Satin Stainless Steel
White
Black

Warranty Surfaces: **3 years**
Function: **30 years**

Application Designed for interior doors for heights up to 3m and for door weights up to 200kg. Efficiency can be increased by using 2 or more magnets.



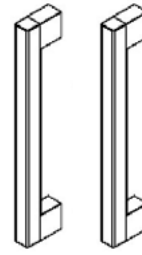
Cylindrical WC/Euro lock

Material Brass
Stainless Steel
Magnetic Stainless Steel

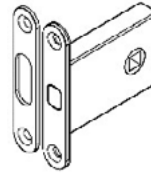
3 Finishes Stainless Steel Brushed
Matt White
Matt Black

Warranty Surfaces: **3 years**

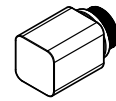
Application Standard for door thickness 38-45mm. Bigger thicknesses must be specified for longer assembly components



MIMOLIMIT Pull Handle



WC Lock

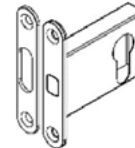


WC IN



WC EX

OR

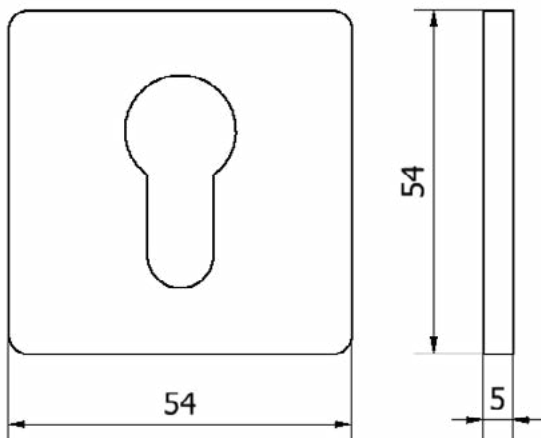


Euro Lock

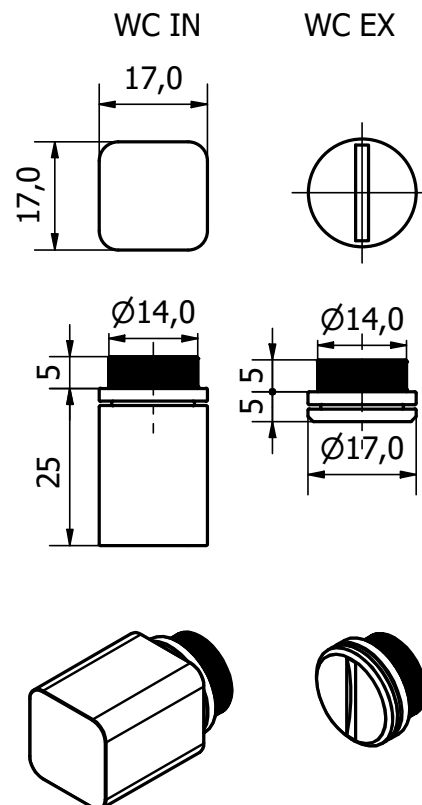


EURO Square

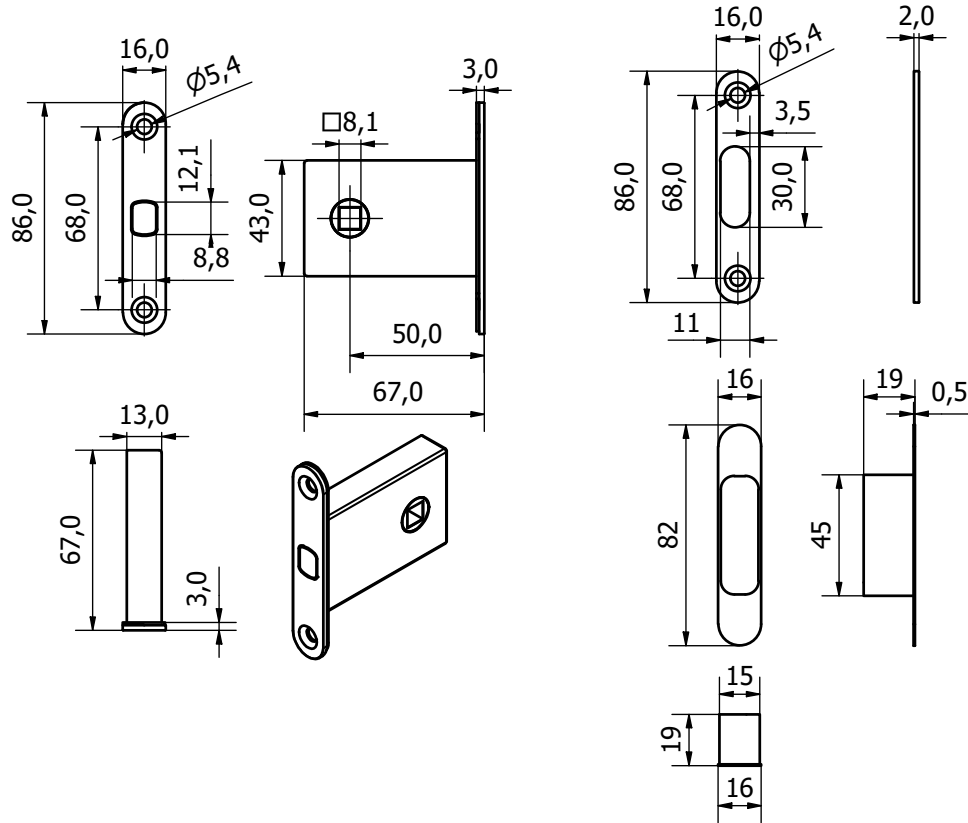
EURO Square



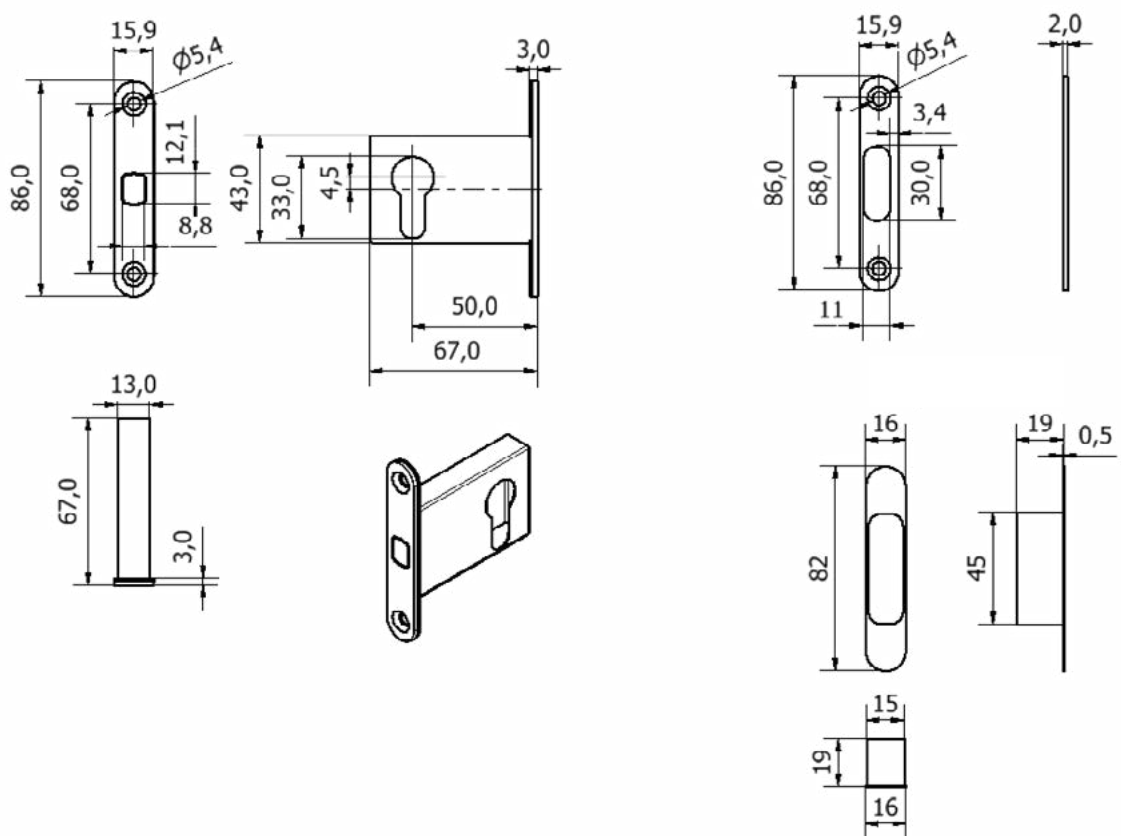
Square Cylinder



WC Square Rosette Lock

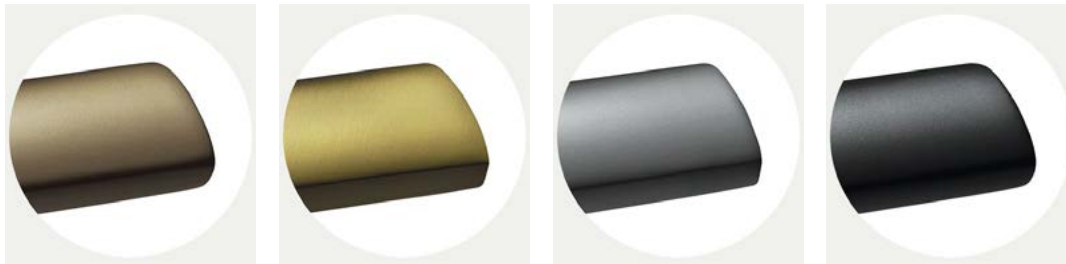


Euro Lock



M&T FINISHES

Titanium Finish



Matt Brown: TiN-B

Matt Brass: TiN-A

Matt Chrome: TiN-C

Matt Black: TiN-K

Titanium Finish

The surface of the door handles and labels M&T is coated with a hard, chemically stable film using methods PVD and PACVD. This technological process is done under lower pressure in vacuum chambers. In the PACVD (Plasma Assisted Chemical Vapour Deposition) process, the coating grows due to heterogeneous chemical reaction on the surface of the substrate.

The reaction substances are supplied in the gas phase. These gases are activated in low temperatures plasma where molecules are dissociated and radicals, ions and excited atoms arise. It decreases the activations energy necessary for the chemical reaction so the reaction temperature can be lower. Moreover, the properties of the growing layer can be controlled by the variation of the plasma parameters. In the PVD (Physical Vapour Deposition) process, the coating grows due to deposition of atoms coming from a solid-state target place in the vacuum recipient walls.

Advantages

A thin layer of 2 microns has several advantages, which makes it so exceptional:

The extraordinary hardness

7 times harder than handles with a protective baked enamel

High resistance to abrasion and scratching

Cannot be damaged/ scratched with normal use

Colours and chemical stability

The surface even after many years has the same colour

Corrosion

Quality applied coatings are only slightly microporous, which prevents the penetration of small particles to material of handle and thus the formation of corrosion.

Brass Finishes

- Internal and external use
- Anti-microbial
- Maintenance Free - cotton or micro fibre use
- Lead time: 10 weeks
- Lifetime guarantee for brass

Natural Brass (MS)

Mechanically treated surface on a brass product with a soft texture and colours. The surface ages naturally and the colour changes in according to the weather conditions and climatic conditions.



Polished Brass (MS-L)

Mechanically polished brass surface with a high gloss finish which will gradually patina. Surface gets naturally old and changes colour and appearance according to frequency of use on a brass product with the effect of several years use providing an aged finish. The brass has a combination of lighter and darker shades, and the surface will naturally age and change its colour according to the climatic conditions.



Antique Brass (MS-A)

Mechanically modified surface on a brass product with the effect of several years use providing an aged finish. The brass has a combination of lighter and darker shades, and the surface will naturally age and change its colour according to the climatic conditions.



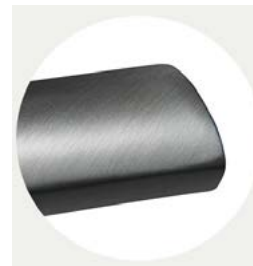
Other Finishes



Cr: Glossy Chrome



SNi: Matt Nickel



SNi- Grinded:
Matt Nickel- Grinded



Cr-K: Black Chrome