

MIMOLIMIT

M&T | Magnetic Pull Handle

Designer: Roman Ulich


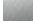



Shown Above: Titanium Matt Black (TiN-K)

Material Handle - Solid Brass



Dimension for Application Minimum door thickness for installation is 40mm

9 Finishes


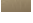
Satin Nickel	SNi	
Satin Nickel - Brushed	SNi - Grinded	
Glossy Chrome	Cr	

Warranty SNi, Cr: **3 years**
Titanium: **15 years**
Brass: **Lifetime**

Brass Finishes

Natural Brass	Ms	
Polished Brass	Ms-L	

Titanium / PVD Finishes

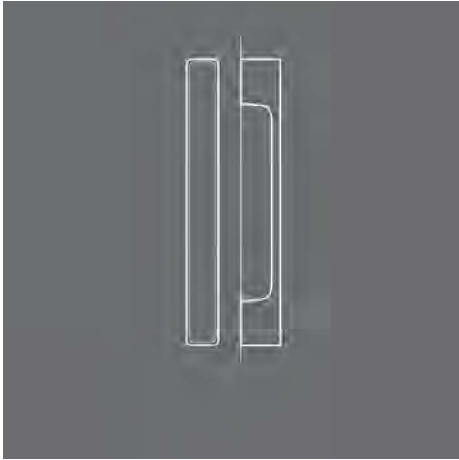
Black	TiN-K	
Matt Chrome	TiN-C	
Matt Brown	TiN-B	
Matt Brass	TiN-A	

Dimensions Length: **297 mm**
Width: **33 mm**
Output over the door surfaces: 40mm

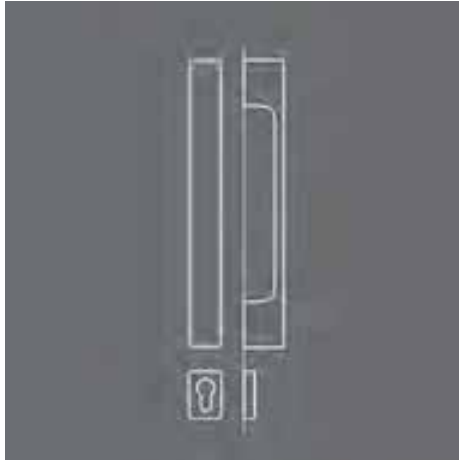
Inner Insert Plates Matt White
Glossy White
Venner
RAL Colours
Custom Build Handle with 3 insert plates or any matching RAL colours

Application For Interior Doors

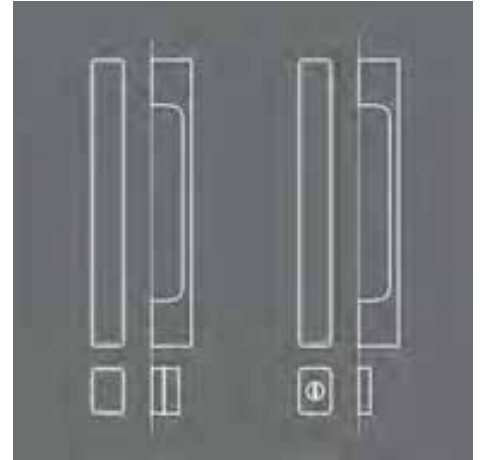
VARIATIONS



MAXIMAL
Standard



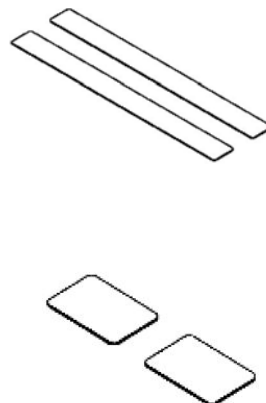
MAXIMAL
With Euro Cylinder



MAXIMAL
WC IN

MAXIMAL
WC EX

MAXIMAL | with M&T Magnetic Closing System



MAXIMAL PULL HANDLE
Customisable Inner Insert Plates

MAXIMAL WC Privacy
Customisable Inner Insert Plates
for WC/bathroom

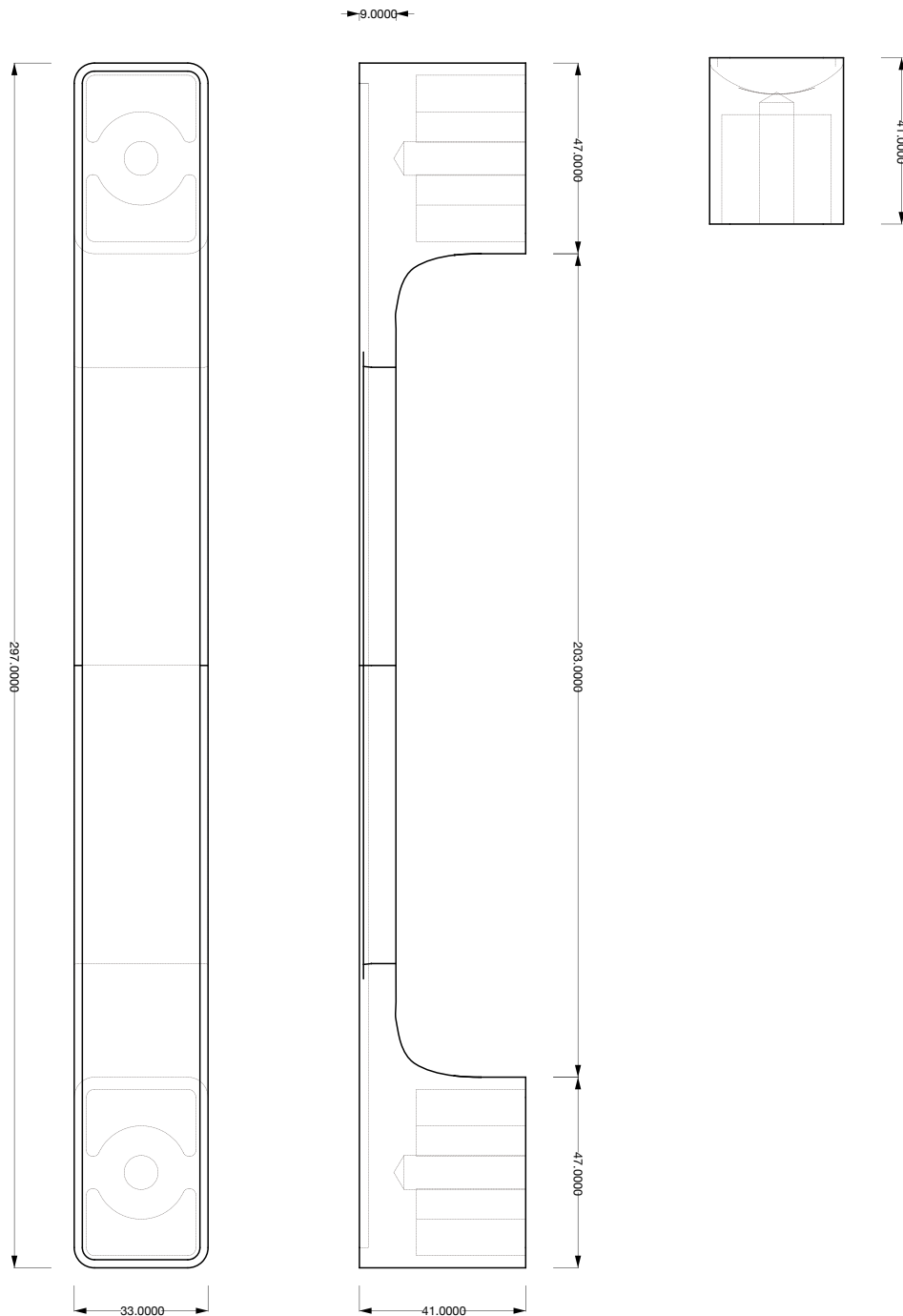
DIMENSIONS & ASSEMBLY

Assembly System Assembling long handgrips with each other using set screws M6.

W/C Variant
Install with Cylindrical WC lock (Round or Square).

Preparation for door Hole Milling

Assembly Time 2-4 minutes
W/C Bathroom Variant 5-10 minutes

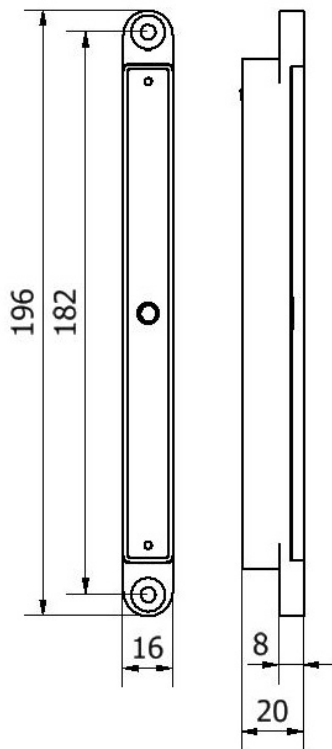


LOCK OPTION

M&T | Magnetic Door Closing System



Dimensions



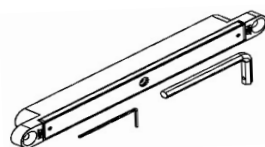
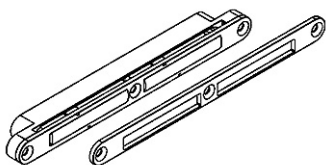
M&T Magnetics is a revolutionary magnetic system that enables doors to open easily and close perfectly. Strong magnets in the door and frame allow for perfectly smooth and noiseless closing, holding the door closed without the need for a lock. Intended primarily for internal doors, the range also includes mini locks that can be added where extra privacy is needed

Material Metal Body
Neodymium Magnets

3 Finishes Satin Stainless Steel
White
Black

Warranty Surfaces: **3 years**
Function: **30 years**

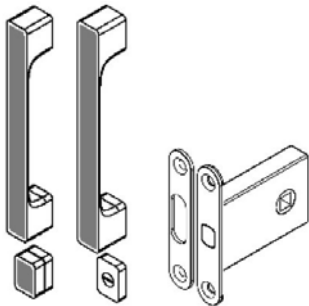
Application Designed for interior doors for heights up to 3m and for door weights up to 200kg. Efficiency can be increased by using 2 or more magnets.



Cylindrical WC/Euro lock

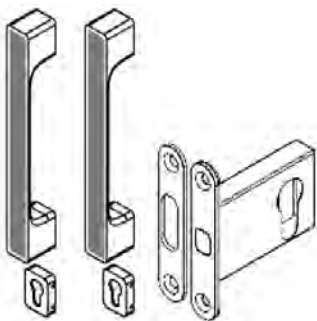


Magnetic is a system that reliably controls and closes the door but does not lock it. For complete safe locking we have also prepared bathroom/toilet lock and security lock with cylinder.



WC IN WC EX WC Lock

OR



EURO Square Euro Lock

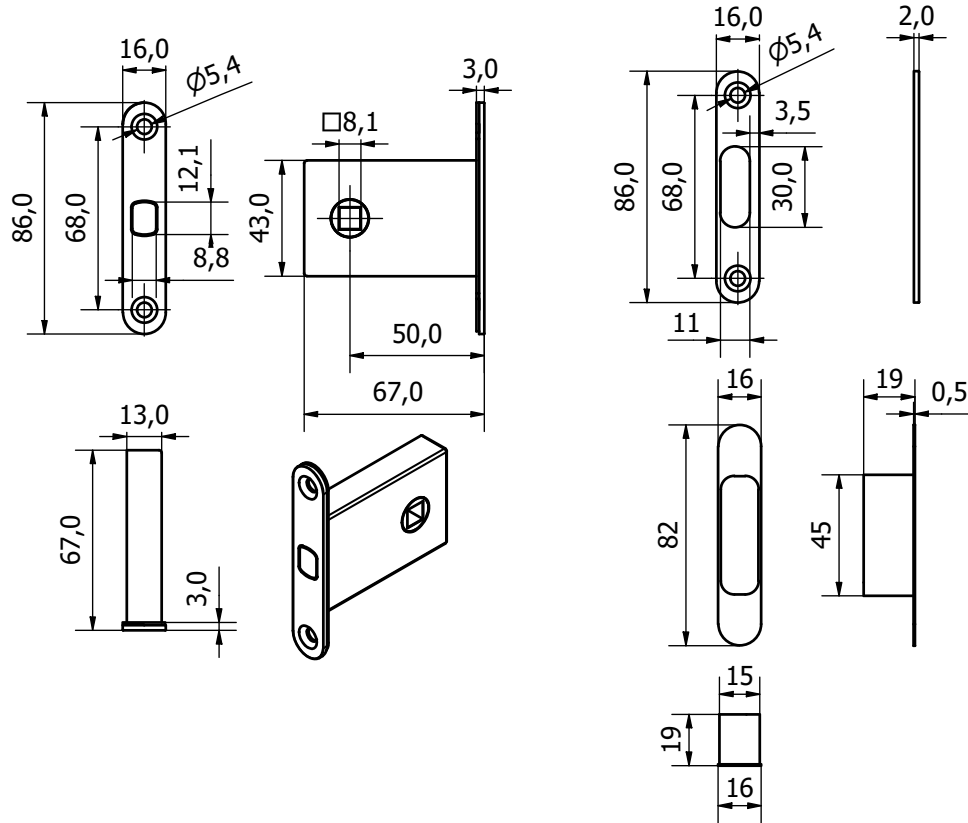
Material Brass
Stainless Steel
Magnetic Stainless Steel

3 Finishes Stainless Steel Brushed
Matt White
Matt Black

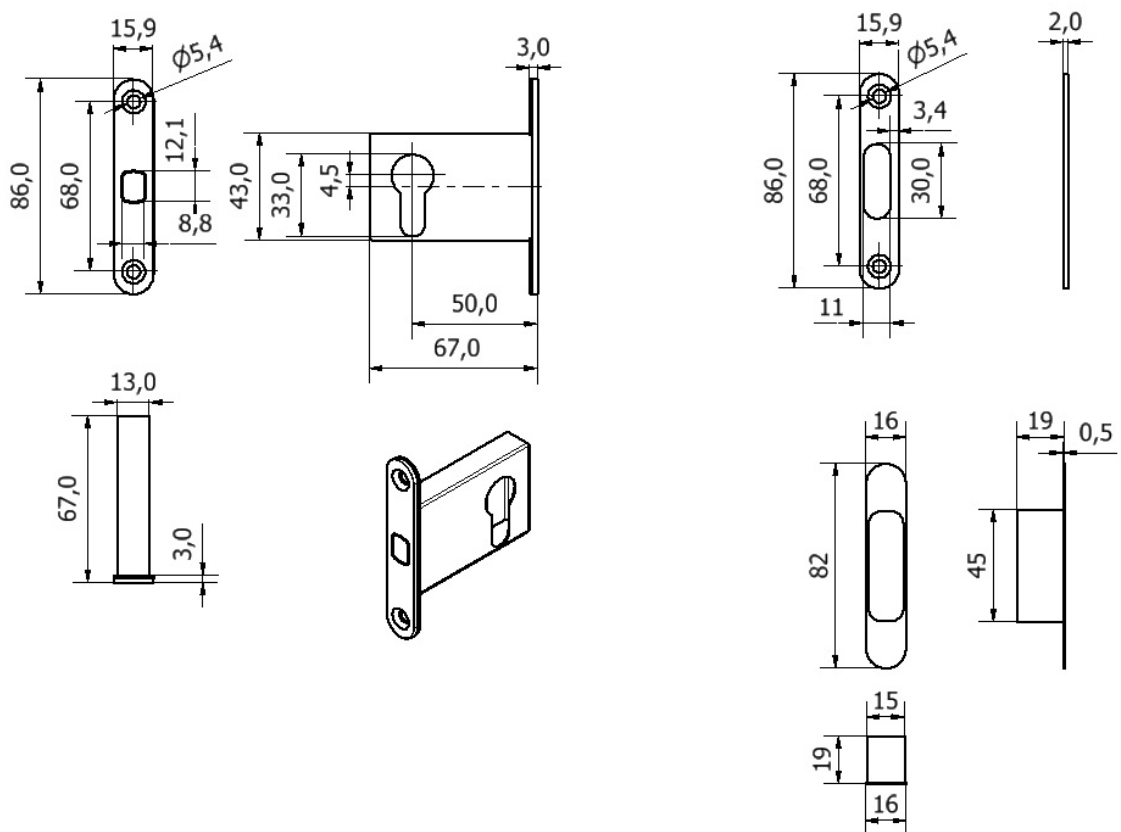
Warranty Surfaces: **3 years**

Application Standard for door thickness 38-45mm. Bigger thicknesses must be specified for longer assembly components

WC Square Rosette Lock



Euro Lock



Titanium Finish



The surface of the door handles and labels M&T is coated with a hard, chemically stable film using methods PVD and PACVD. This technological process is done under lower pressure in vacuum chambers. In the PACVD (Plasma Assisted Chemical Vapour Deposition) process, the coating grows due to heterogeneous chemical reaction on the surface of the substrate.

necessary for the chemical reaction so the reaction temperature can be lower. Moreover, the properties of the growing layer can be controlled by the variation of the plasma parameters. In the PVD (Physical Vapour Deposition) process, the coating grows due to deposition of atoms coming from a solid-state target plate in the vacuum recipient walls.

The reaction substances are supplied in the gas phase. These gases are activated in low temperatures plasma where molecules are dissociated and radicals, ions and excited atoms arise. It decreases the activation energy

Advantages

A thin layer of 2 microns has several advantages, which makes it so exceptional:

- The extraordinary hardness** 7 times harder than handles with a protective baked enamel
- High resistance to abrasion and scratching** Cannot be damaged/ scratched with normal use
- Colours and chemical stability** The surface even after many years has the same colour
- Corrosion** Quality applied coatings are only slightly microporous, which prevents the penetration of small particles to material of handle and thus the formation of corrosion.

Brass Finishes

- Internal and external use
- Anti-microbial
- Maintenance Free - cotton or micro fibre use
- Lead time: 10 weeks
- Lifetime guarantee for brass



Natural Brass (Ms)

Mechanically treated surface on a brass product with a soft texture and colours. The surface ages naturally and the colour changes in according to the weather conditions and climatic conditions.



Polished Brass (Ms-A)

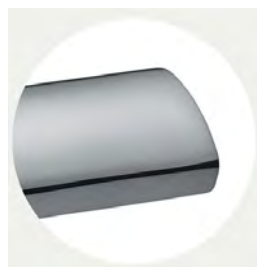
Mechanically modified surface on a brass product with the effect of several years use providing an aged finish. The brass has a combination of lighter and darker shades, and the surface will naturally age and change its colour according to the climatic conditions.



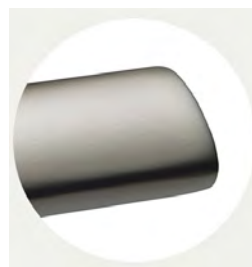
Polished Brass (MS-L)

Mechanically polished brass surface with a high gloss finish which will gradually patina. Surface gets naturally old and changes colour and appearance according to frequency of use on a brass product with the effect of several years use providing an aged finish. The brass has a combination of lighter and darker shades, and the surface will naturally age and change its colour according to the climatic conditions.

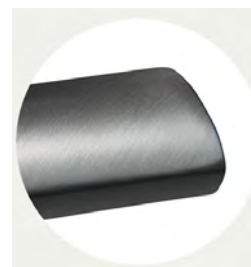
Other Finishes



Cr: Glossy Chrome



SNi: Matt Nickel



SNi- Grinded:
Matt Nickel- Grinded



Cr-K: Black Chrome