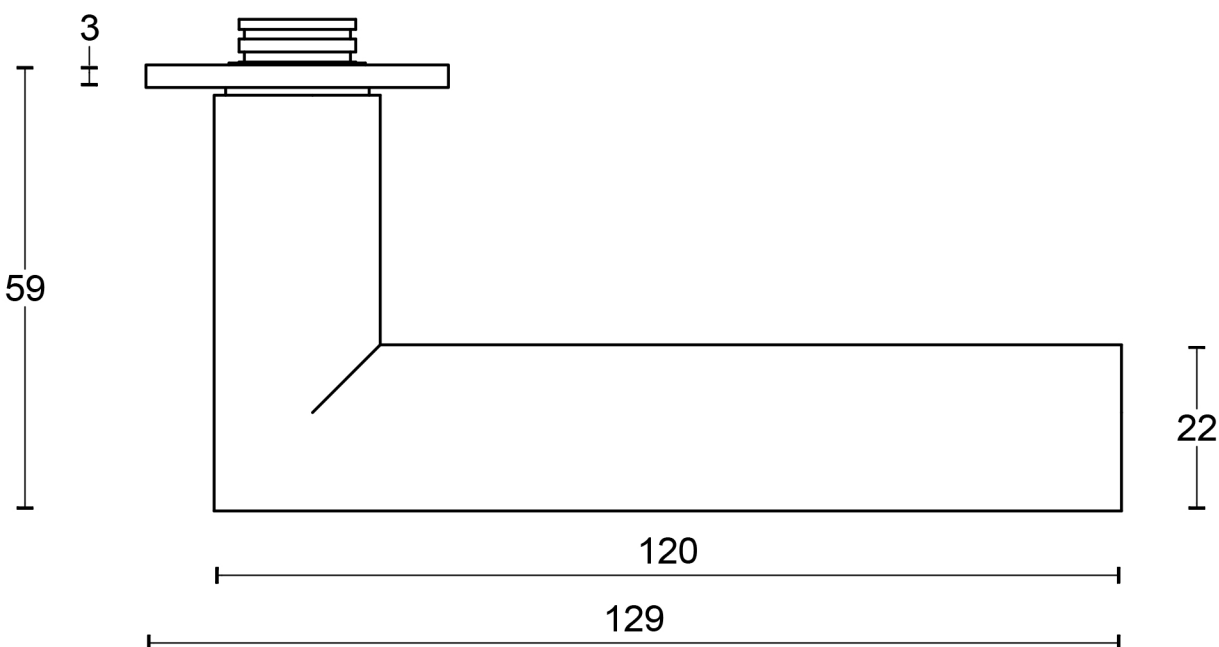
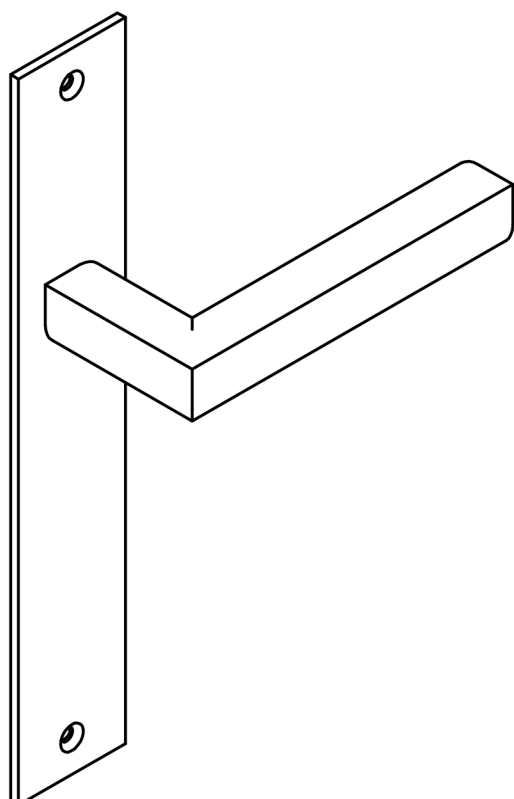
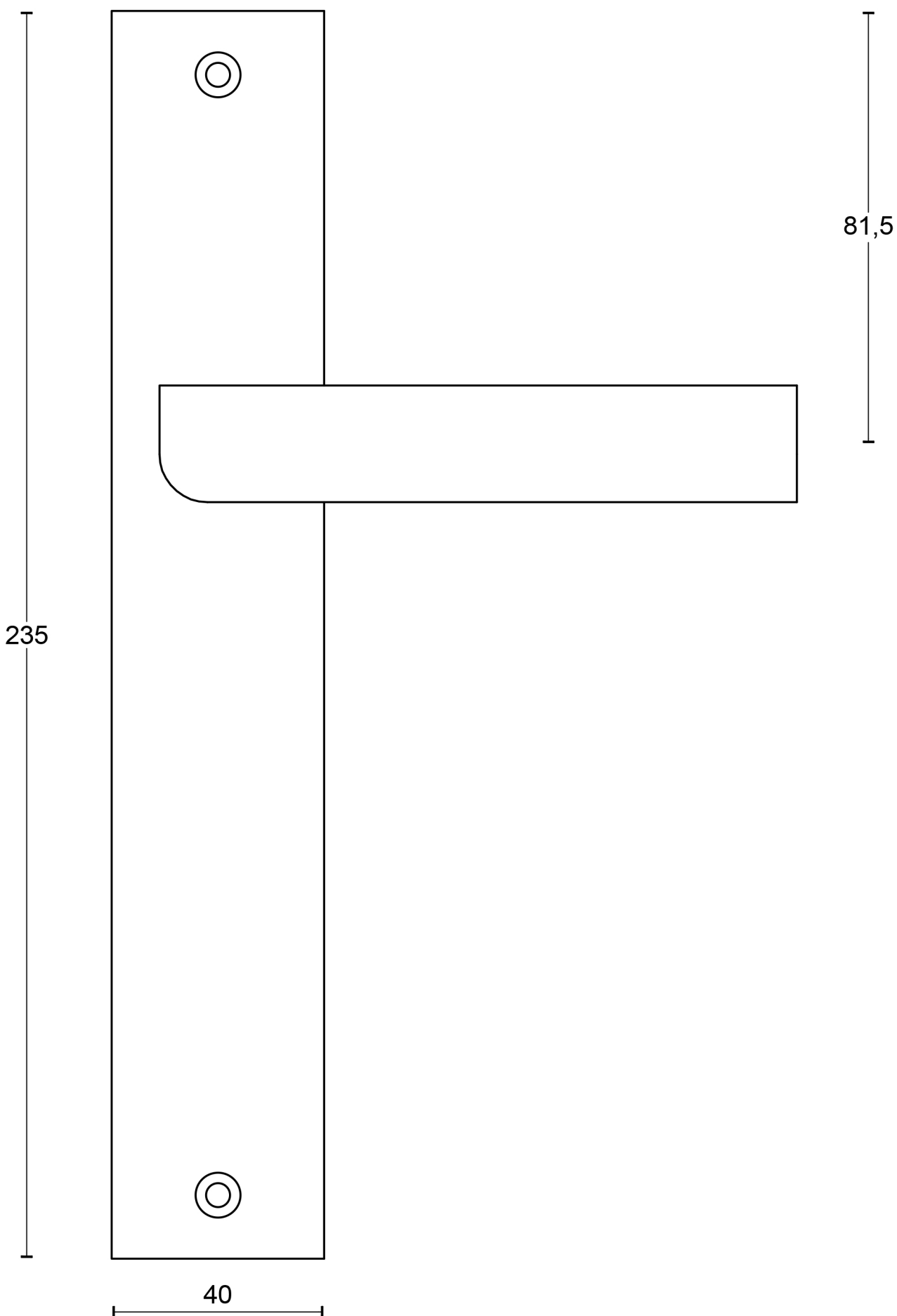
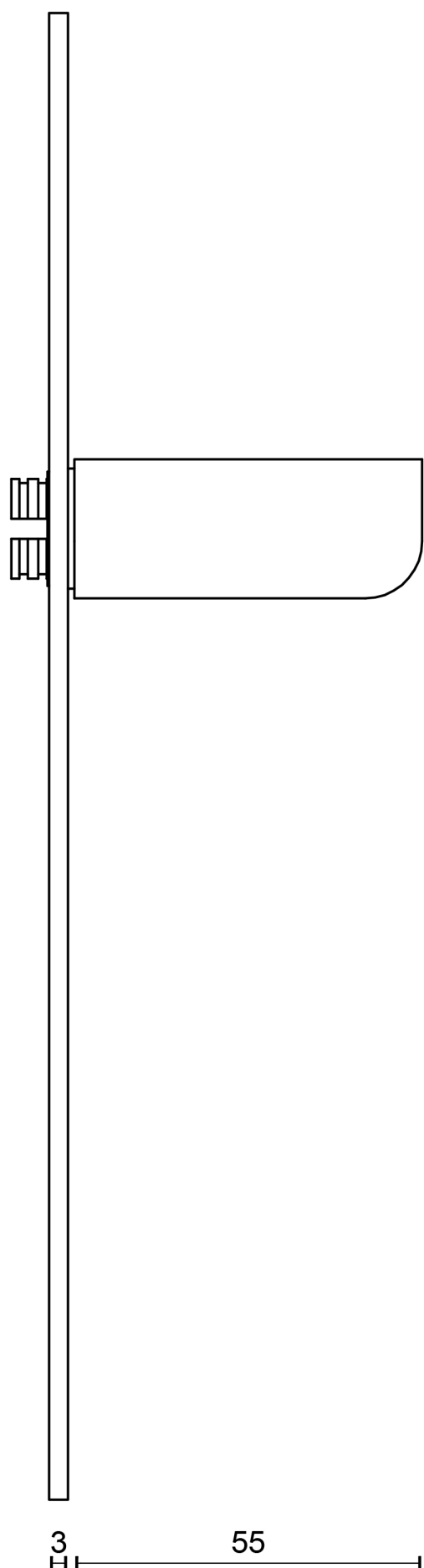
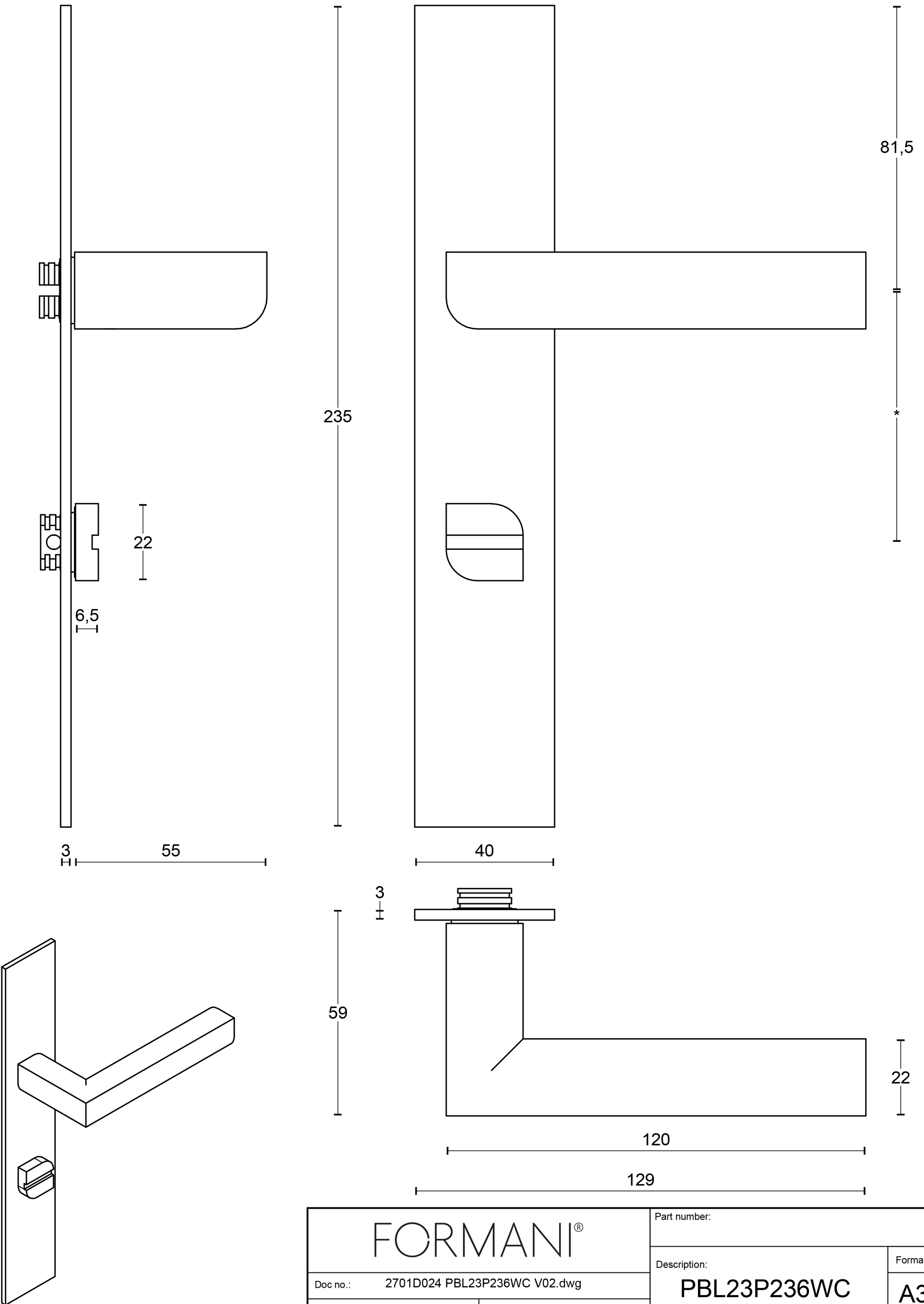


All information on the drawing is the property of Formani Holland B.V. and may not be copied, in any way whatsoever without obtaining the permission in writing from Formani Holland B.V.



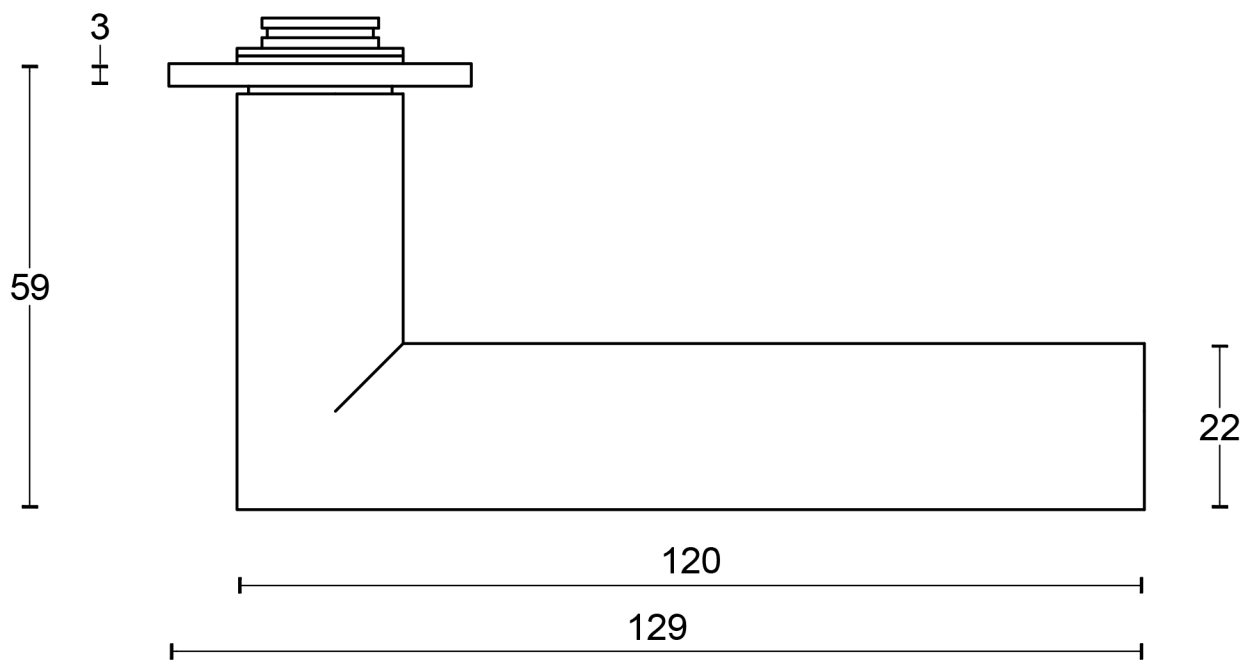
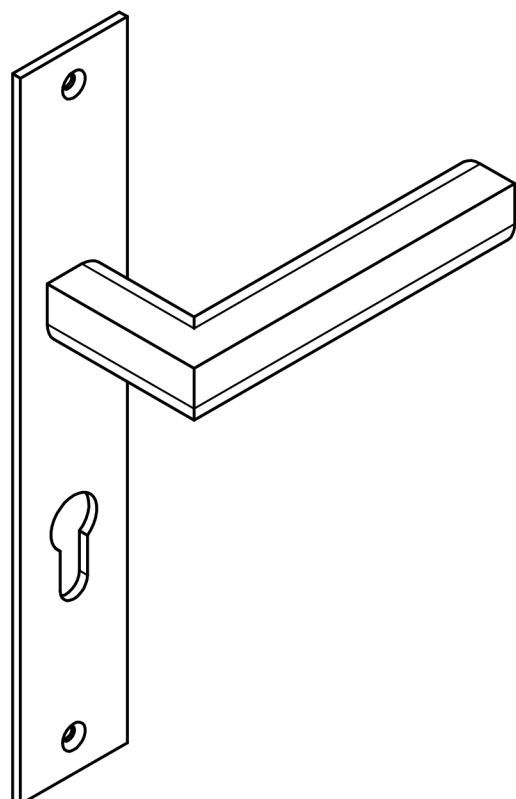
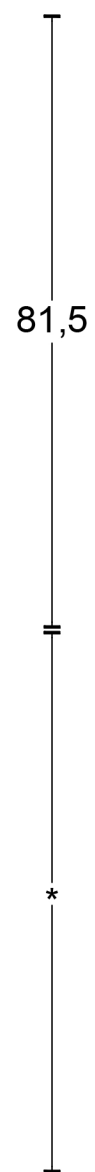
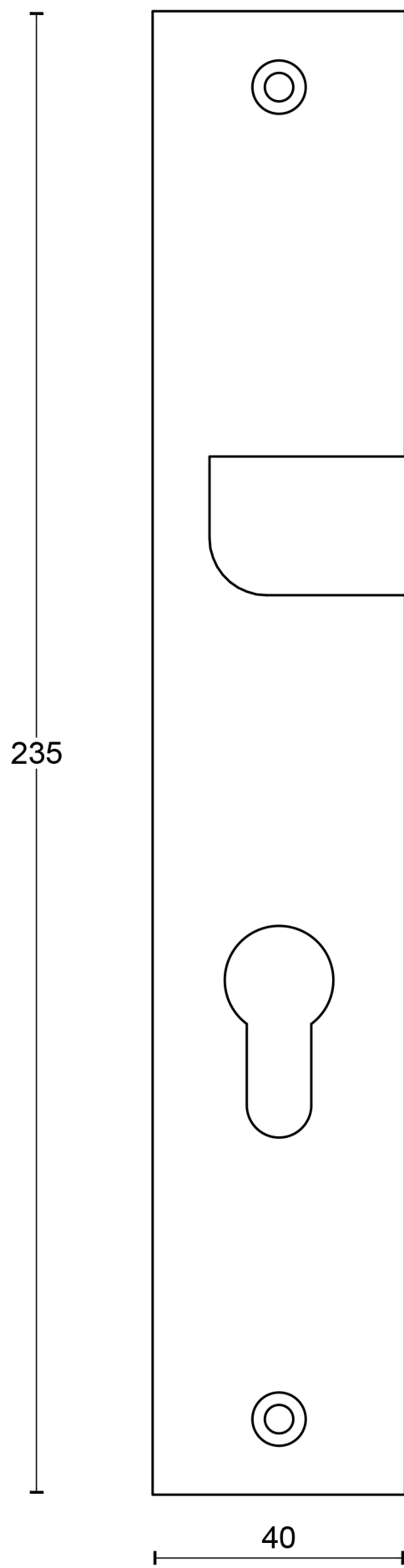
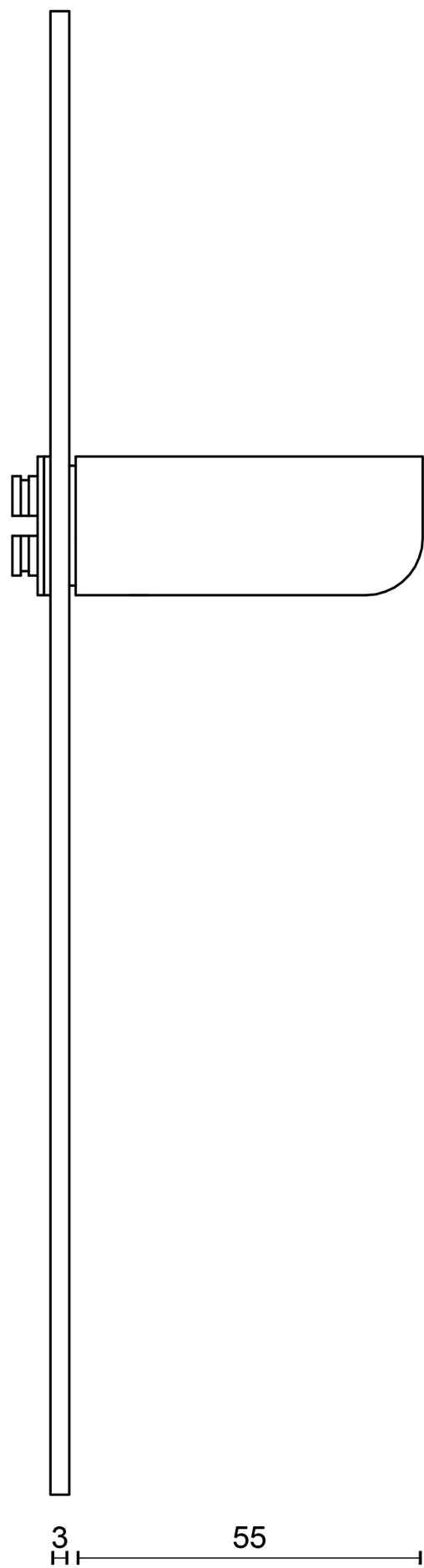
<h2>FORMANI®</h2>		Part number:	
		Description:	
Doc no.:	2701D024 PBL23P236SFC V02.dwg	<h1>PBL23P236SFC</h1>	Format:
Drawn by:	Christian Brimbois		Creation date:
Formani Holland B.V.		FROM TWO TEASE ARCHITECTURAL HARDWARE	
		www.twotease.com.au info@twotease.com.au	

All information on the drawing is the property of Formani Holland B.V. and may not be copied, in any way whatsoever without obtaining the permission in writing from Formani Holland B.V.



<b>FORMANI®</b>		Part number:	
		<b>PBL23P236WC</b>	
Doc no.:	2701D024 PBL23P236WC V02.dwg	Description:	Format:
Drawn by:	Christian	Creation date:	7-5-2012
Formani Holland B.V. * FROM TWO TEASE ARCHITECTURAL HARDWARE		www.twotease.com.au info@twotease.com.au	

All information on the drawing is the property of Formani Holland B.V. and may not be copied, in any way whatsoever without obtaining the permission in writing from Formani Holland B.V.



<b>FORMANI®</b>		Part number:	
		<b>PBL23P236Y</b>	
Doc no.: 2701D024 PBL23P236Y V01.dwg	Description:		
Drawn by: Christian	Creation date: 7-5-2012	<b>A3</b>	
Formani Holland B.V. FROM TWO TEASE ARCHITECTURAL HARDWARE			