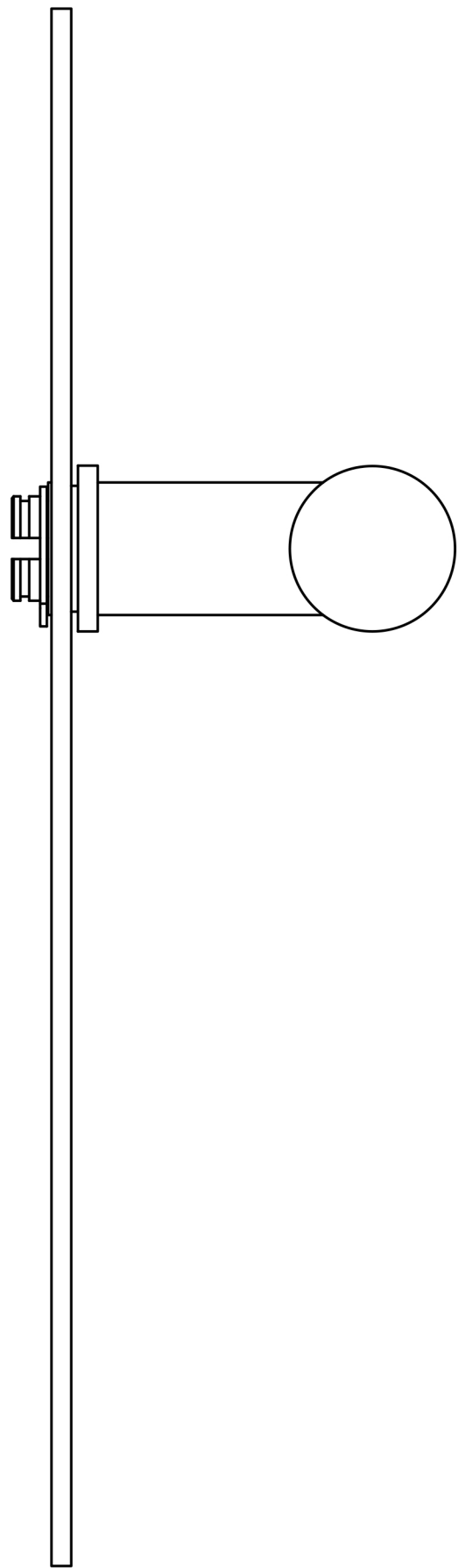
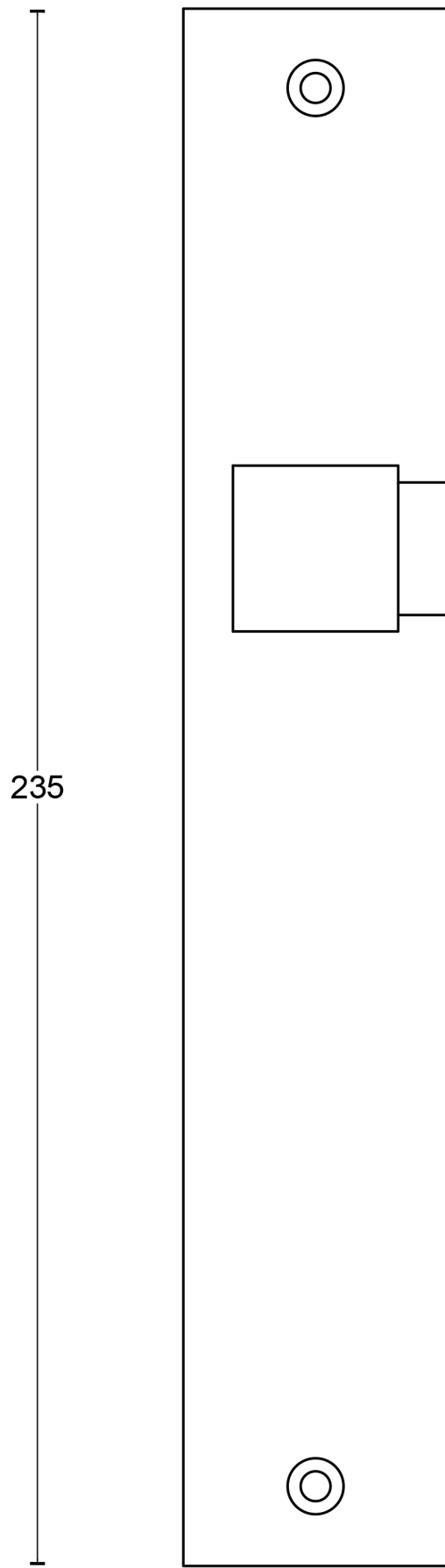


All information on the drawing is the property of Formani Holland B.V. and may not be copied, in any way whatsoever without obtaining the permission in writing from Formani Holland B.V.



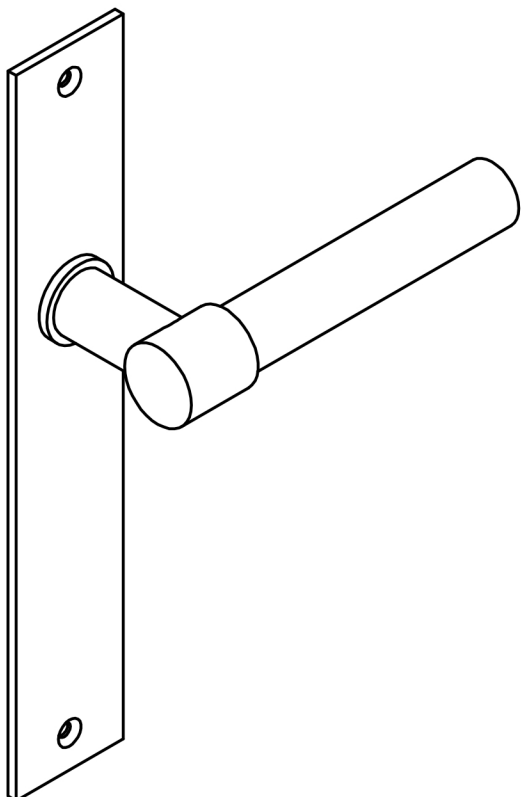
3 57



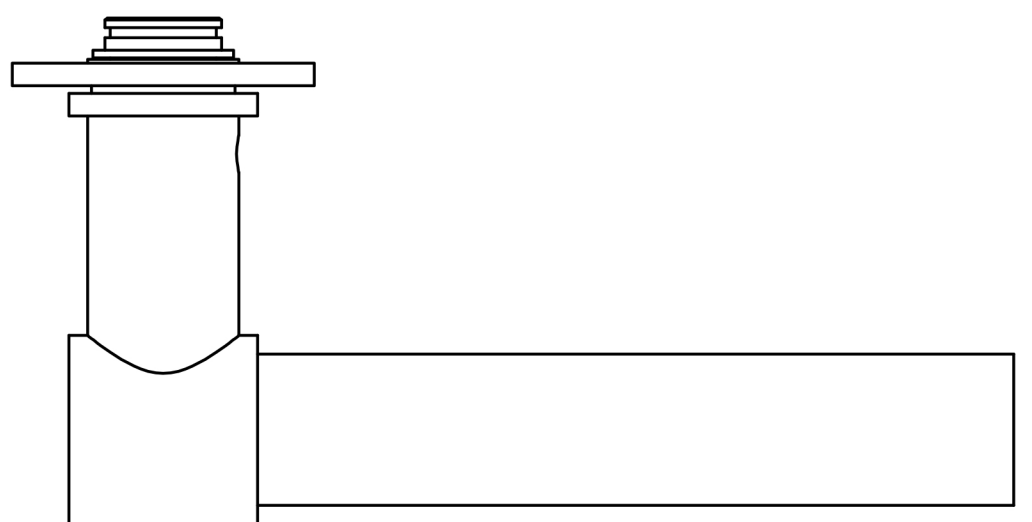
235

40

81,5



3
61
25



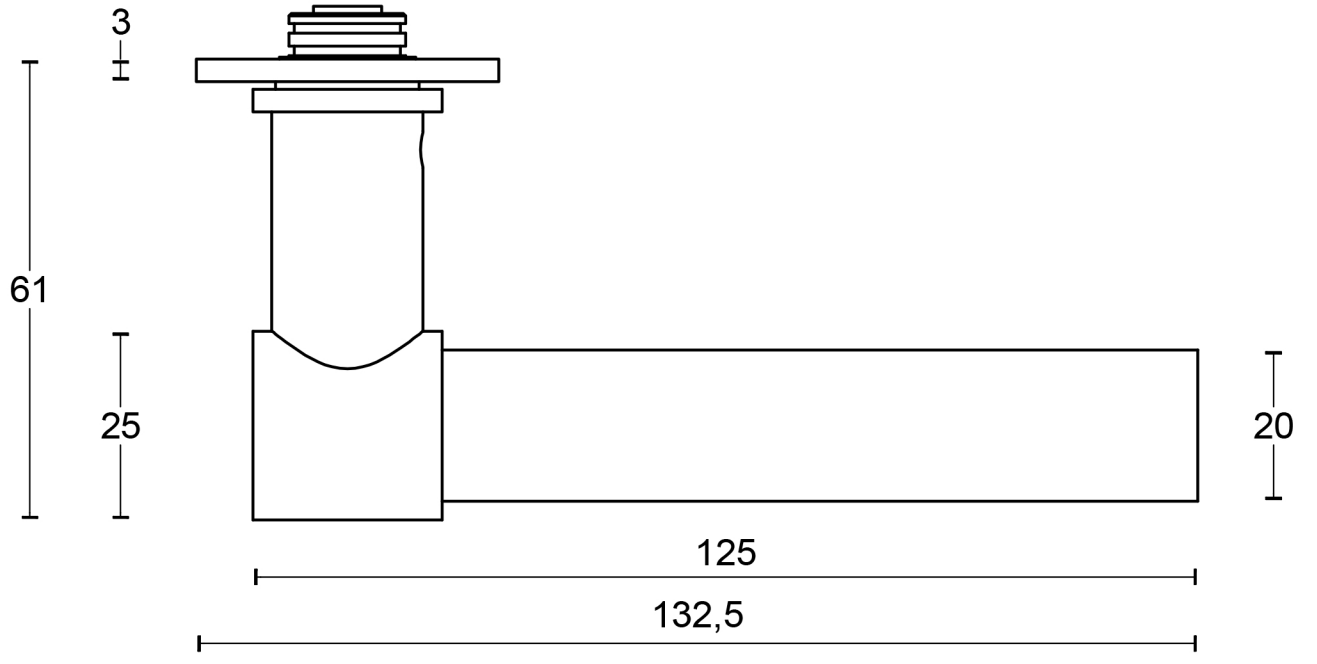
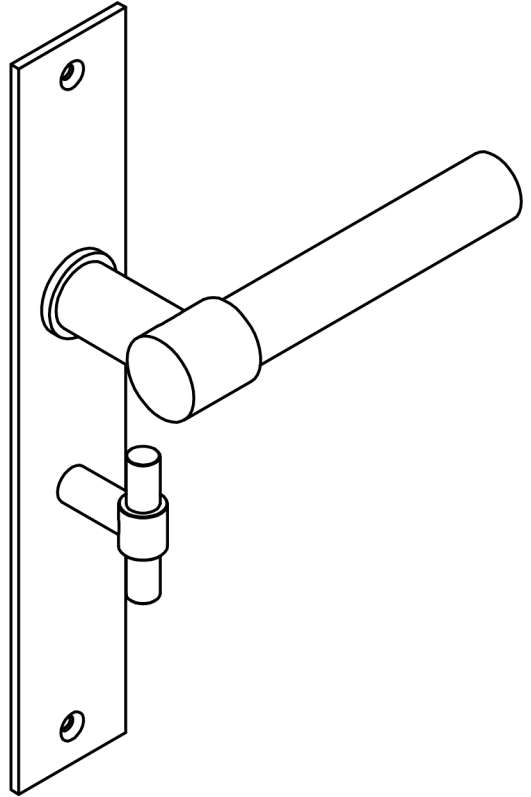
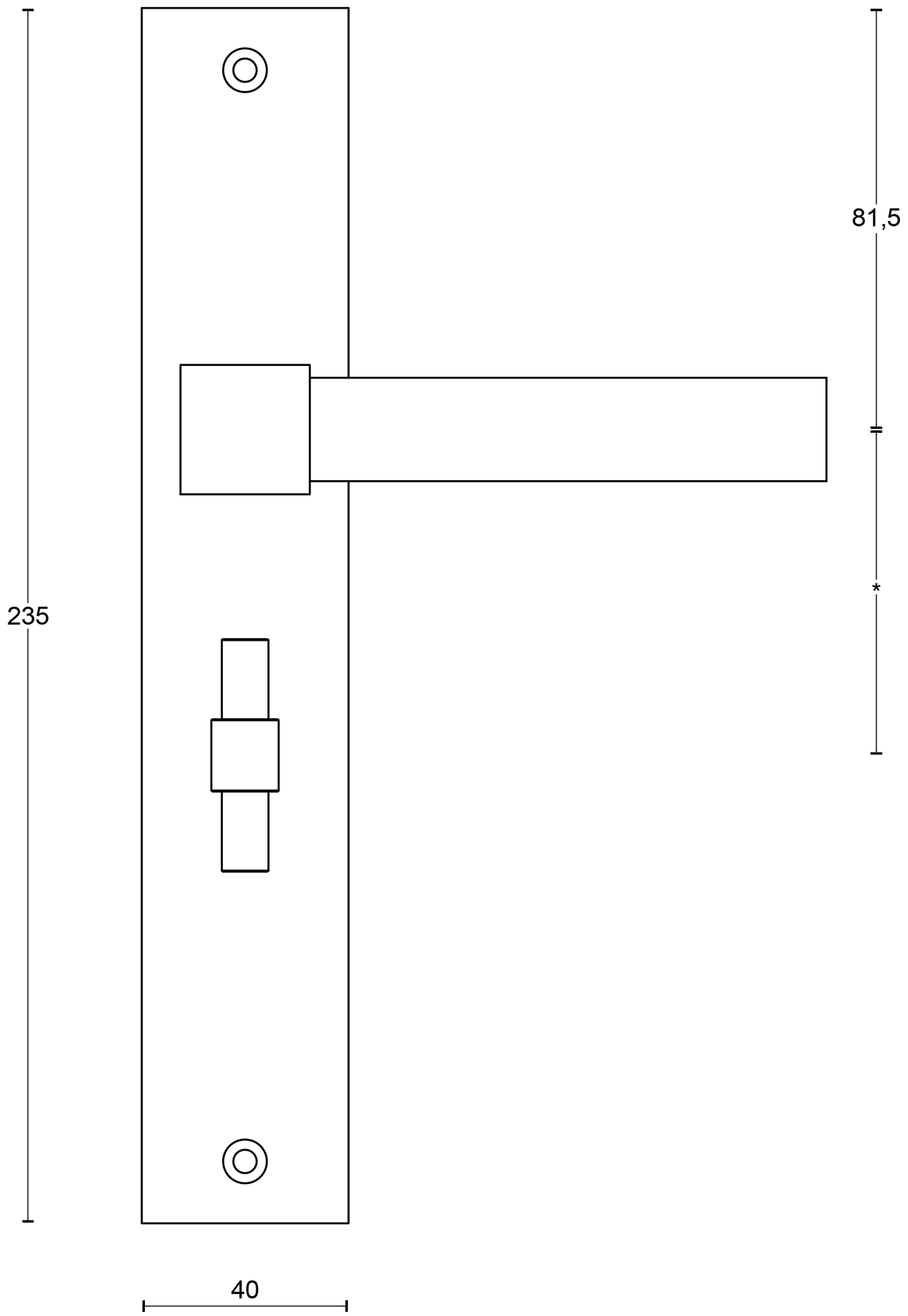
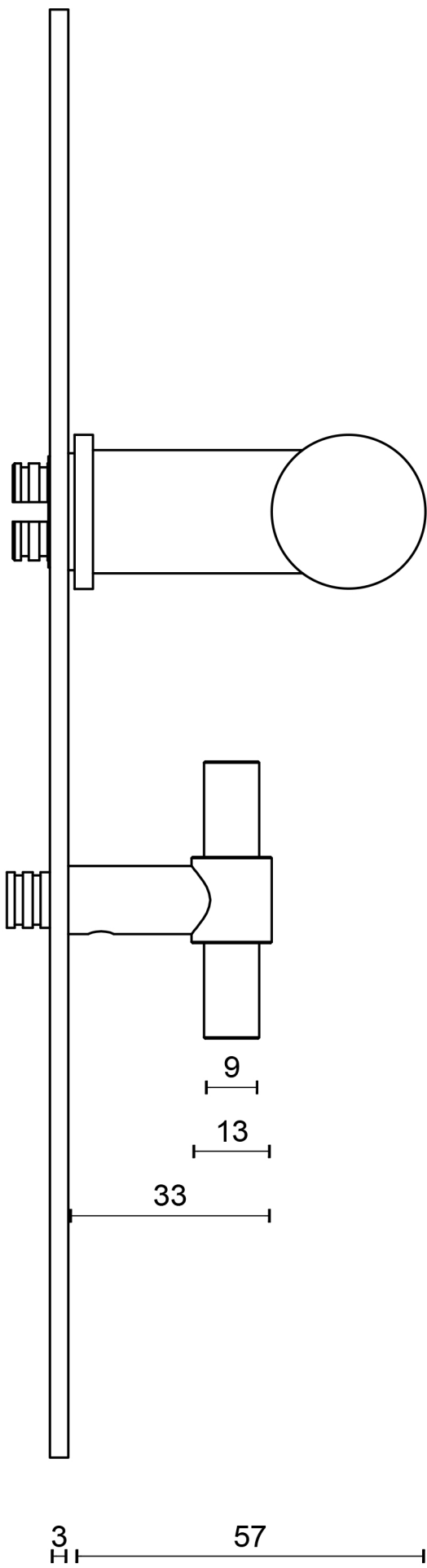
125

132,5

20

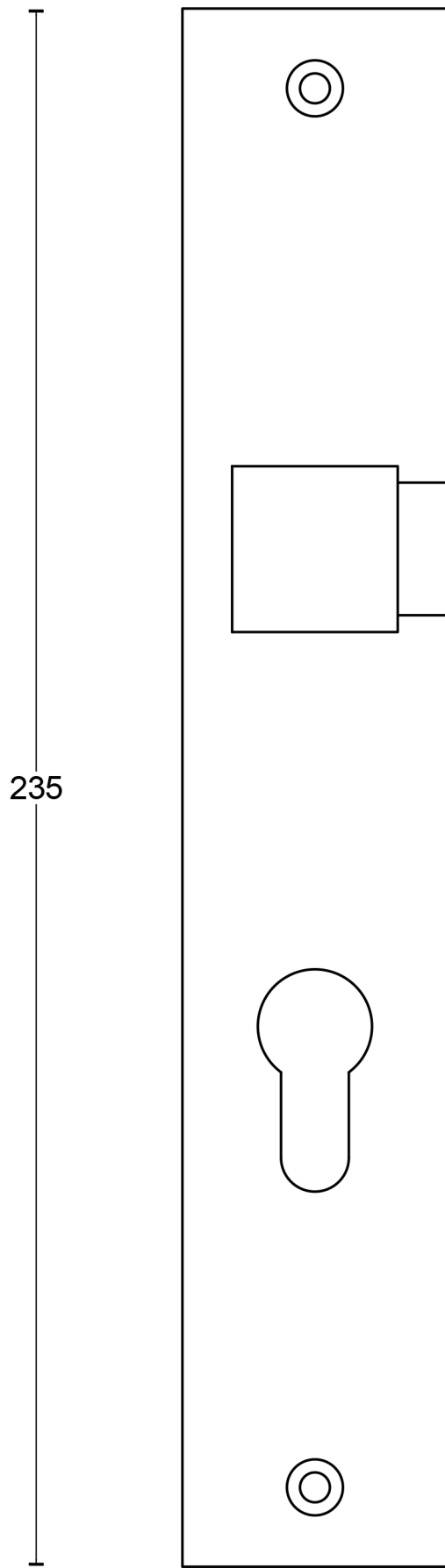
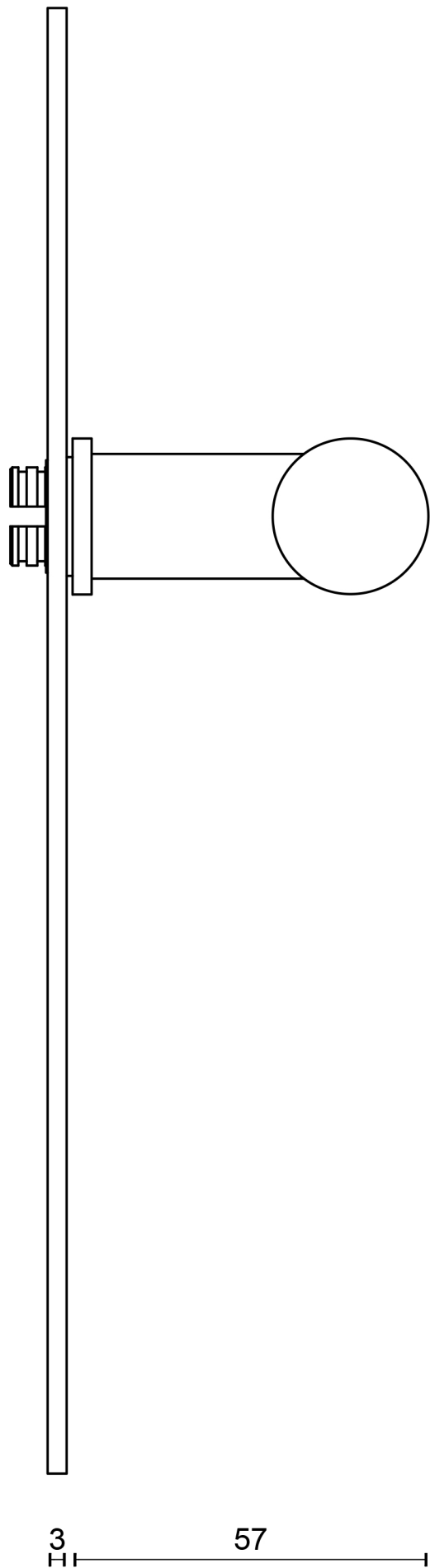
<h2>FORMANI®</h2>		Part number:	
		Description:	
Doc no.: 2701D014 PBL20XLP236SFC V01.dwg		A3	
Drawn by: Christian Brimbois	Creation date: 5-9-2017		
FORMANI HOLLAND B.V.		FROM TWO TEASE ARCHITECTURAL HARDWARE	
		www.twotease.com.au info@twotease.com.au	

All information on the drawing is the property of Formani Holland B.V. and may not be copied, in any way whatsoever without obtaining the permission in writing from Formani Holland B.V.



FORMANI®		Part number:	
Doc no.: 2701D014 PBL20XLP236WC V01.dwg	Drawn by: Christian Brimbois	Creation date: 5-9-2017	Format: A3
FORMANI HOLLAND B.V.		FROM TWO TEASE ARCHITECTURAL HARDWARE	
www.twotease.com.au info@twotease.com.au			

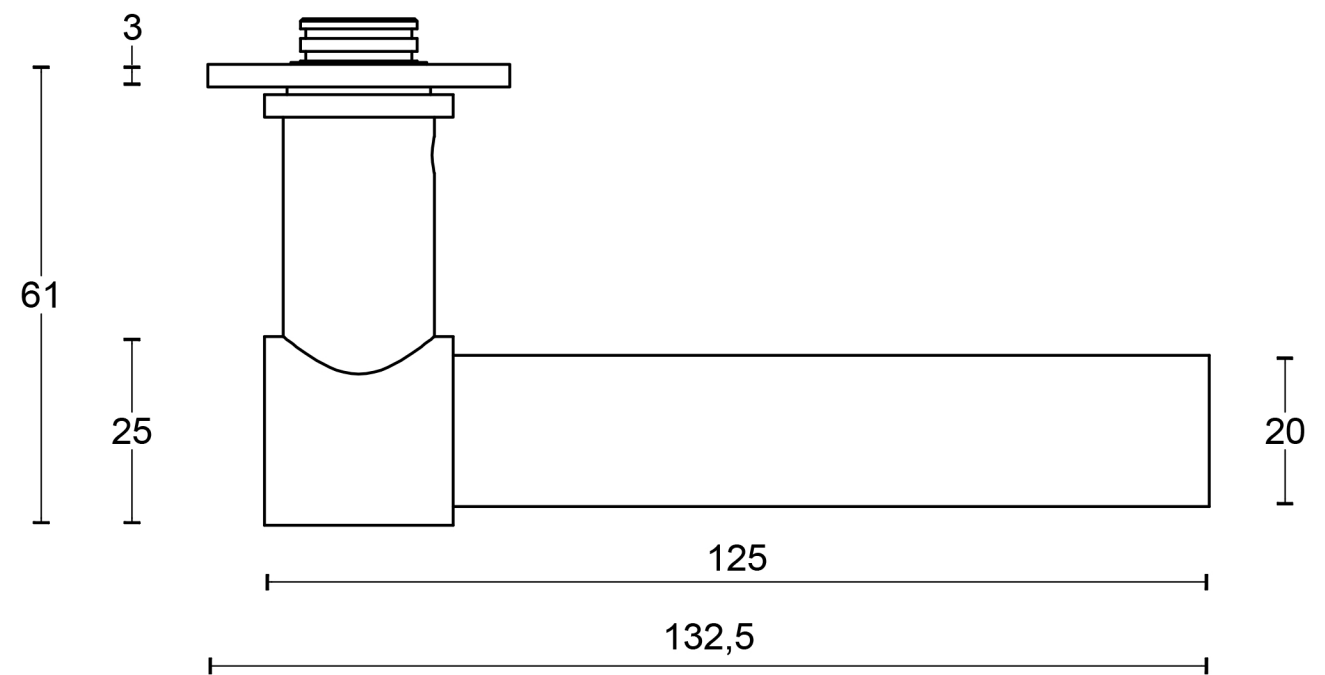
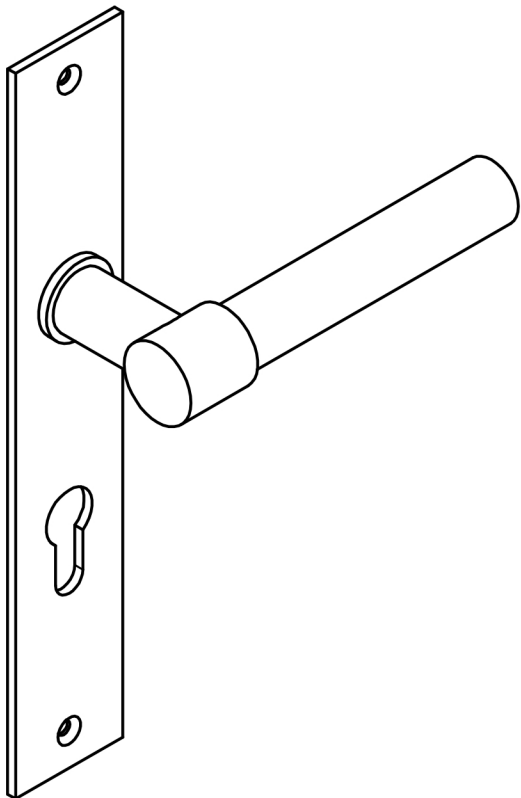
All information on the drawing is the property of Formani Holland B.V. and may not be copied, in any way whatsoever without obtaining the permission in writing from Formani Holland B.V.



81,5

235

3 57



<h1>FORMANI®</h1>		Part number:	
		Description:	
Doc no.: 2701D014 PBL20XLP236Y V01.dwg		A3	
Drawn by: Christian Brimbois	Creation date: 5-9-2017		
FORMANI HOLLAND B.V.		FROM TWO TEASE ARCHITECTURAL HARDWARE	
		www.twotease.com.au info@twotease.com.au	