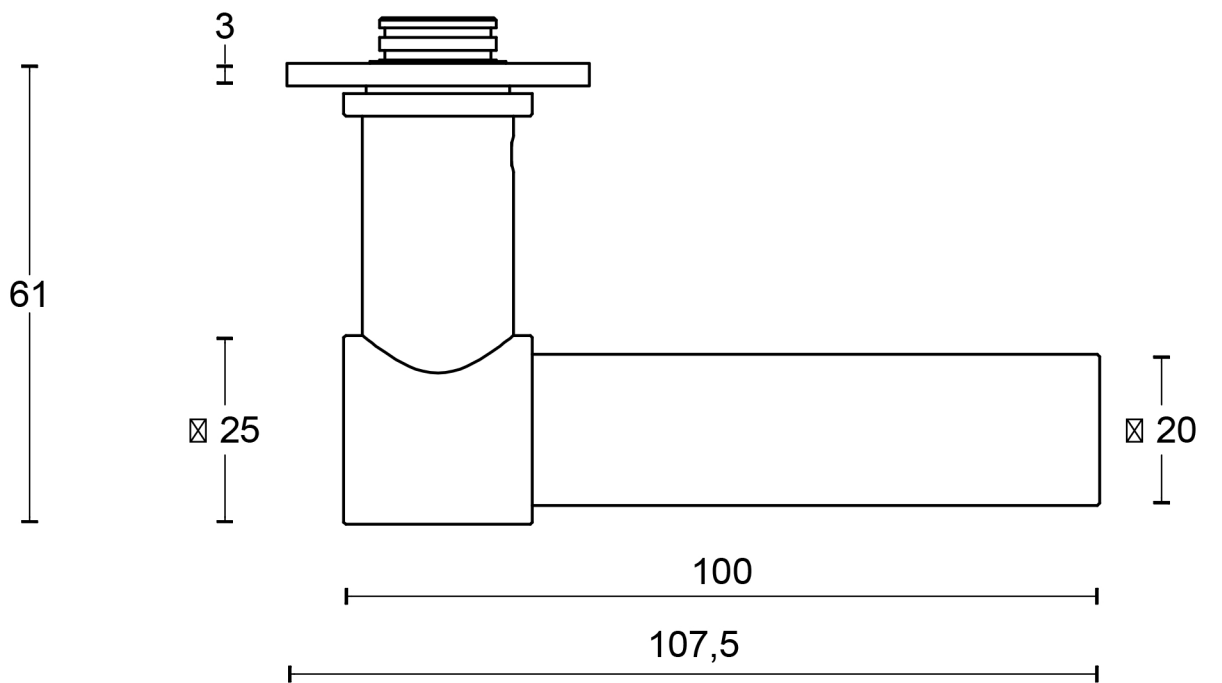
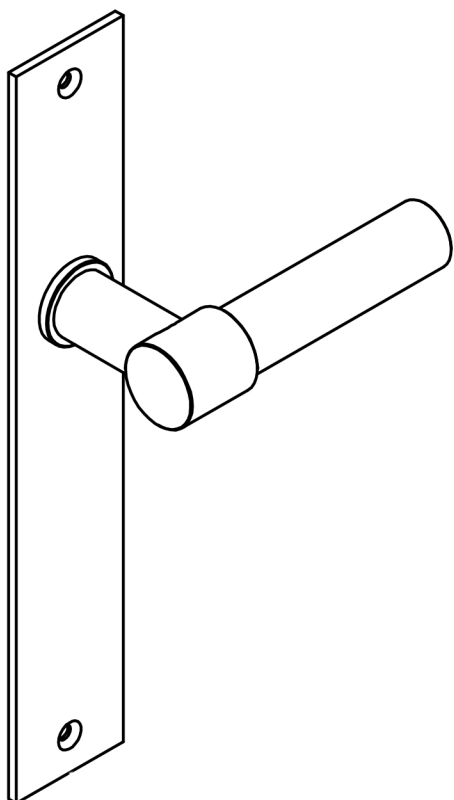
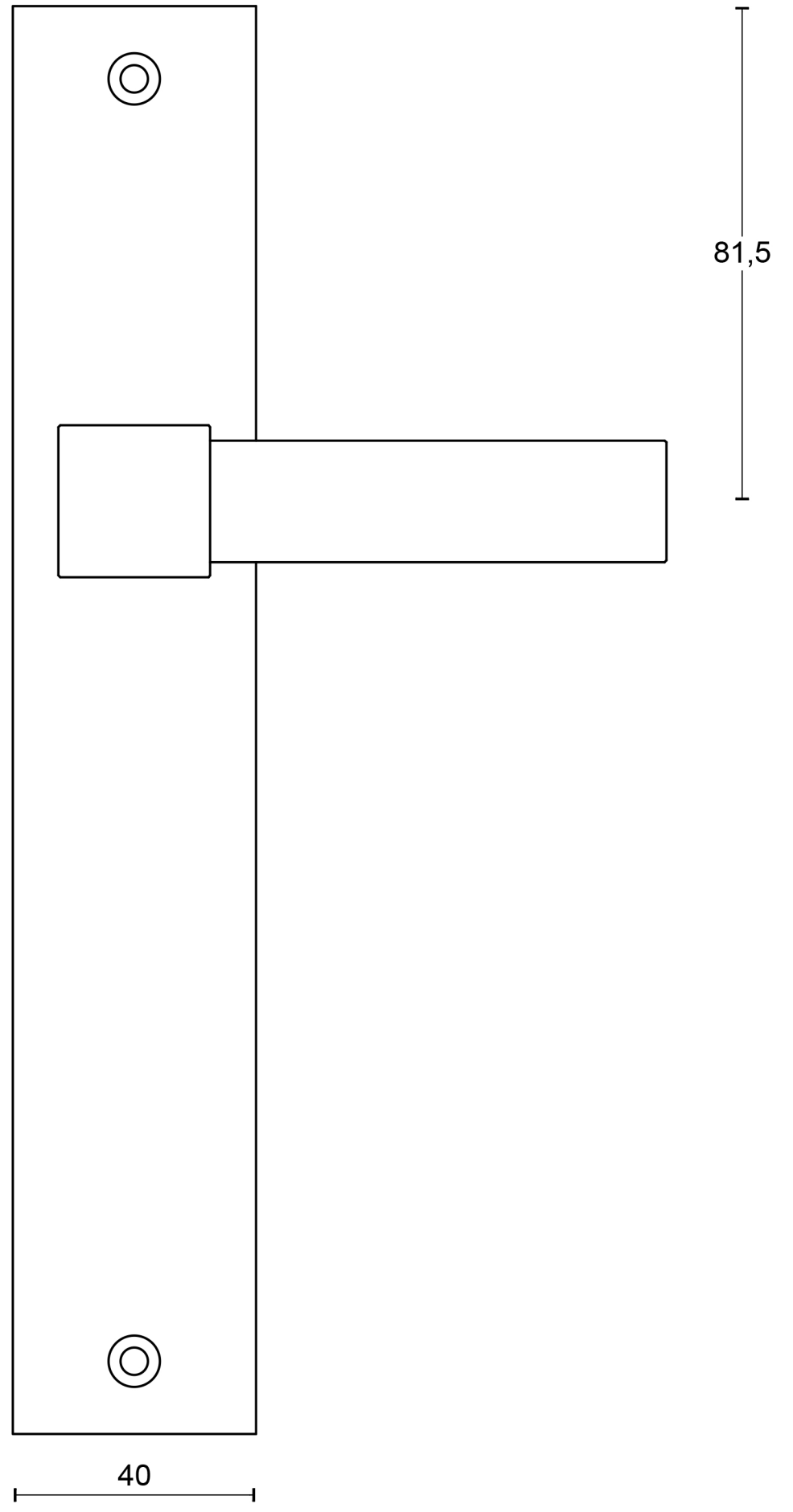
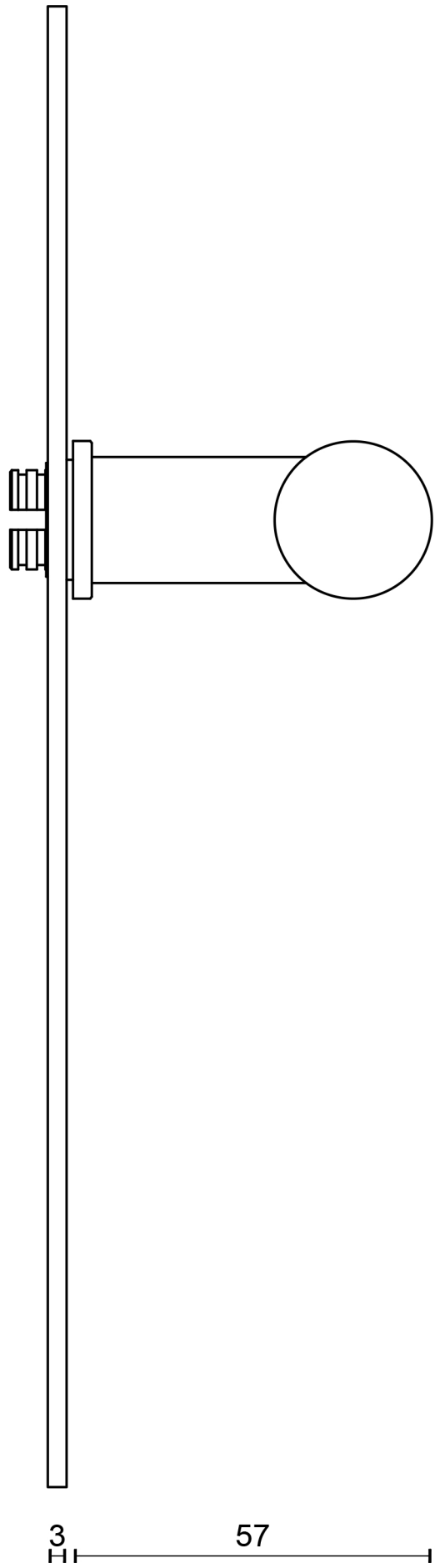
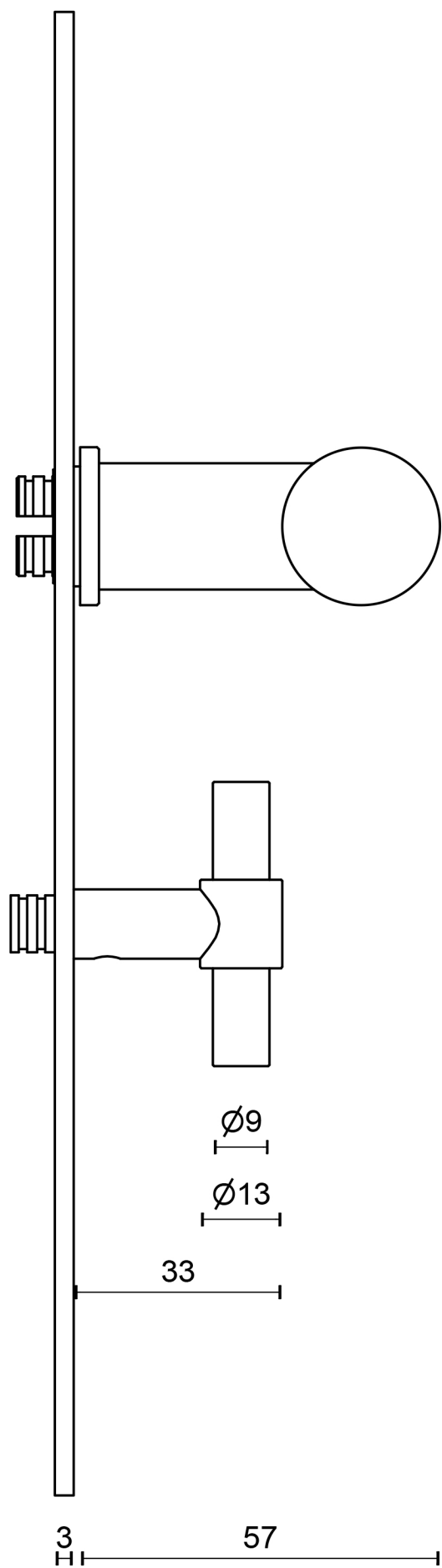


All information on the drawing is the property of Formani Holland B.V. and may not be copied, in any way whatsoever without obtaining the permission in writing from Formani Holland B.V.

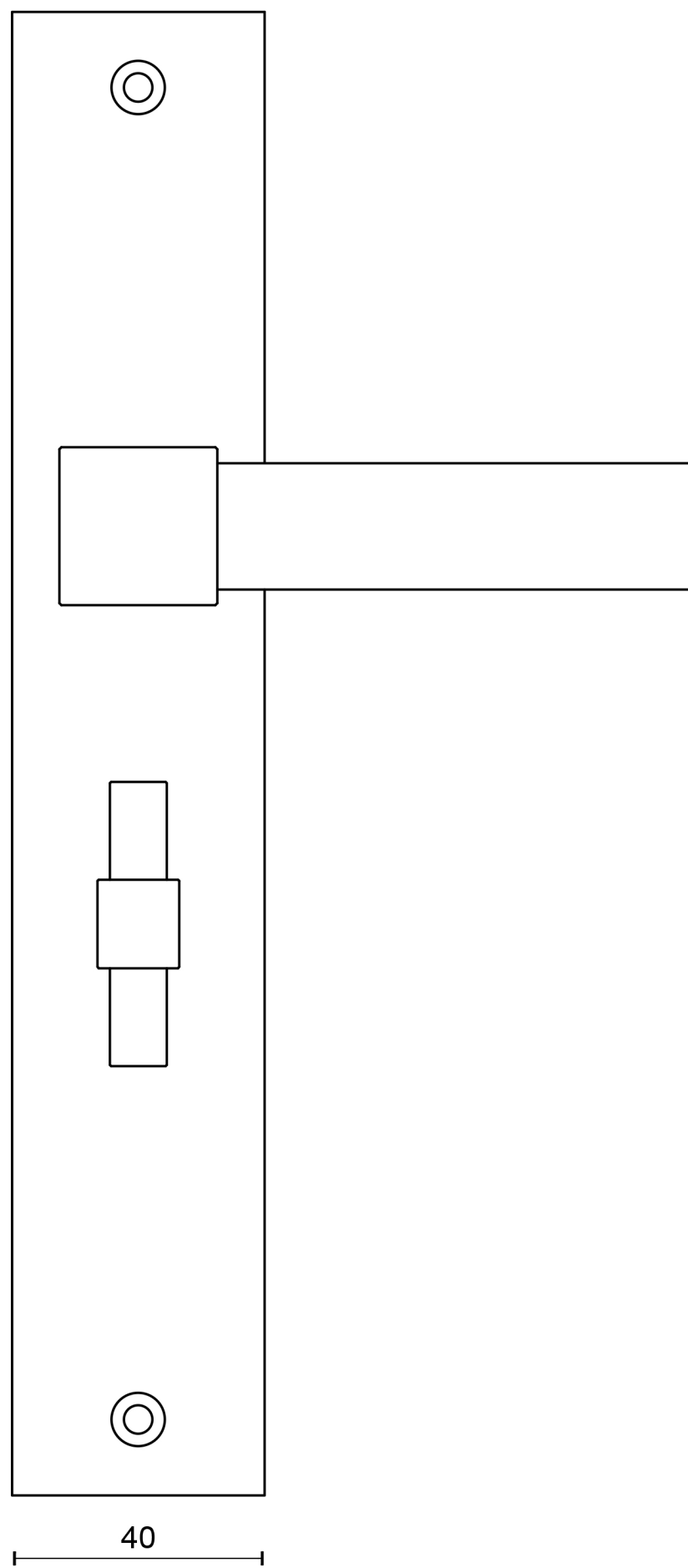


<b>FORMANI®</b>		Part number: <b>2701D004 PBL20P236SFC V01</b>	
Doc no.: 2701D004 PBL20P236SFC V01.dwg		<b>PBL20P236SFC</b>	Format: <b>A3</b>
Drawn by: Christian	Creation date: 8-11-2011		
Formani Holland B.V. Formani FROM TWO TEASE ARCHITECTURAL HARDWARE <a href="http://www.twotease.com.au">www.twotease.com.au</a> <a href="mailto:info@twotease.com.au">info@twotease.com.au</a>			

All information on the drawing is the property of Formani Holland B.V. and may not be copied, in any way whatsoever without obtaining the permission in writing from Formani Holland B.V.

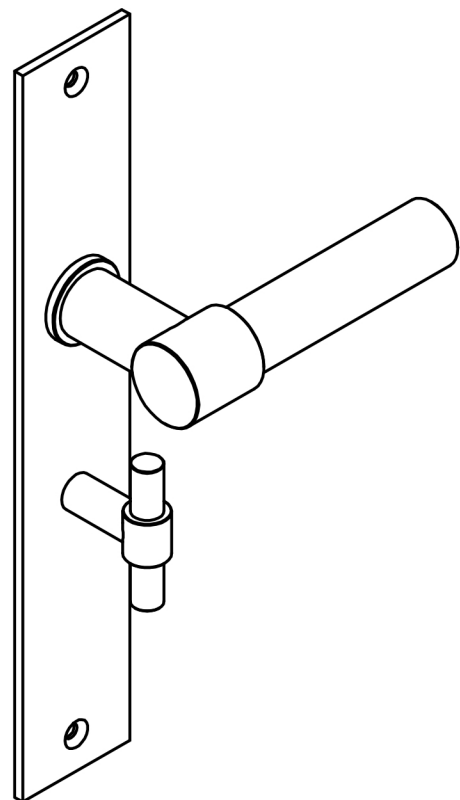


235

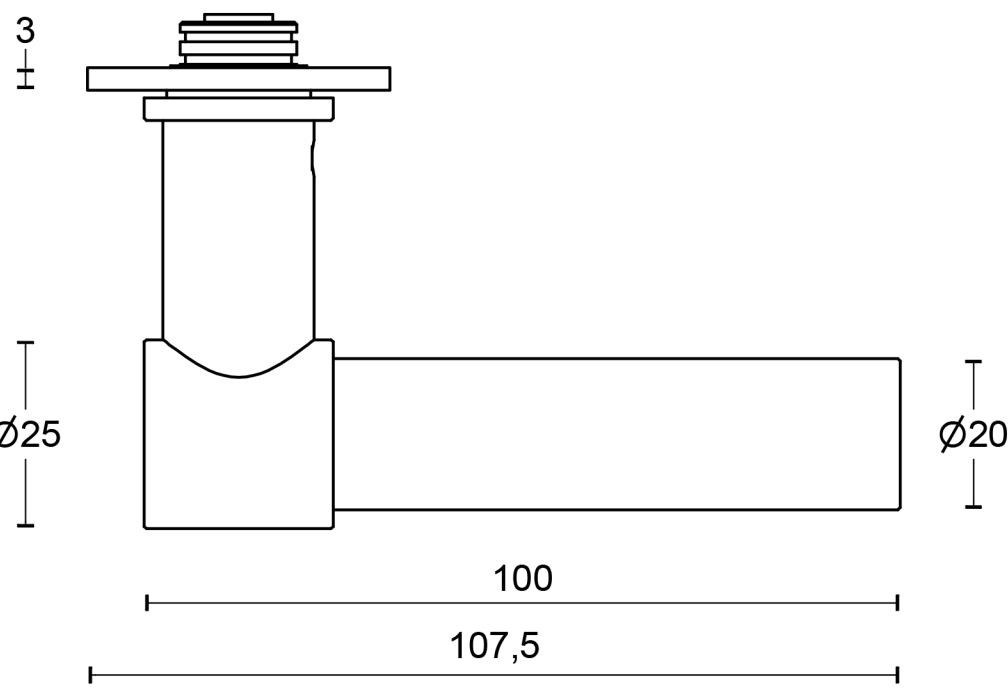


81,5

\*

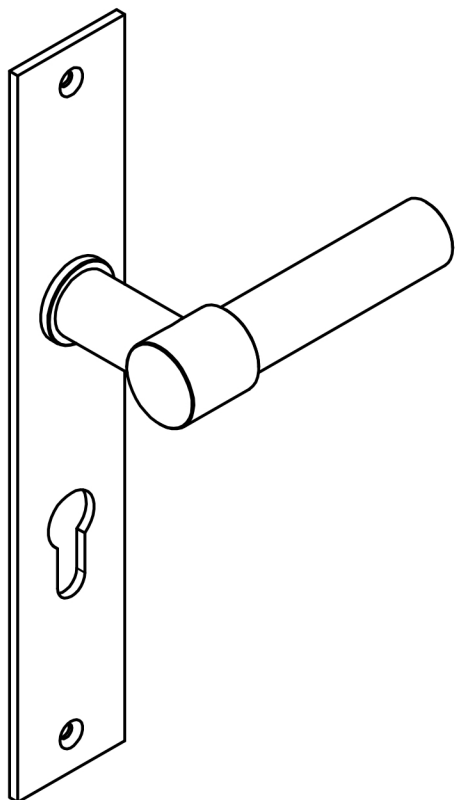
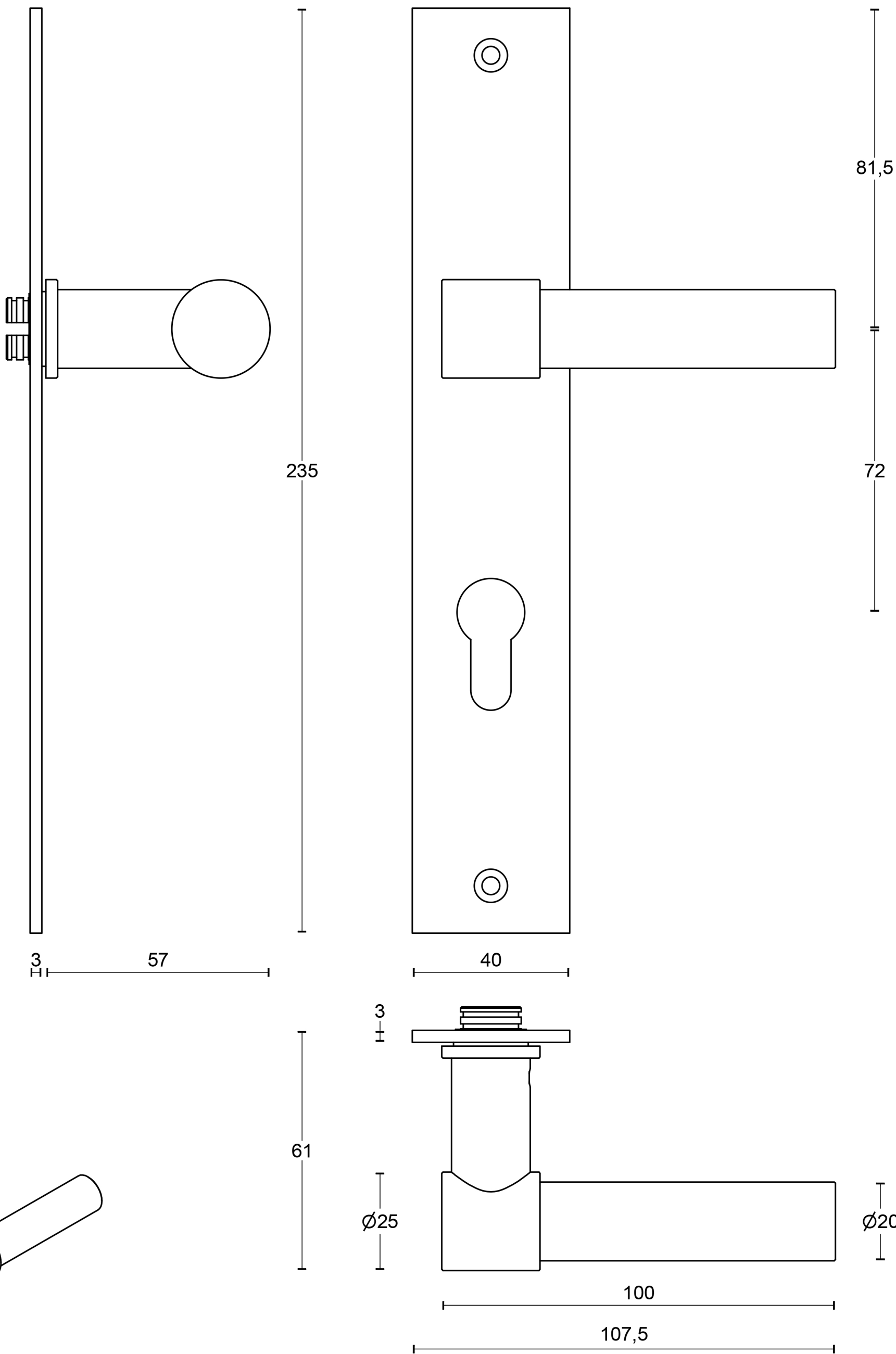


61



FORMANI®		Part number: 2701D004 PBL20P236WC V01	
		Description: <b>PBL20P236WC</b>	
Doc no.: 2701D004 PBL20P236WC V01.dwg	Drawn by: Christian	Creation date: 8-11-2011	Format: <b>A3</b>
Formani Holland B.V.		FROM TWO TEASE ARCHITECTURAL HARDWARE	www.twotease.com.au info@twotease.com.au

All information on the drawing is the property of Formani Holland B.V. and may not be copied, in any way whatsoever without obtaining the permission in writing from Formani Holland B.V.



<h1>FORMANI®</h1>		Part number: 2701D004 PBL20P236Y V01	
		Description: <b>PBL20P236Y</b>	Format: <b>A3</b>
Doc no.: Formani SPEC SALES R.dwg	Drawn by: Christian	Creation date: 8-11-2011	
Formani Holland B.V.		FROM TWO TEASE ARCHITECTURAL HARDWARE	www.twotease.com.au info@twotease.com.au