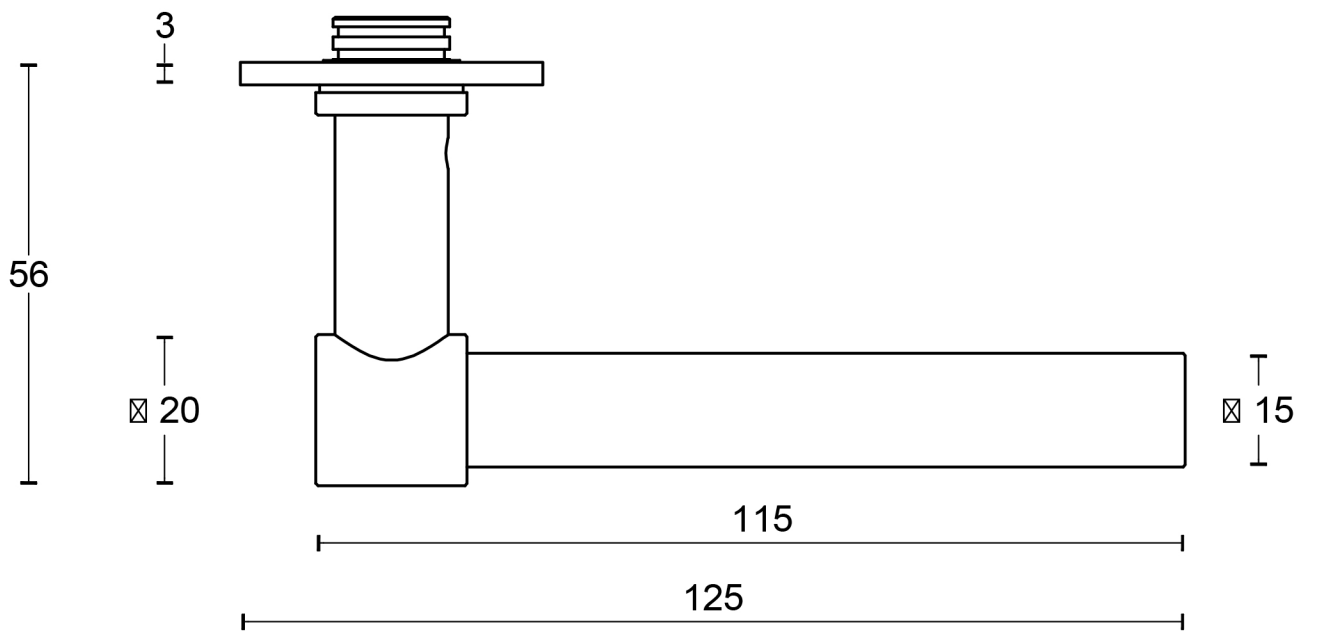
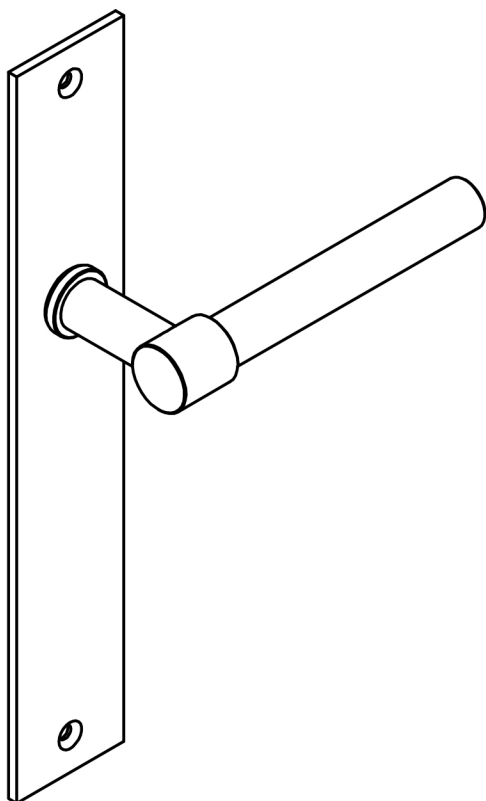
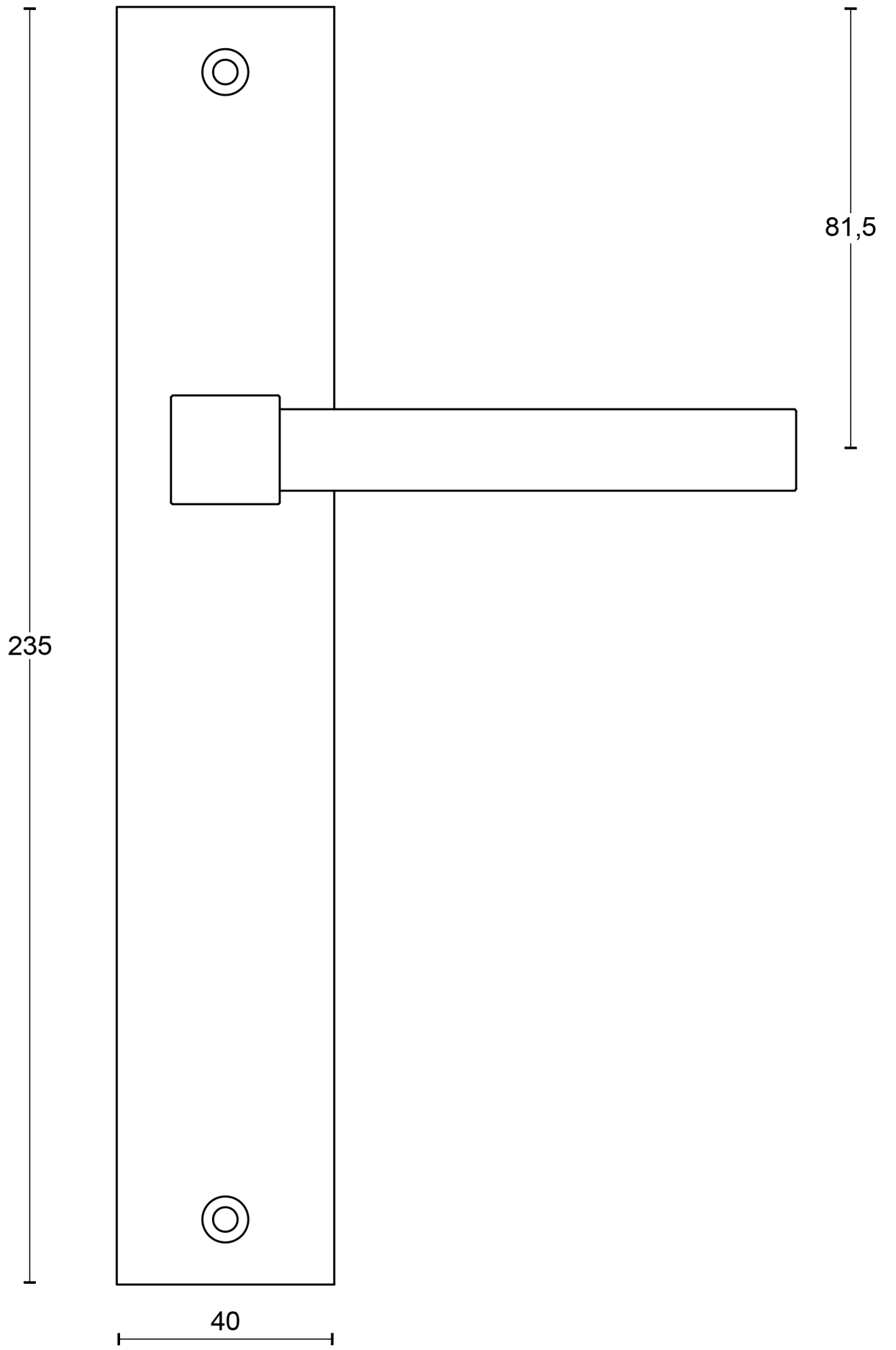
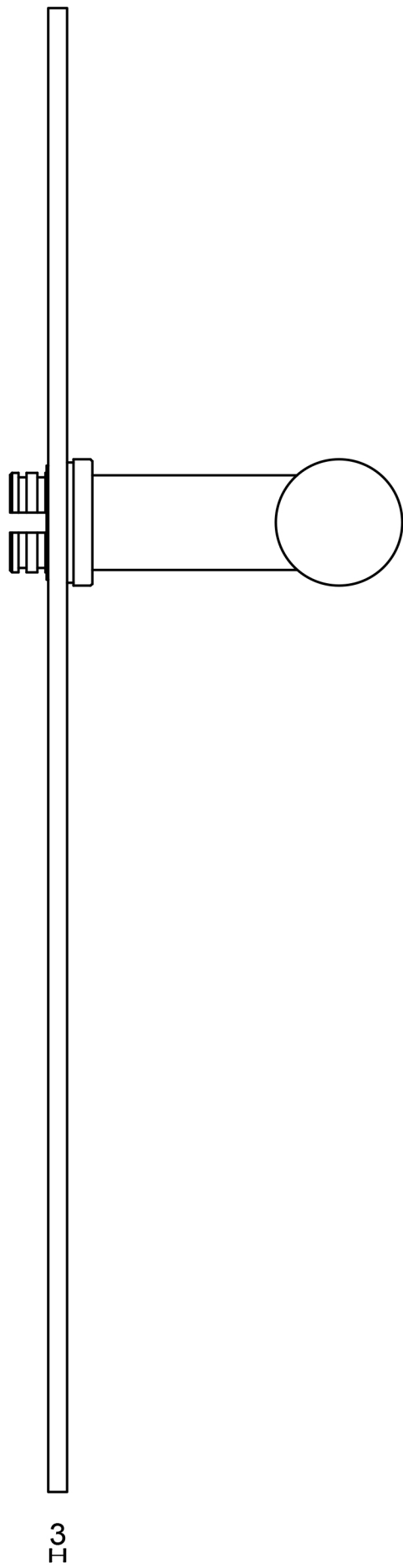
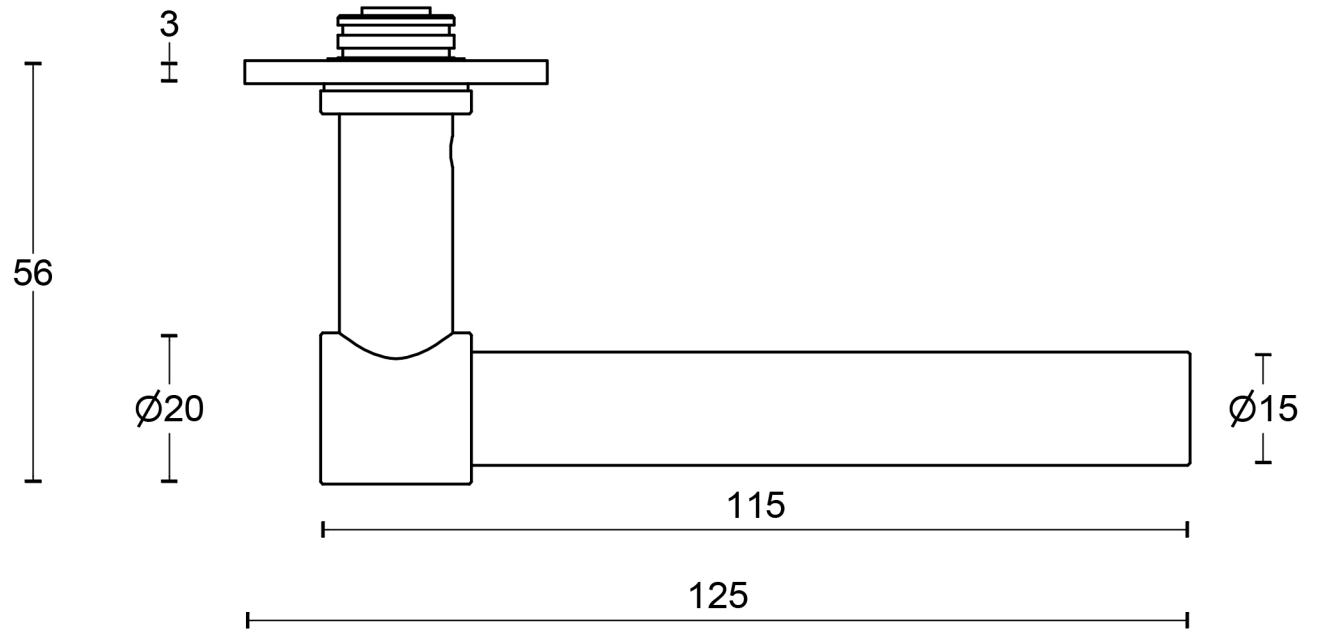
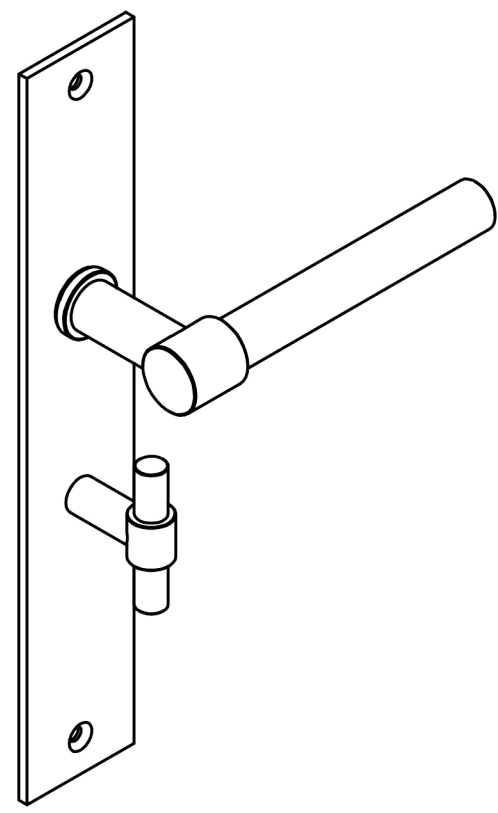
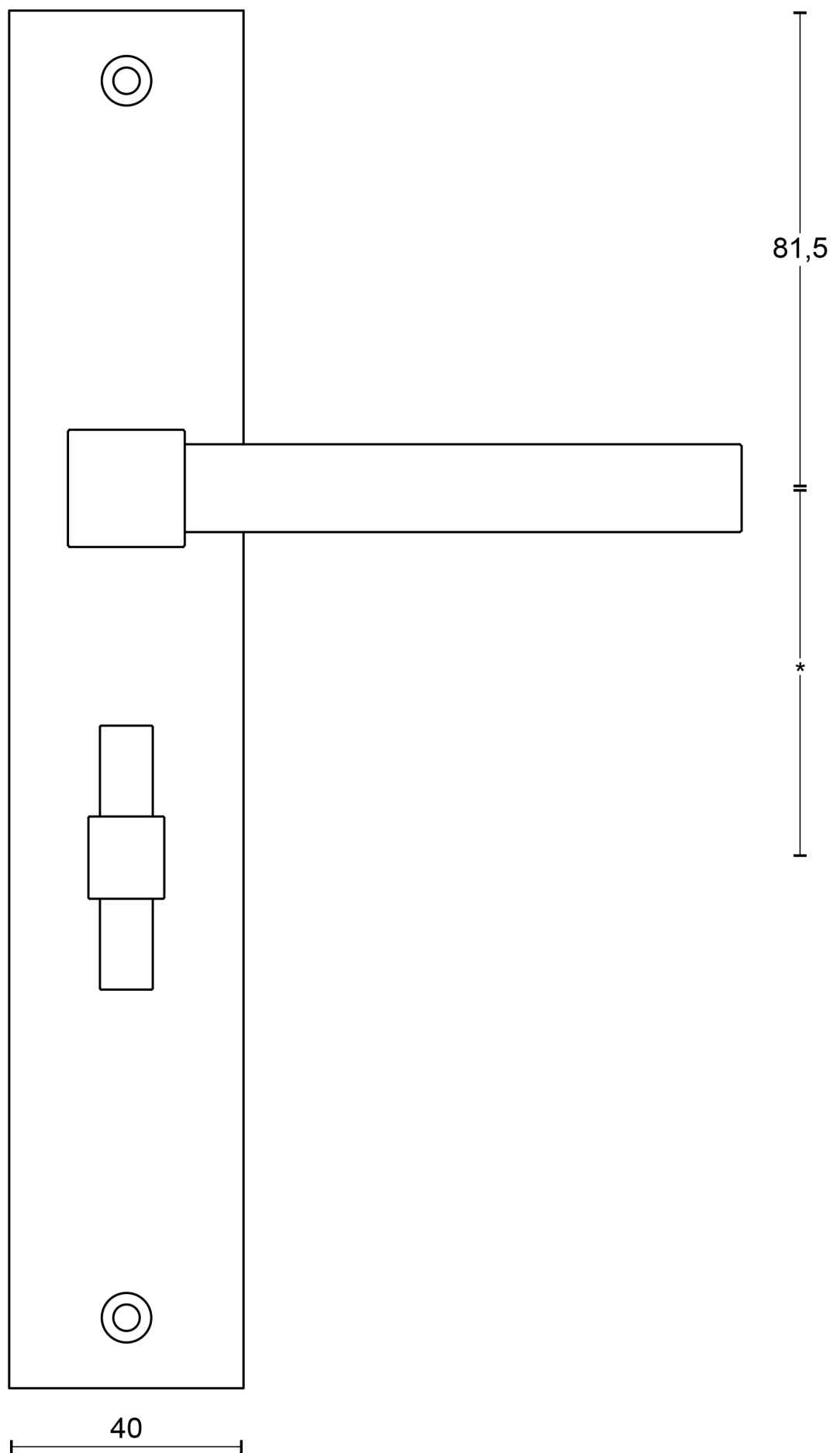
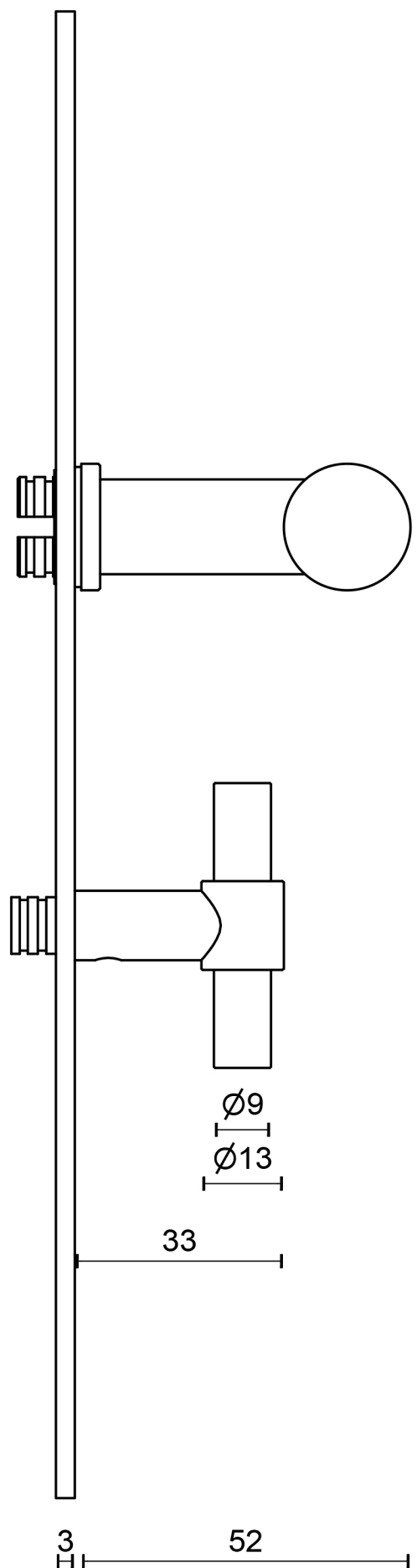


All information on the drawing is the property of Formani Holland B.V. and may not be copied, in any way whatsoever without obtaining the permission in writing from Formani Holland B.V.



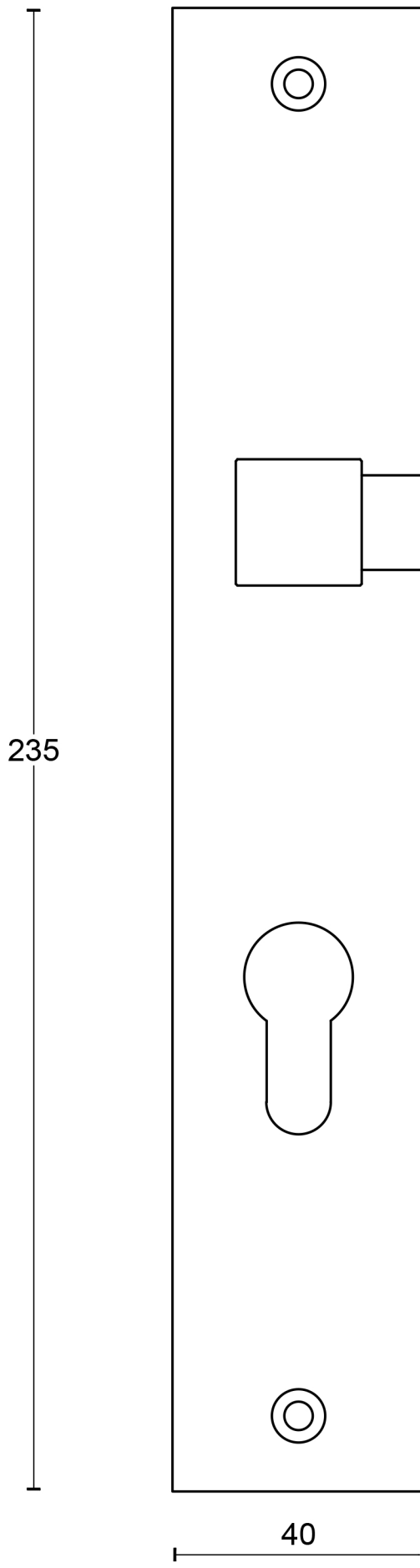
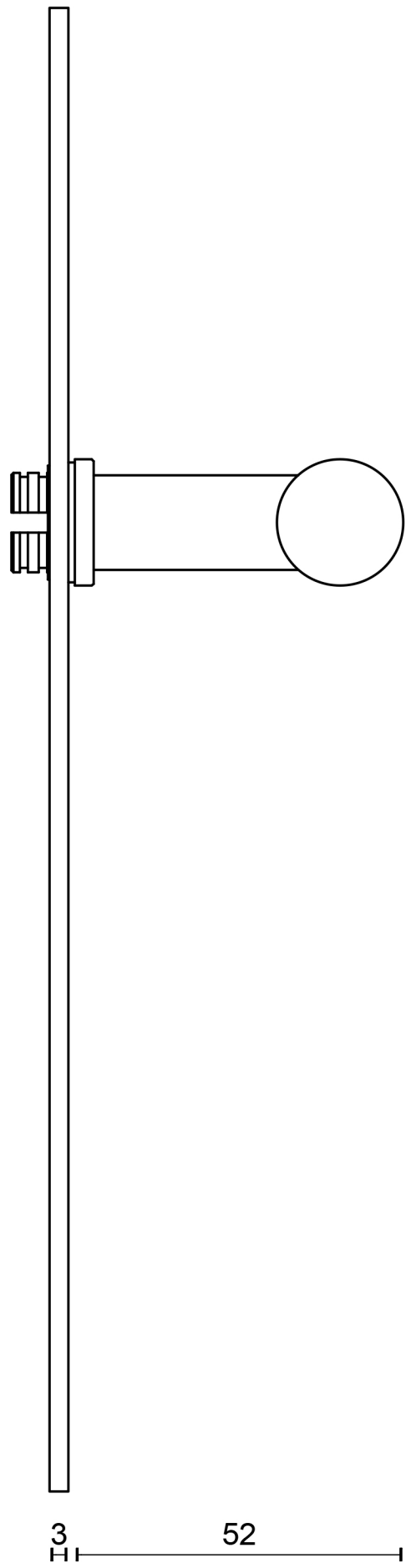
FORMANI®		Part number: 2701D002 PBL15XLP236SFC V01	
Doc no.: 2701D002 PBL15XLP236SFC V01.dwg		PBL15XLP236SFC	Format: A3
Drawn by: Christian	Creation date: 7-11-2011		
Formani Holland B.V. Formani FROM TWO TEASE ARCHITECTURAL HARDWARE www.twotease.com.au info@twotease.com.au			

All information on the drawing is the property of Formani Holland B.V. and may not be copied, in any way whatsoever without obtaining the permission in writing from Formani Holland B.V.



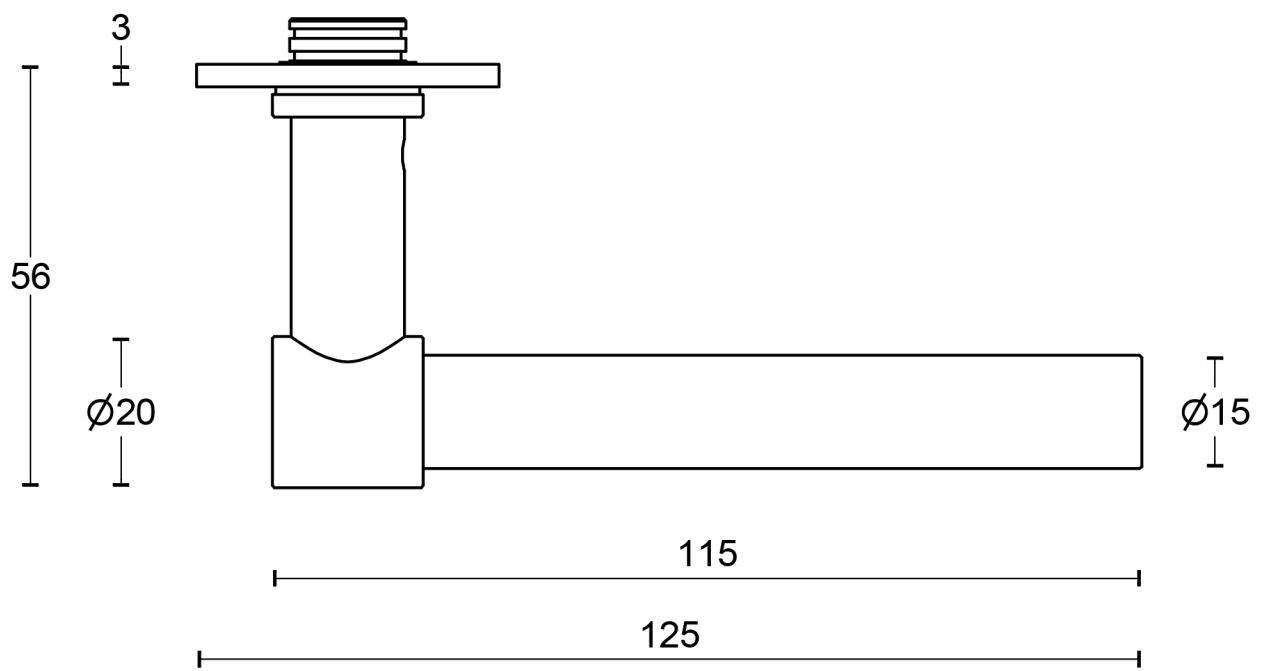
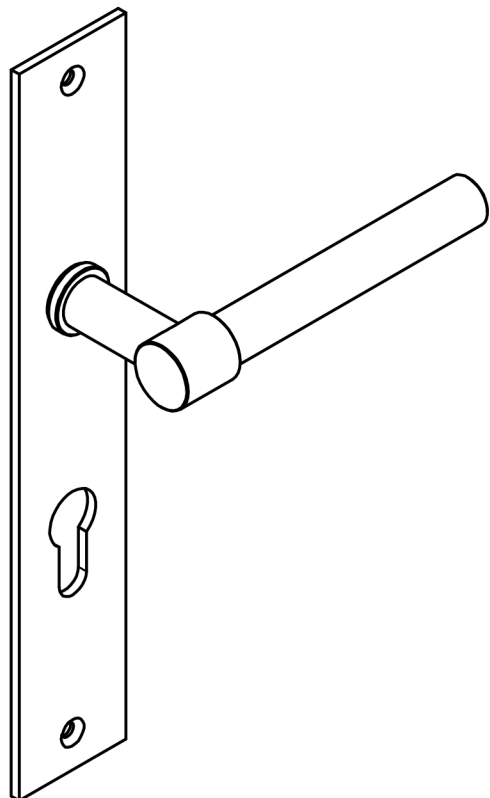
<h2>FORMANI®</h2>		Part number: 2701D002 PBL15XLP236WC V01	
		Description: <b>PBL15XLP236WC</b>	
Doc no.:	2701D002 PBL15XLP236WC V01.dwg	Format:	<b>A3</b>
Drawn by:	Christian	Creation date:	7-11-2011
Formani Holland B.V. ' FROM TWO TEASE ARCHITECTURAL HARDWARE		www.twotease.com.au info@twotease.com.au	

All information on the drawing is the property of Formani Holland B.V. and may not be copied, in any way whatsoever without obtaining the permission in writing from Formani Holland B.V.



81,5

\*



<h1>FORMANI®</h1>		Part number: 2701D002 PBL15XLP236Y V01	
		Description: <b>PBL15XLP236Y</b>	
Doc no.: 2701D002 PBL15XLP236Y V01.dwg		Format: <b>A3</b>	
Drawn by: Christian	Creation date: 7-11-2011		
Formani Holland B.V. · FROM TWO TEASE ARCHITECTURAL HARDWARE		www.twotease.com.au info@twotease.com.au	