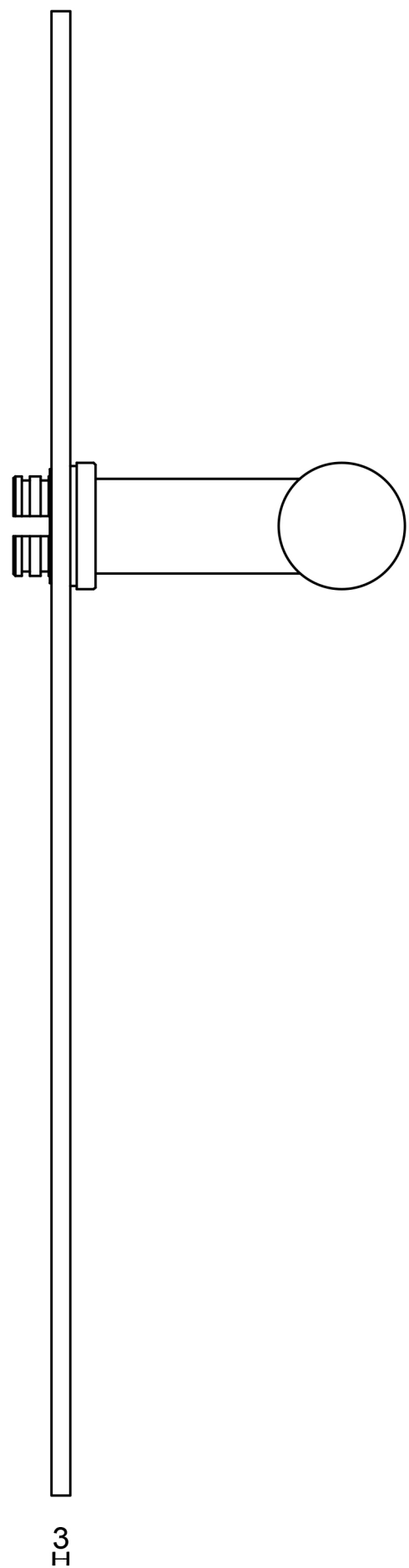
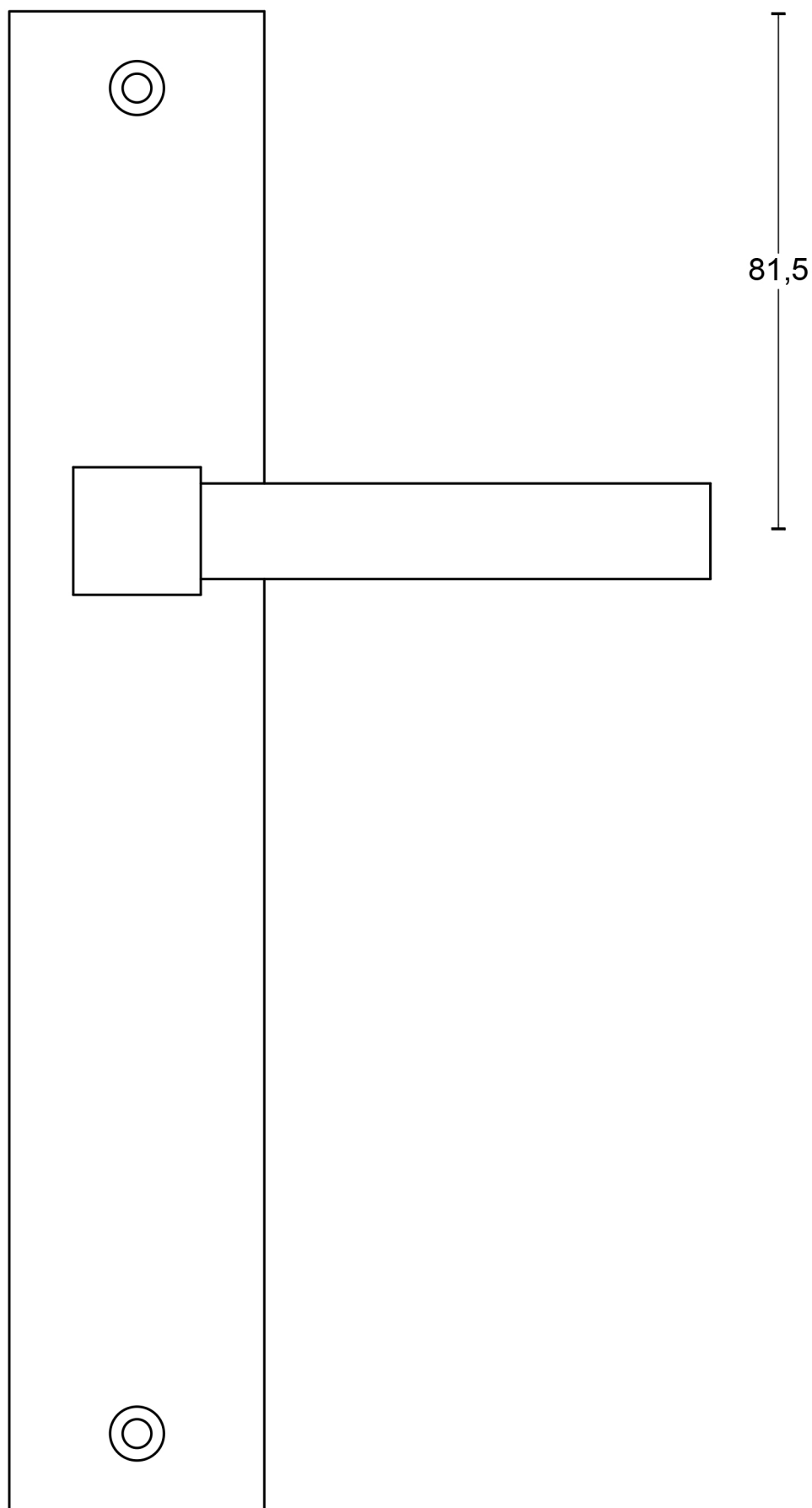


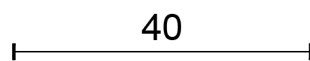
All information on the drawing is the property of Formani Holland B.V. and may not be copied, in any way whatsoever without obtaining the permission in writing from Formani Holland B.V.



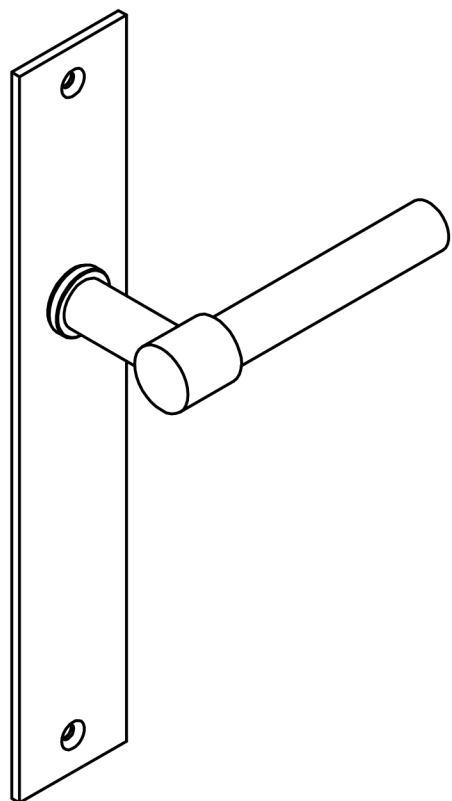
235



81,5



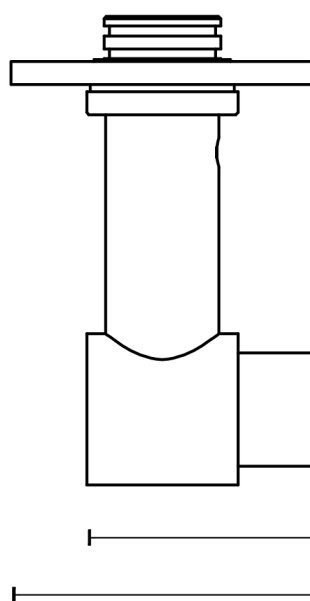
40



3



20



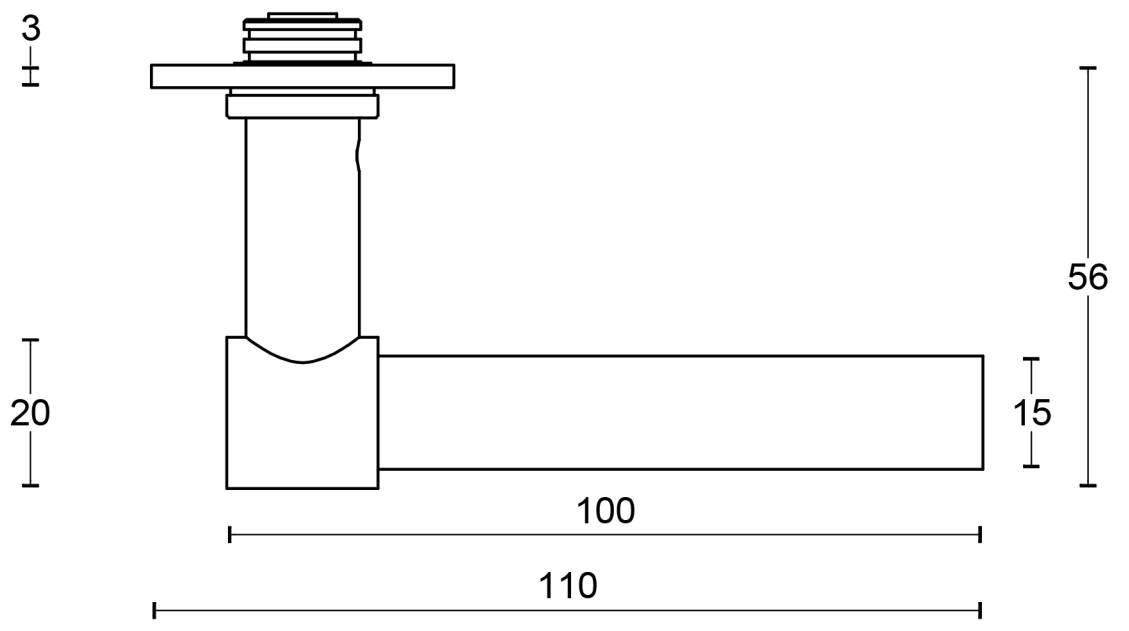
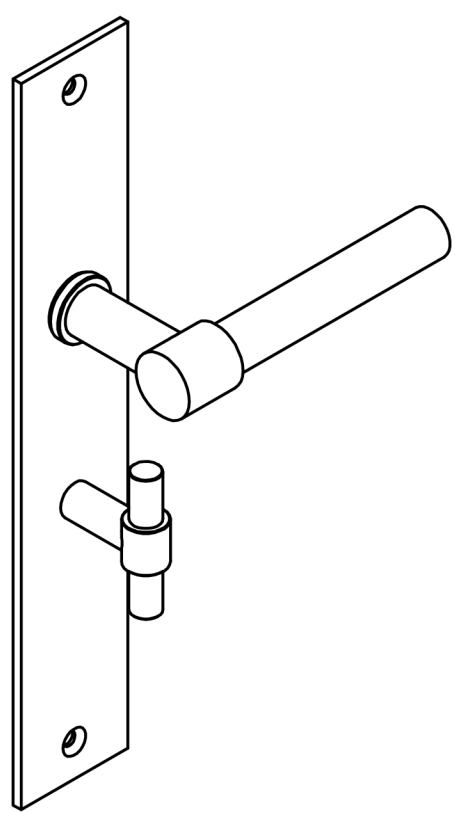
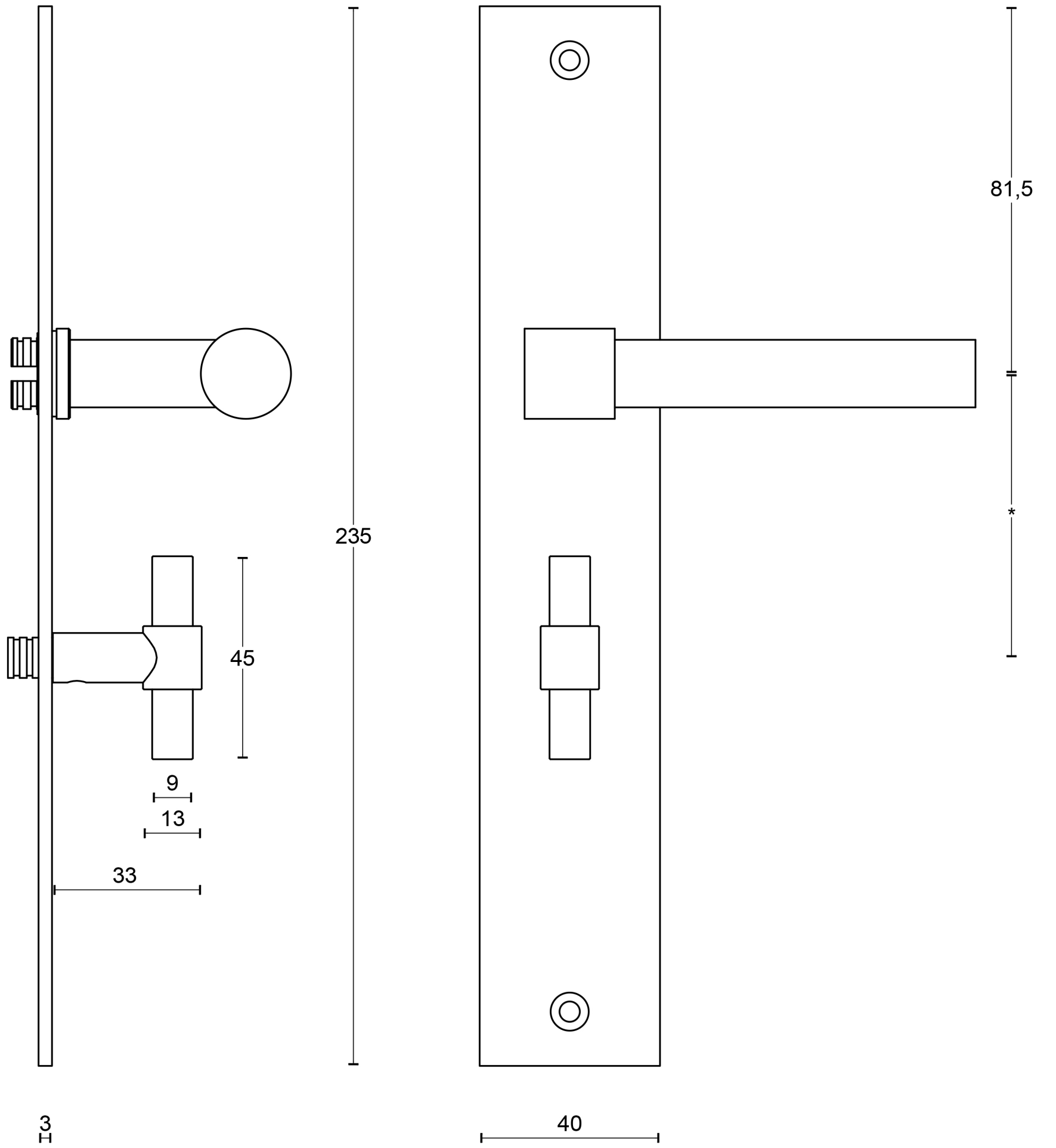
56

100

110

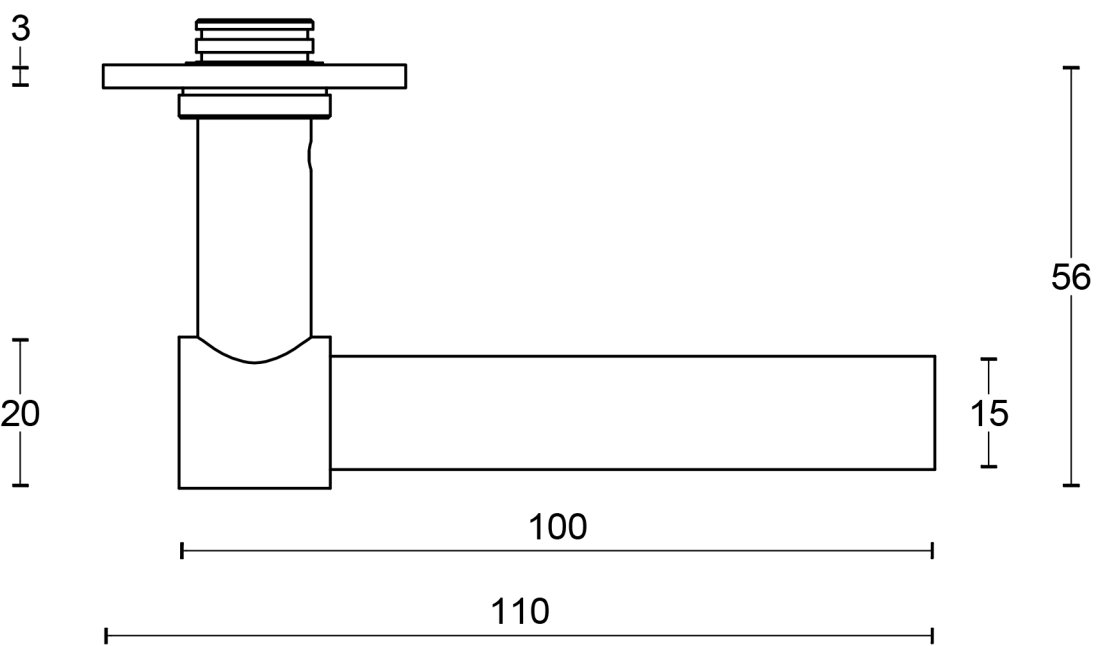
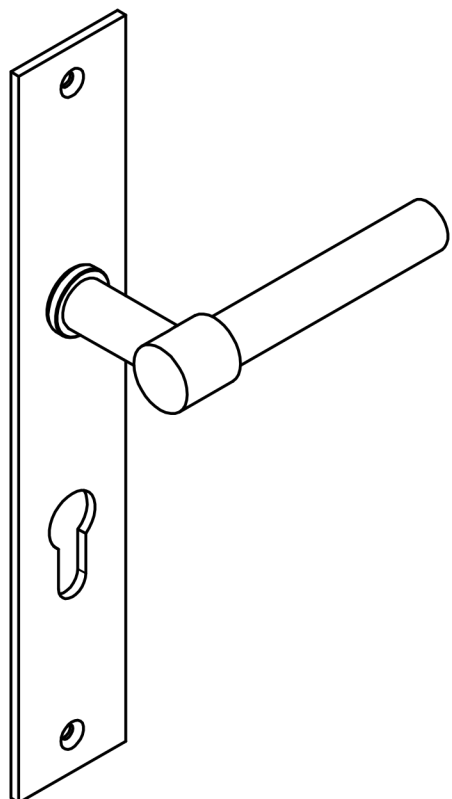
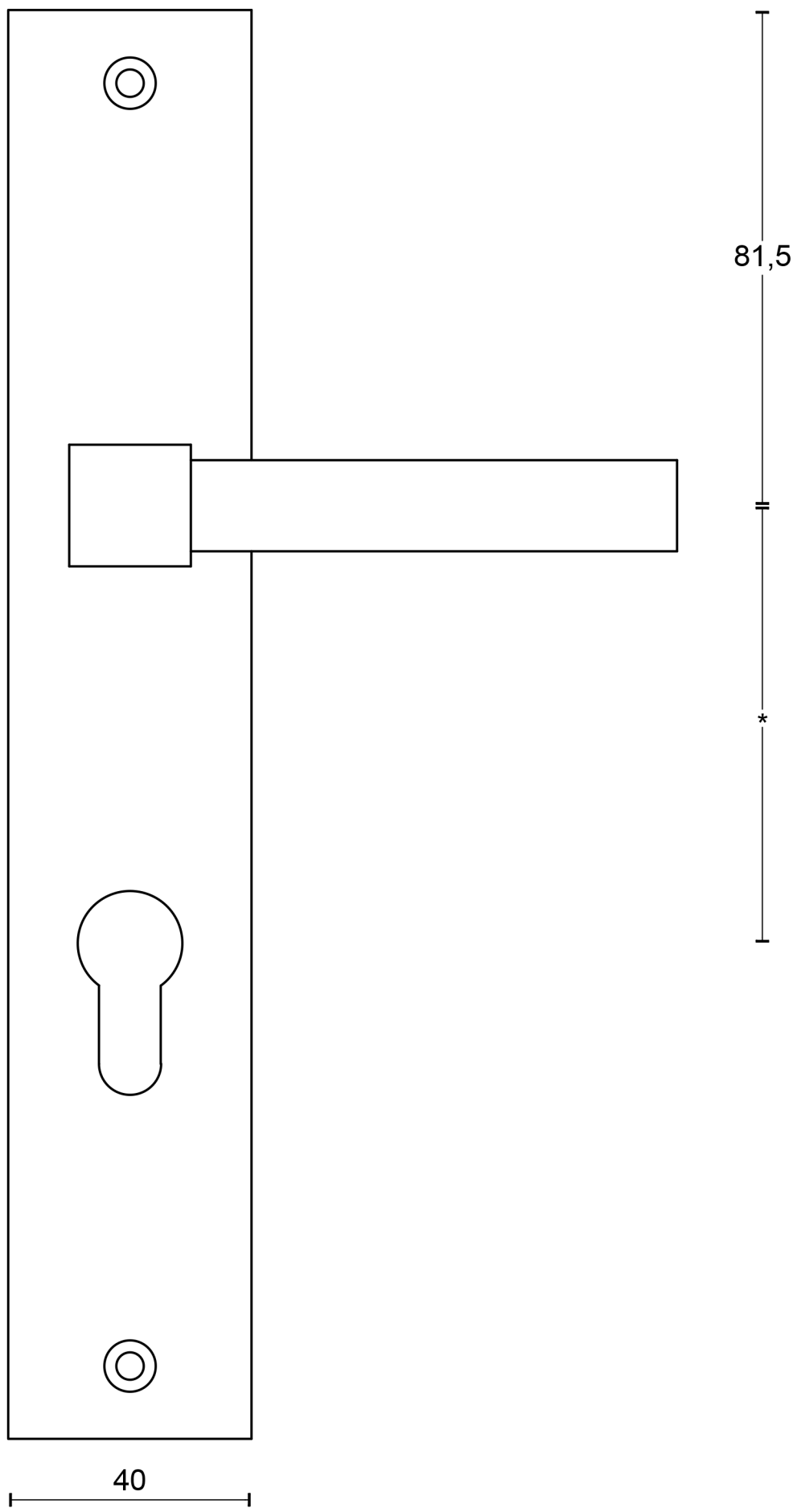
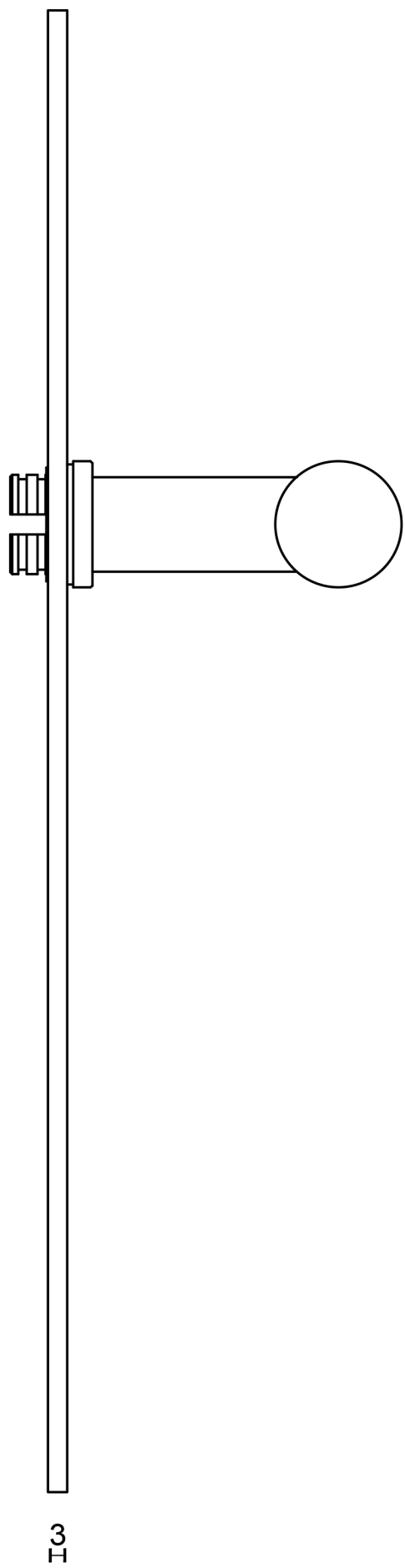
FORMANI		Part number:	
Doc no.: 2701D002 PBL15P236SFC V02.dwg	Drawn by: Christian Brimbois	Description: PBL15P236SFC	Format: A3
	Creation date: 25-3-2013		
Formani Holland B.V. Formani FROM TWO TEASE ARCHITECTURAL HARDWARE www.twotease.com.au info@twotease.com.au			

All information on the drawing is the property of Formani Holland B.V. and may not be copied, in any way whatsoever without obtaining the permission in writing from Formani Holland B.V.



FORMANI		Part number:	
		Description:	
Doc no.:	2701D002 PBL15P236WC V02.dwg	PBL15P236WC	Format:
Drawn by:	Christian Brimbois		Creation date:
Formani Holland B.V.		FROM TWO TEASE ARCHITECTURAL HARDWARE	www.twotease.com.au info@twotease.com.au

All information on the drawing is the property of Formani Holland B.V. and may not be copied, in any way whatsoever without obtaining the permission in writing from Formani Holland B.V.



<h1>FORMANI</h1>		Part number:	
		<h2>PBL15P236Y</h2>	
Doc no.: 2701D002 PBL15P236Y V02.dwg	Description:		
Drawn by: Christian Brimbois	Creation date: 25-3-2013	<h2>A3</h2>	
Formani Holland B.V.		FROM TWO TEASE ARCHITECTURAL HARDWARE	
		www.twotease.com.au info@twotease.com.au	