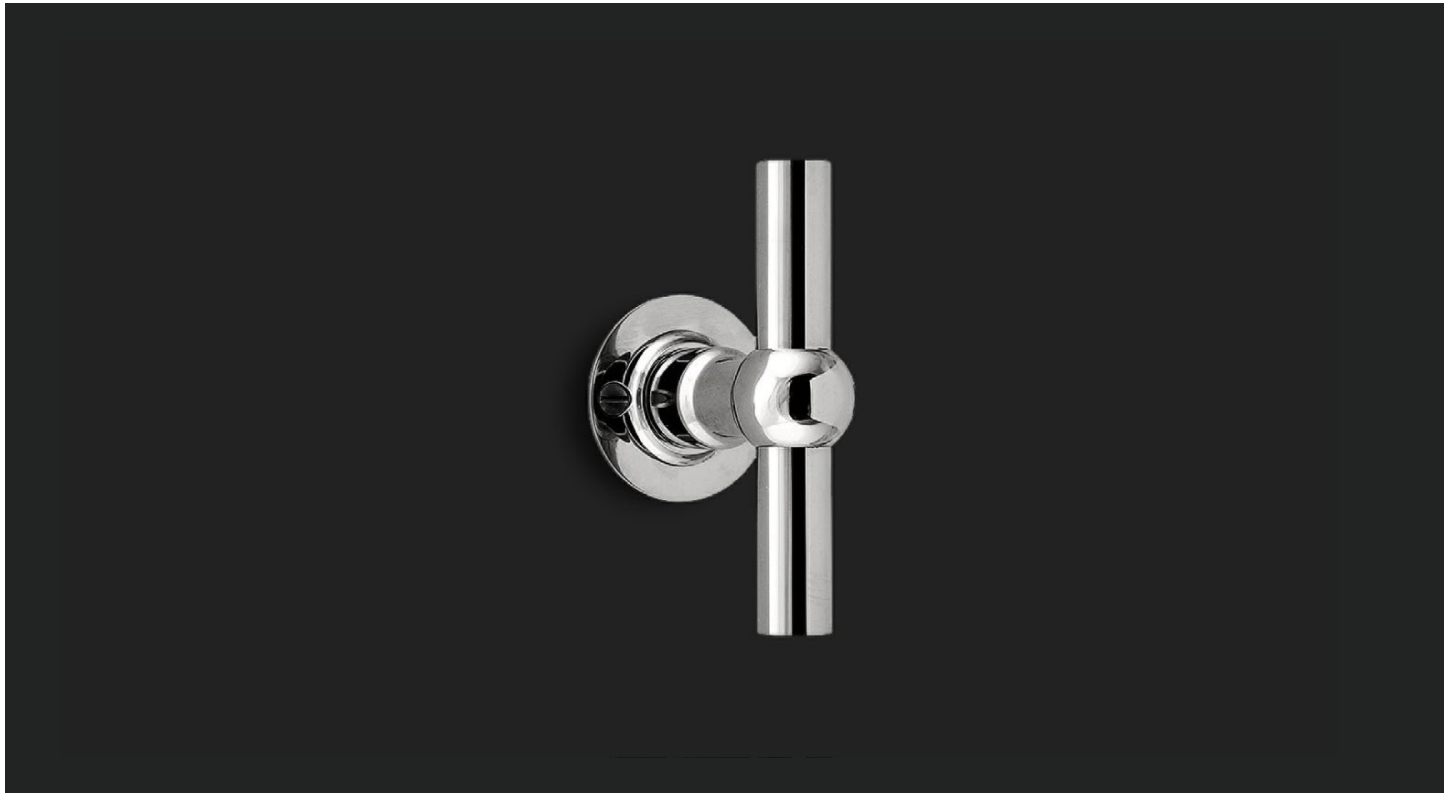


# FERROVIA LEVER ( T )

## FORMANI



Shown Above: Satin Stainless Steel (IN)

	Lever Handle	Code
<b>FVT100/48</b>	Ø 24mm lever, 100mm fixed on a 48mm rose	1501D080IPXX0
<b>FVT110/52</b>	Ø 16mm lever, 110mm long unsprung on a 52mm rose	1501D083IPXX0
<b>FVT125/52</b>	Ø 18mm lever, 110mm long unsprung on a 52mm rose	1501D088IPXX0

	Privacy	
<b>FVWC48</b>	Round turn and release privacy set including 5/6/7/8mm pin.	1501T032IPXXU

	Escutcheons	
<b>FVBY48</b>	Round Key Escutcheons	1501Y030IPXX0

>>More finishes available on the next page.

**FVT100/48**

**Satin Stainless Steel | IN**

**FVT100/48**



1501D080INXX0

**FVWC48**



1501T032INXXU

**FVBY48**



1501Y030INXX0

**Polished Stainless Steel | IP**



1501D080IPXX0

**IMAGE UNAVAILABLE**

1501T032IPXXU

**IMAGE UNAVAILABLE**

1501Y030IPXX0

**FVT110/52**

**Satin Stainless Steel | IN**

1501D082INXX0



**Polished Stainless Steel | IP**

1501D082IPXX0



**FVT125/52**

**Satin Stainless Steel | IN**

1501D088INXX0



**Polished Stainless Steel | IP**

1501D088IPXX0



HOLLOW HANDLE

According to EN 1906: 2012

4	7	-	B	0	4	0	B
---	---	---	---	---	---	---	---

Code can be broken down into the following grade/ digits:

**1. CATEGORY OF USE [4]**

High frequency on doors with are subject to frequent violent use: E.g. football stadiums, public toilets, etc.

**2. DURABILITY [7]**

200,000 cycles

**3. TEST DOOR MASS [-]**

No Classification

**4. FIRE RESISTANCE [B]**

Suitable for use on fire/smoke door assemblies (Tested with 200,000 test cycles)

**5. SAFETY [0]**

Normal use

**6. CORROSION RESISTANCE [4]**

Very High Resistance – 240 hours of salt spray test

**7. SECURITY [0]**

Not suitable for burglary resistant doors

**8. TYPE OF OPERATION [B]**

Spring Loaded levers

[View more info on FORMANI classifications](#)

Two Tease offers a range of lock options for handles. Click on the boxes to see more information.

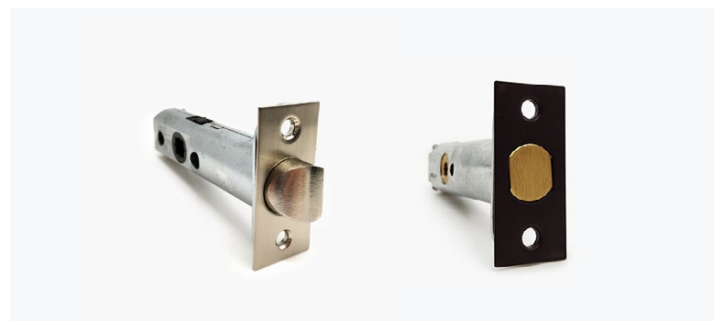
LOCK/LATCH OPTIONS

AGB LOCKS



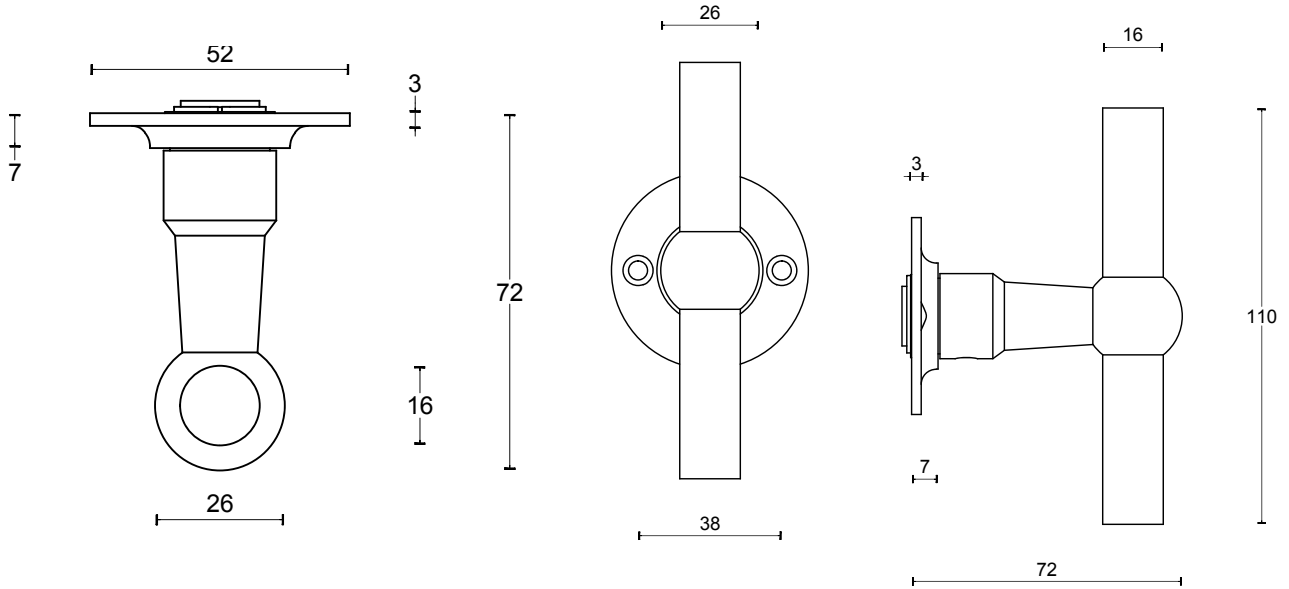
[Click Here](#)

TUBULAR LATCH & PRIVACY BOLTS

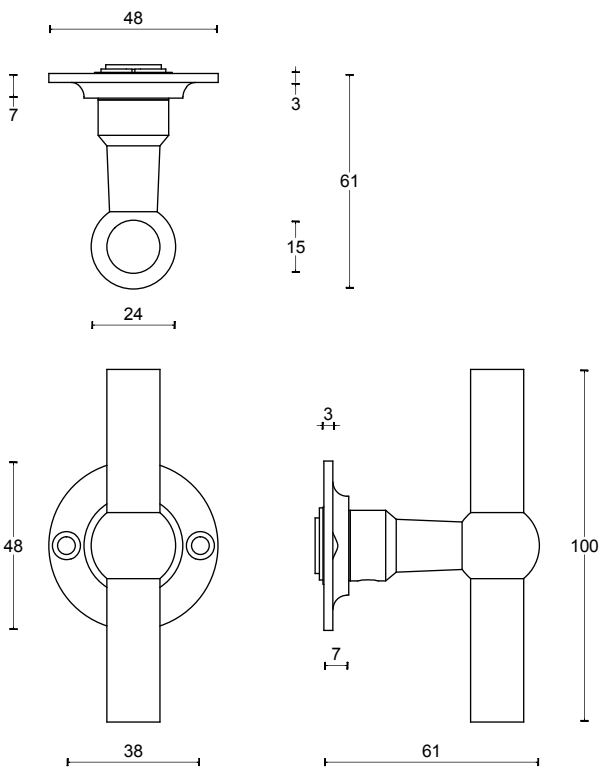


[Click Here](#)

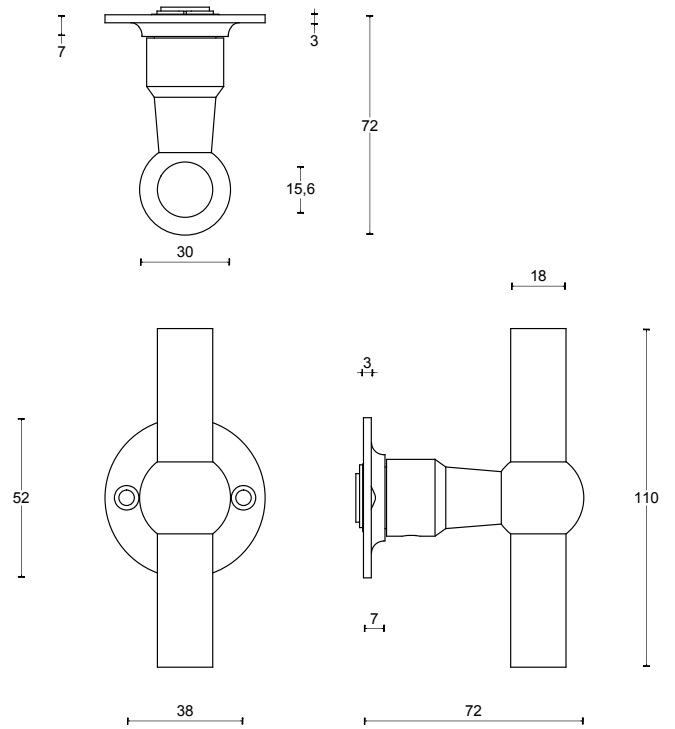
**FVT110/52**

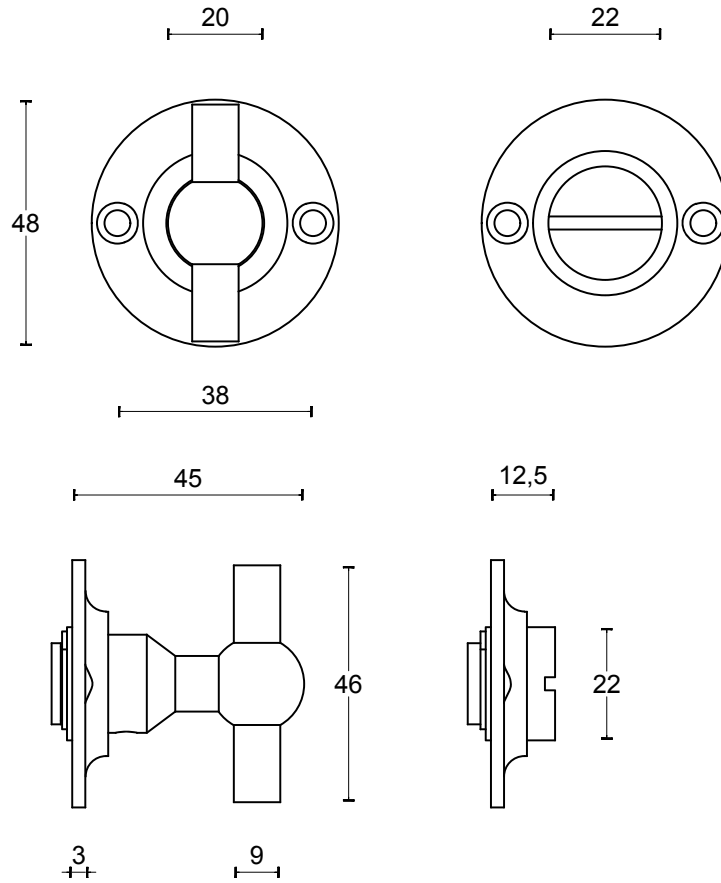


**FVT100/48**



**FVL125/52**





FVBY48

