

FERROVIA LEVER (L)

FORMANI



Shown Above: Polished Stainless Steel

	Lever Handle	Code
FVL100/48	Ø 15mm lever, 107mm long unsprung on a round rose	1501D081IPXX0
FVL110/52	Ø 16mm lever, 116mm long unsprung on a square rose	1501D083IPXX0
FVL125/52	Ø 18mm lever, 118mm long unsprung on a square rose	1501D089IPXX0

	Privacy	
FVWC48	Round turn and release privacy set including 5/6/7/8mm pin.	1501T032IPXXU

	Escutcheons	
FVBY48	Round Key Escutcheons	1501Y030IPXX0

>>More finishes available on the next page.

FVL100/48

FVL100/48

FVWC48

FVBY48

Satin Stainless Steel | IN



1501D081INXX0



1501T032INXXU



1501Y030INXX0

Polished Stainless Steel | IP



1501D081IPXX0

IMAGE UNAVAILABLE

1501T032IPXXU

IMAGE UNAVAILABLE

1501Y030IPXX0

FVL110/52

Satin Stainless Steel | IN

1501D083INXX0



Polished Stainless Steel | IP

1501D083IPXX0



FVL125/52

Satin Stainless Steel | IN

1501D089INXX0



Polished Stainless Steel | IP

1501D089IPXX0



SOLID HANDLE

According to EN 1906: 2012

4	7	-	B	0	4	0	B
---	---	---	---	---	---	---	---

Code can be broken down into the following grade/ digits:

1. CATEGORY OF USE [4]

High frequency on doors with are subject to frequent violent use: E.g. football stadiums, public toilets, etc.

2. DURABILITY [7]

200,000 cycles

3. TEST DOOR MASS [-]

No Classification

4. FIRE RESISTANCE [B]

Suitable for use on fire/smoke door assemblies
(Tested with 200,000 test cycles)

5. SAFETY [0]

Normal use

6. CORROSION RESISTANCE [4]

Very High Resistance – 240 hours of salt spray test

7. SECURITY [0]

Not suitable for burglary resistant doors

8. TYPE OF OPERATION [B]

Spring Loaded levers

[View more info on FORMANI classifications](#)

Two Tease offers a range of lock options for handles.
Click on the boxes to see more information.

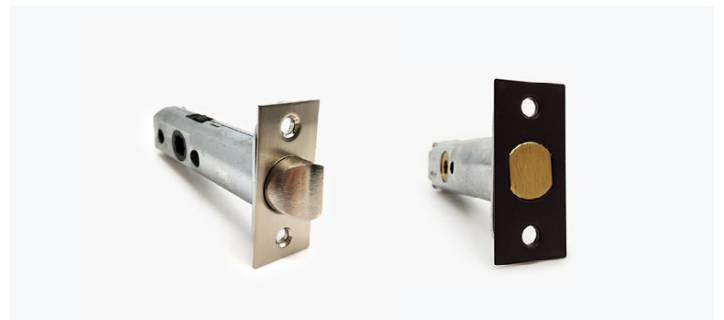
LOCK/LATCH OPTIONS

AGB LOCKS



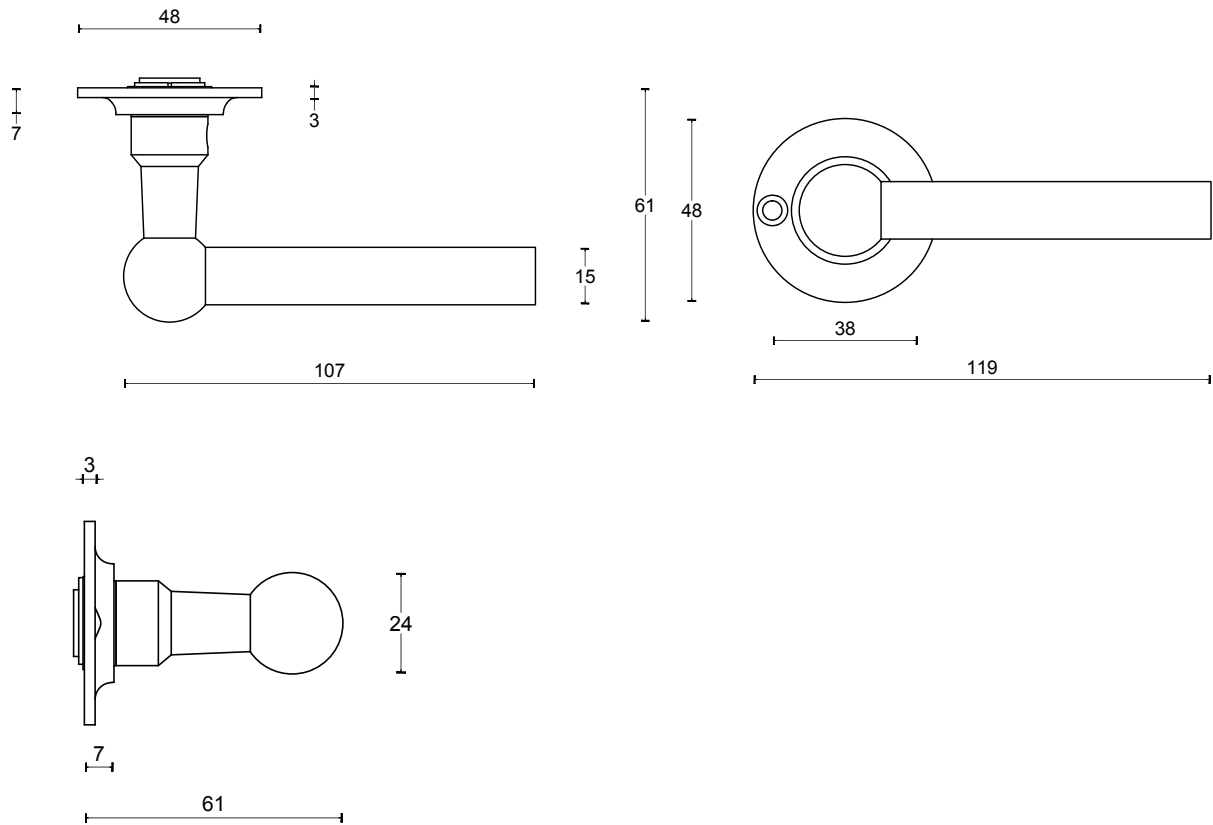
[Click Here](#)

TUBULAR LATCH & PRIVACY BOLTS

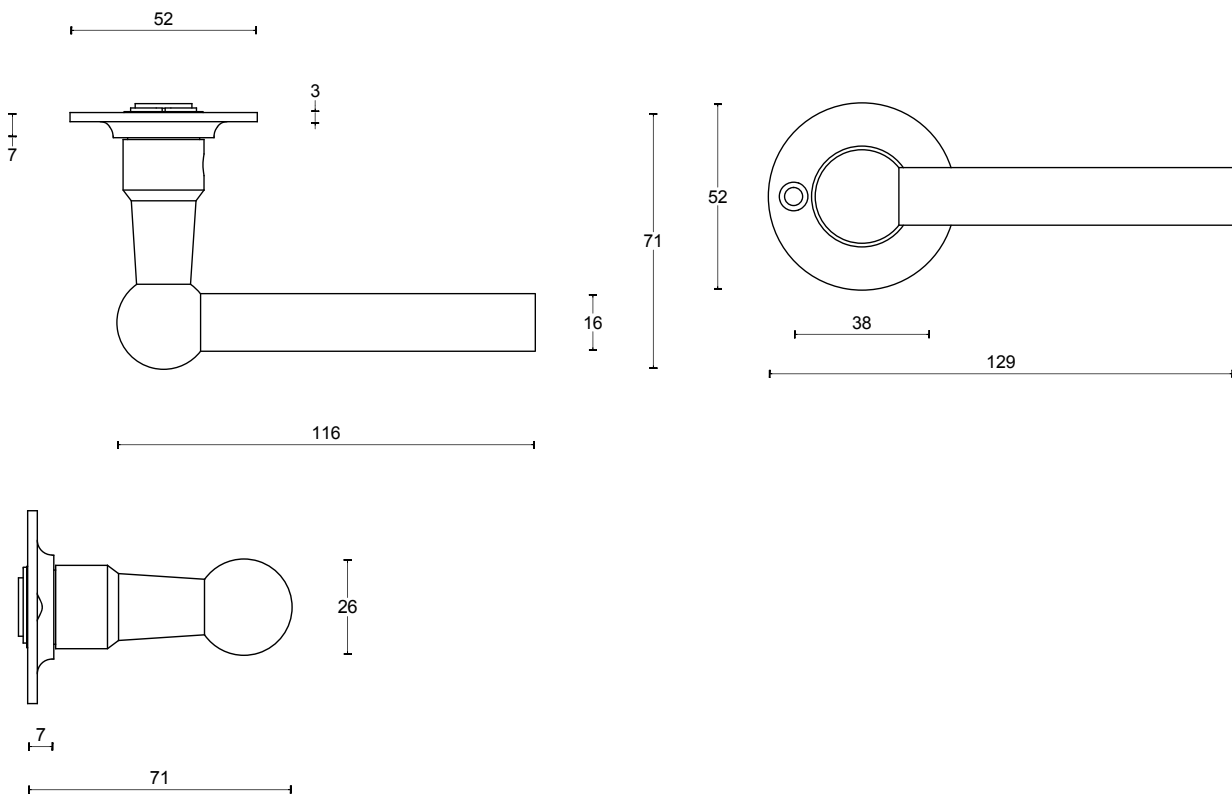


[Click Here](#)

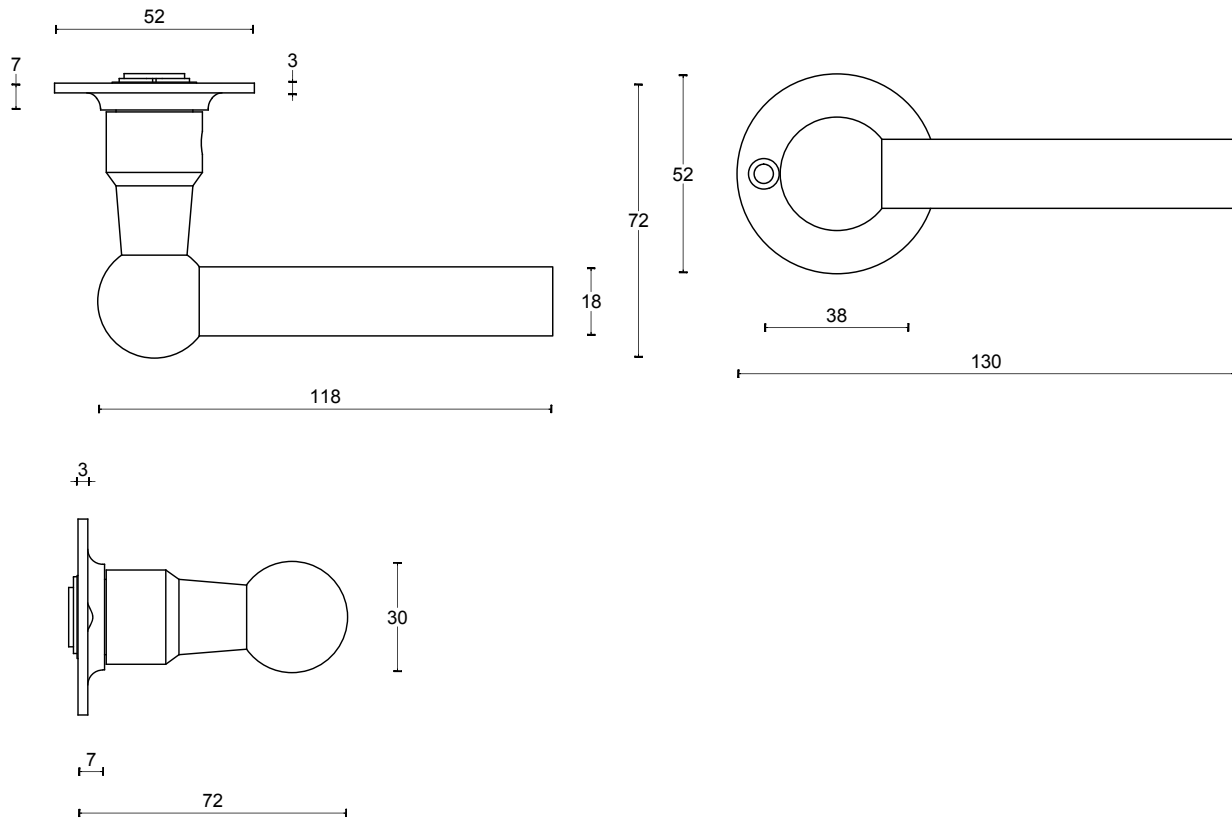
FVL100/48



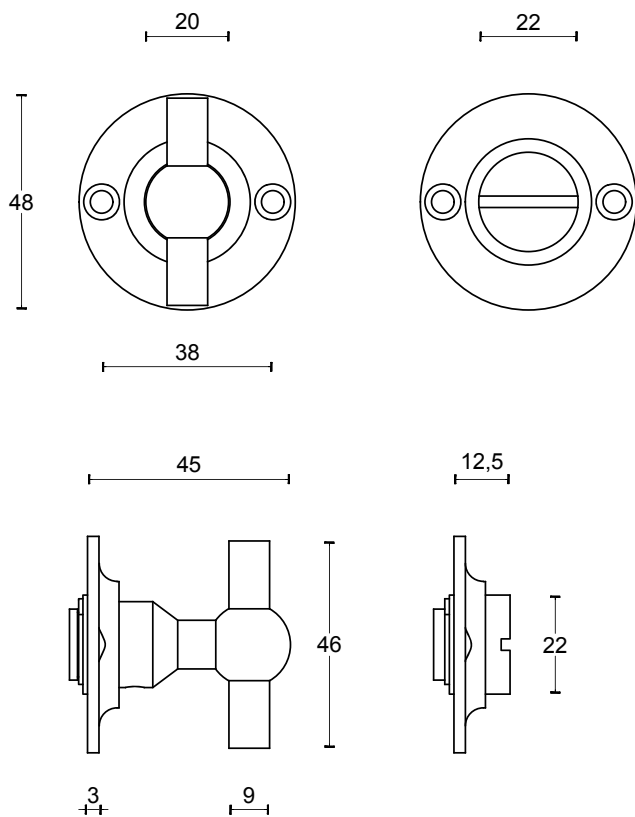
FVL110/52



FVL125/52



FVWC48



FVBY48

