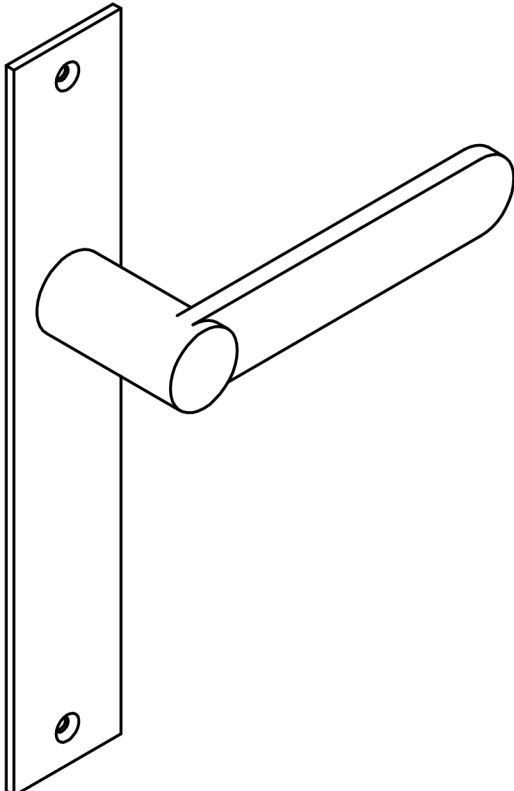
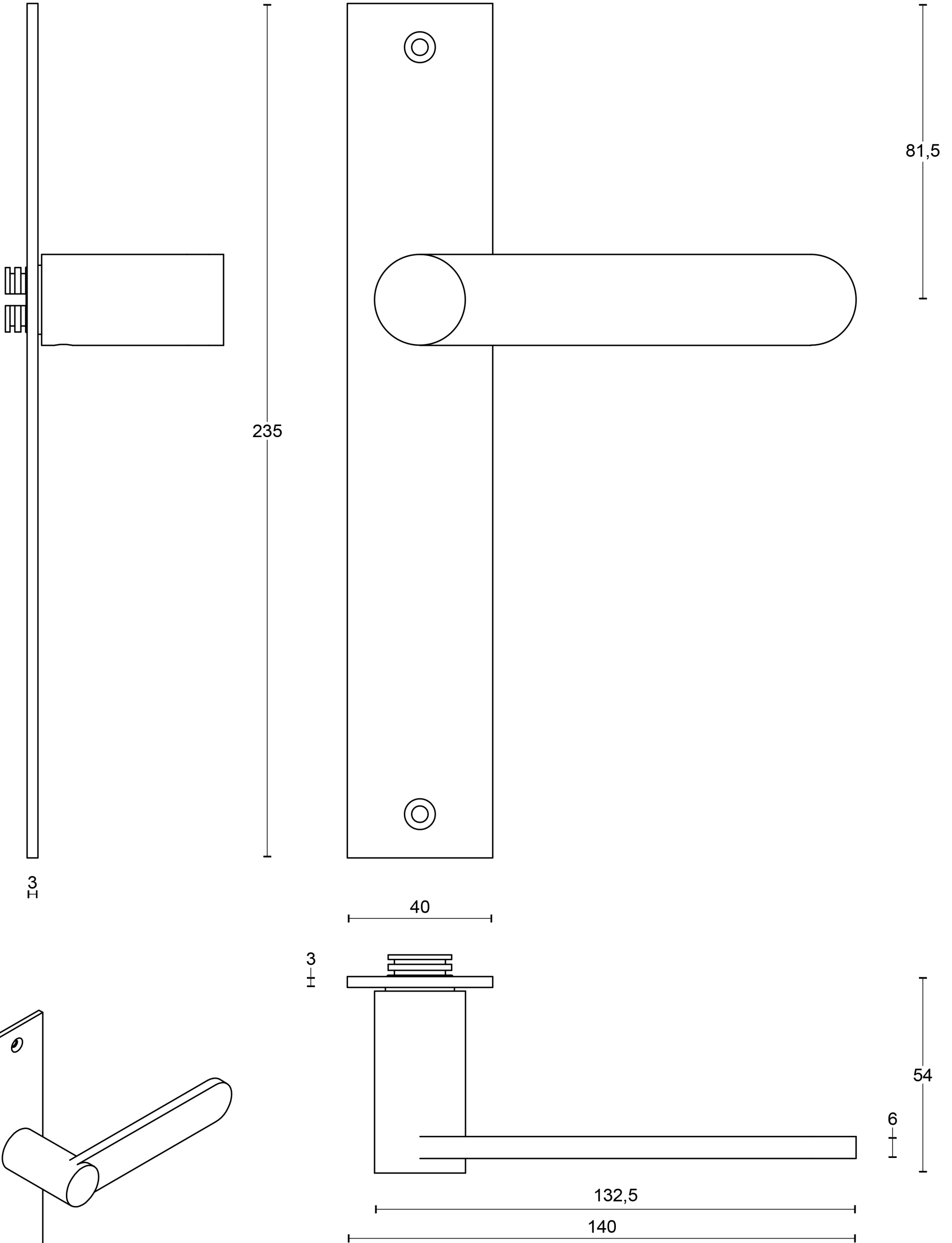
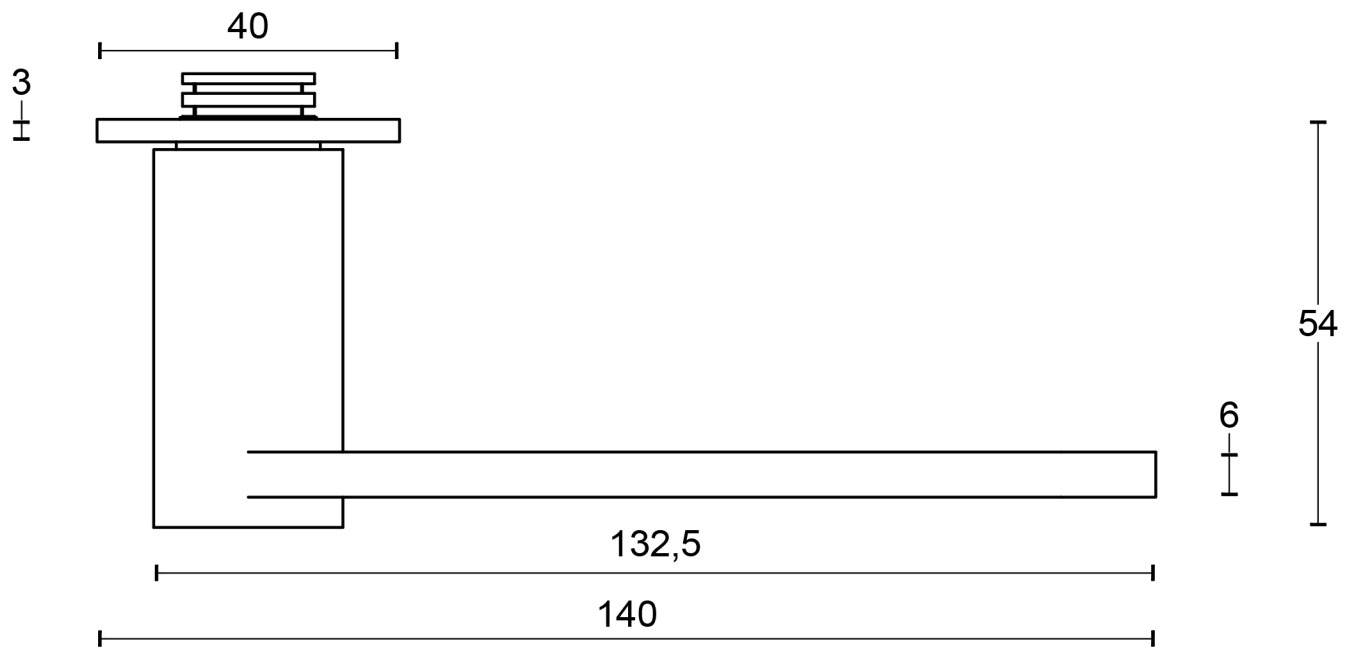
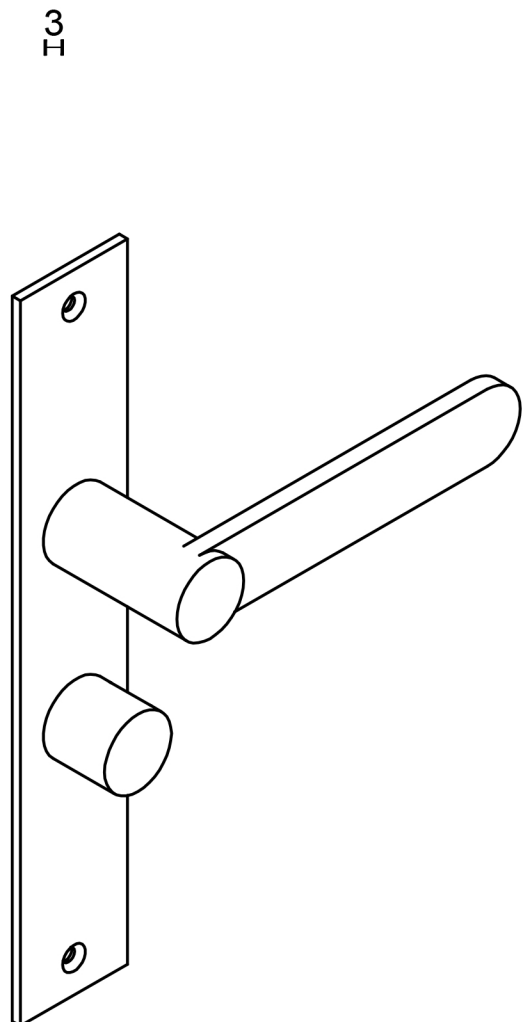
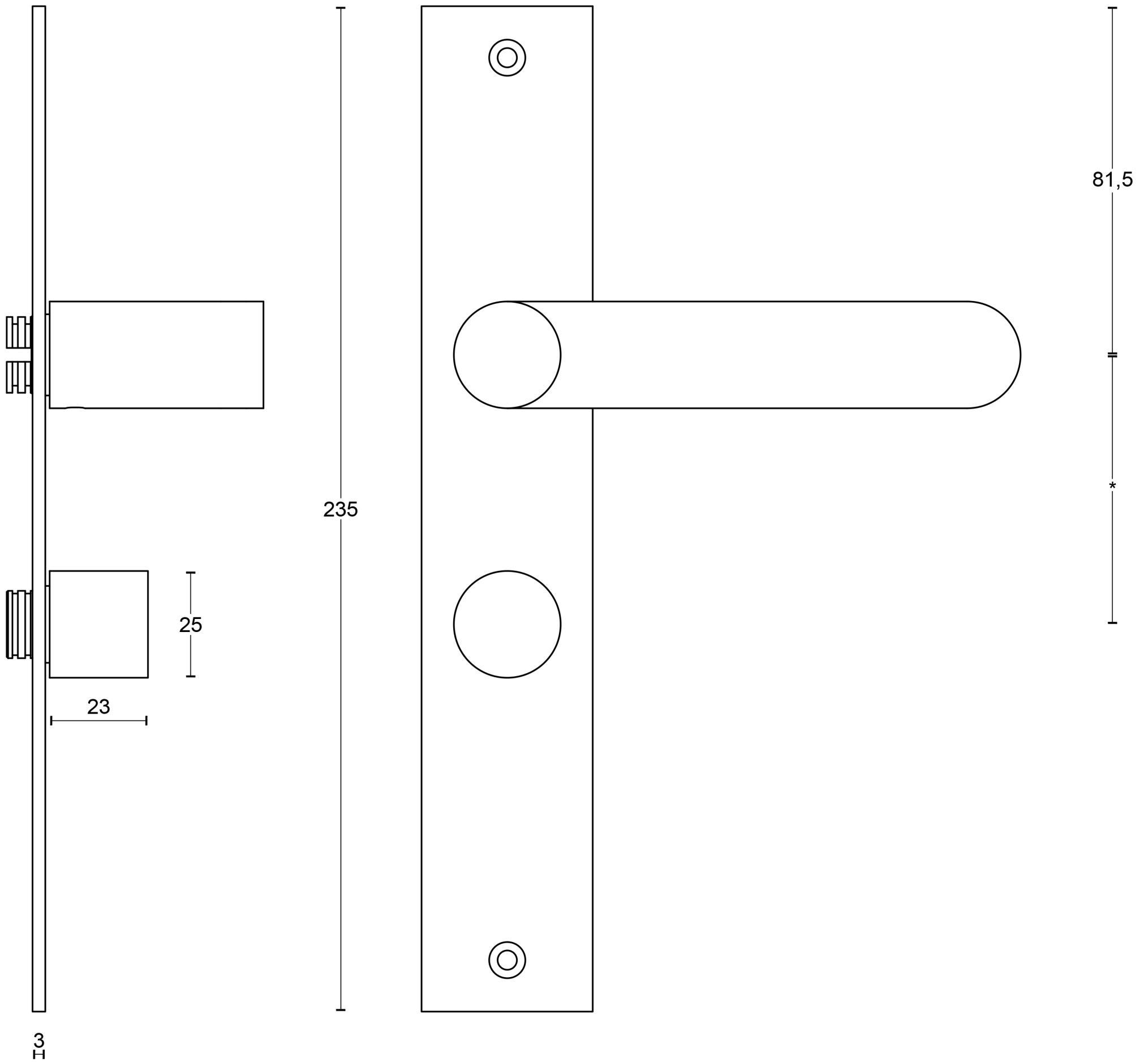


All information on the drawing is the property of Formani Holland B.V. and may not be copied, in any way whatsoever without obtaining the permission in writing from Formani Holland B.V.



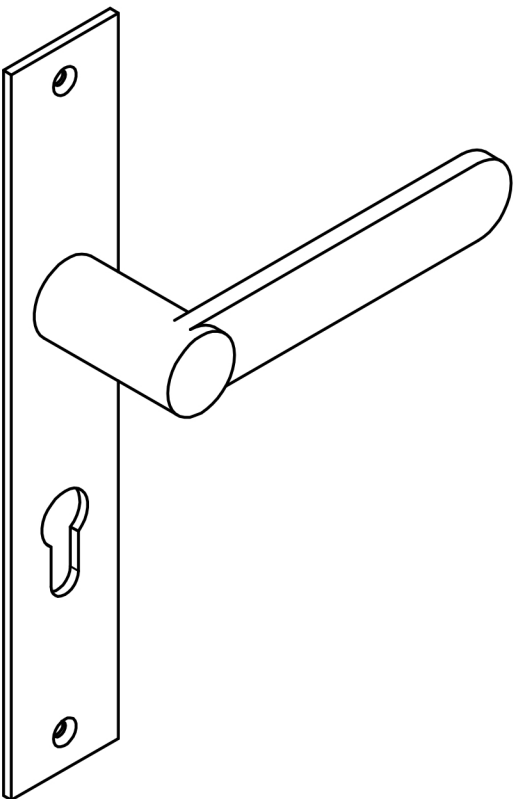
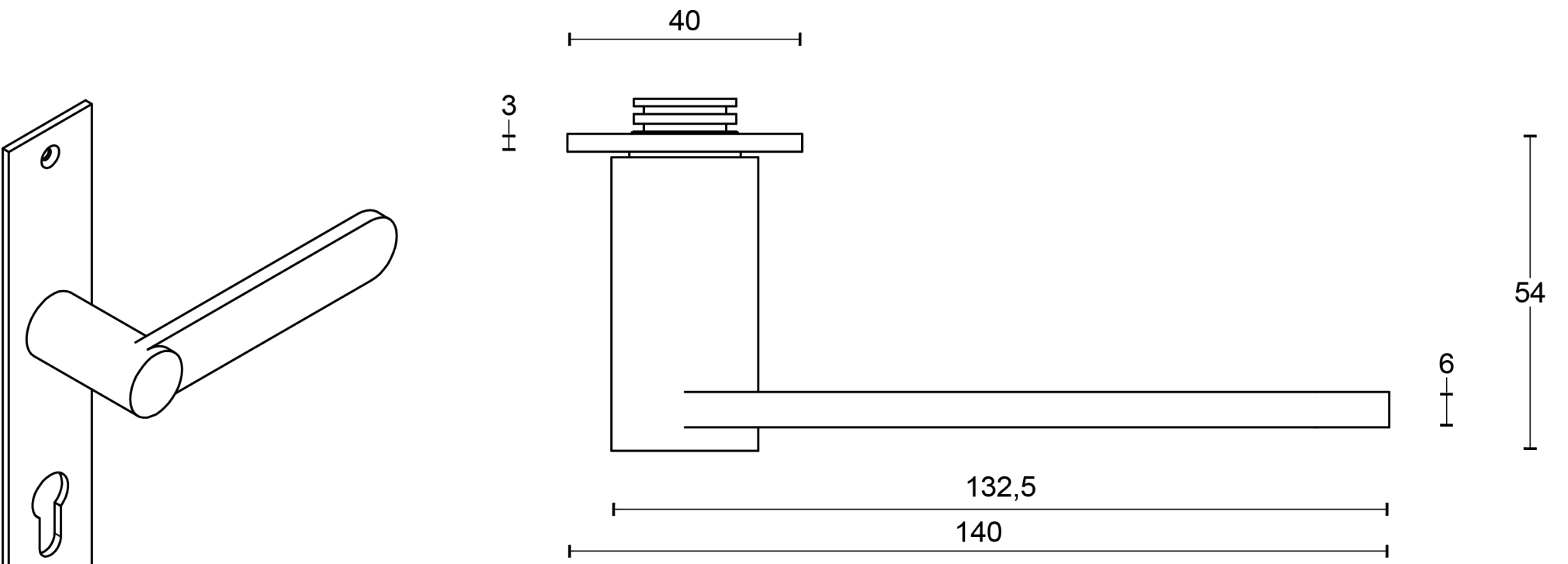
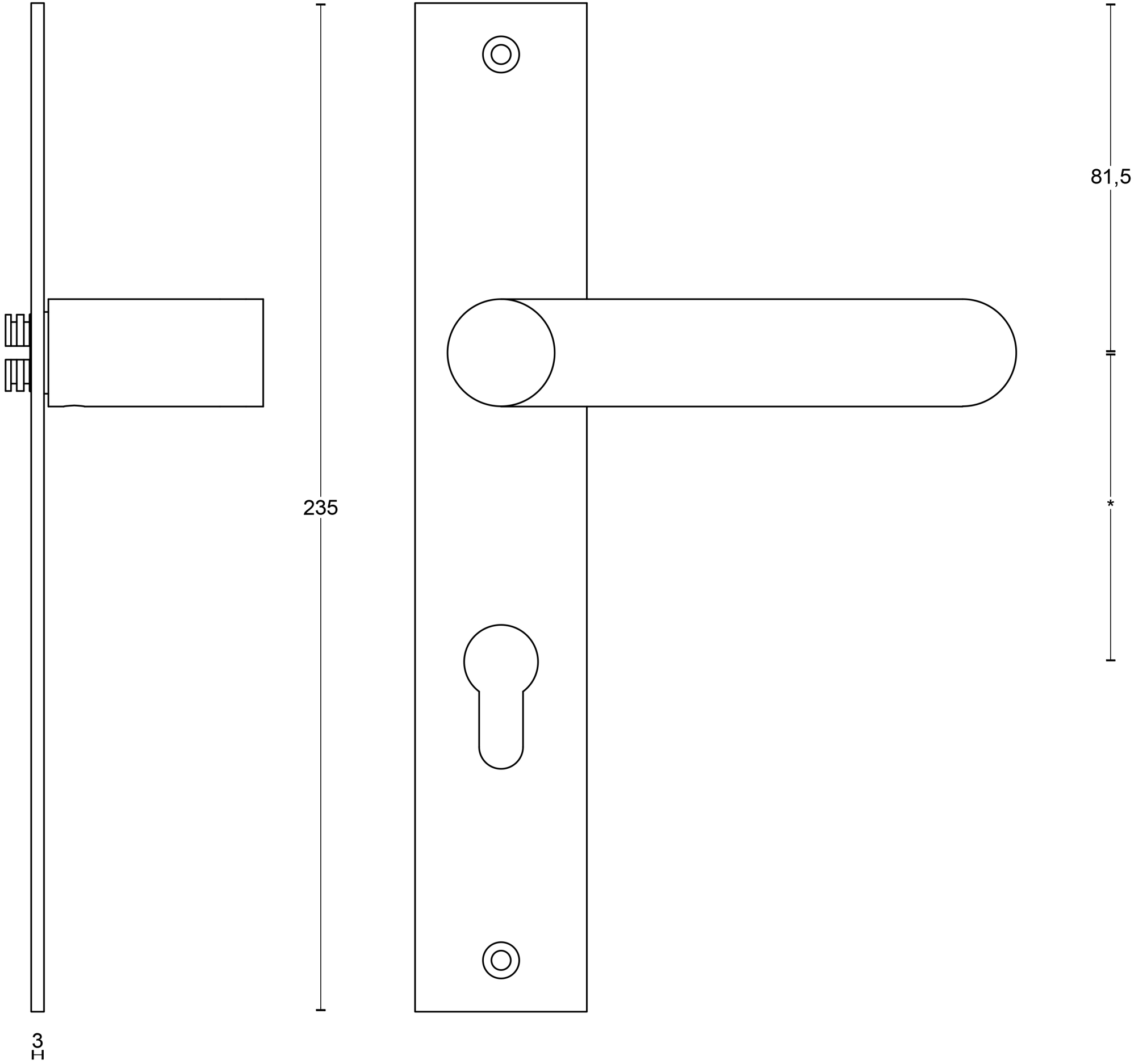
FORMANI®		Part number:	
Doc no.: 3301D004 TENSE BB103P236SFC V01.dwg		TENSE BB103P236SFC	Format:
Drawn by: Christian Brimbois	Creation date: 28-4-2016		A3
FORMANI HOLLAND B.V.		FROM TWO TEASE ARCHITECTURAL HARDWARE www.twotease.com.au info@twotease.com.au	

All information on the drawing is the property of Formani Holland B.V. and may not be copied, in any way whatsoever without obtaining the permission in writing from Formani Holland B.V.



FORMANI®		Part number:	
Doc no.: 3301D004 TENSE BB103P236WC V01.dwg	Drawn by: Christian Brimbois	TENSE BB103P236WC	Format:
Creation date: 28-4-2016			A3
FORMANI HOLLAND B.V.		FROM TWO TEASE ARCHITECTURAL HARDWARE www.twotease.com.au info@twotease.com.au	

All information on the drawing is the property of Formani Holland B.V. and may not be copied, in any way whatsoever without obtaining the permission in writing from Formani Holland B.V.



FORMANI®		Part number:	
		Description: TENSE BB103P236Y	
Doc no.: 3301D004 TENSE BB103P236Y V01.dwg	Creation date: 28-4-2016	Format: A3	
Drawn by: Christian Brimbois	Creation date: 28-4-2016	FORMANI HOLLAND B.V. FROM TWO TEASE ARCHITECTURAL HARDWARE www.twotease.com.au info@twotease.com.au	