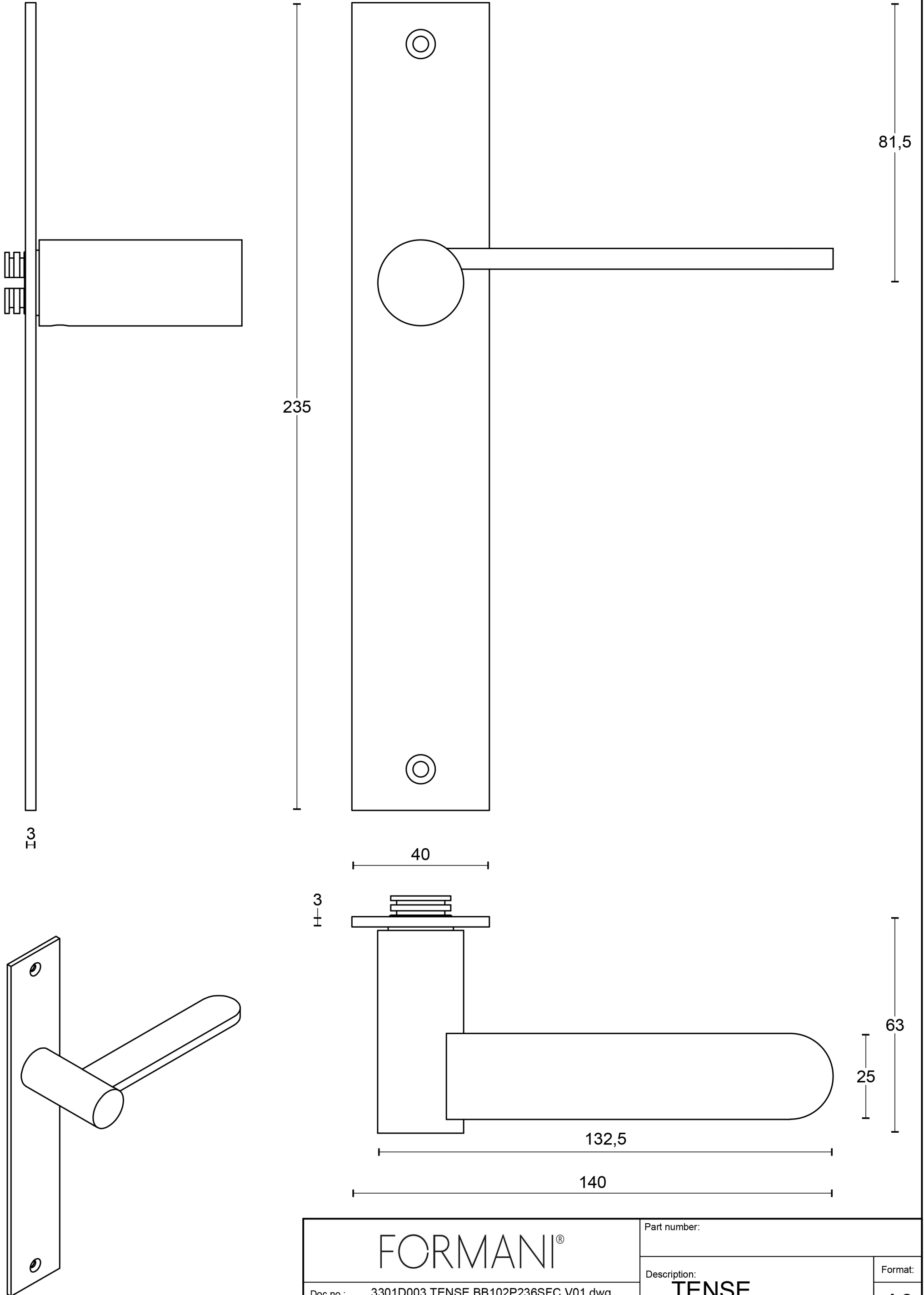
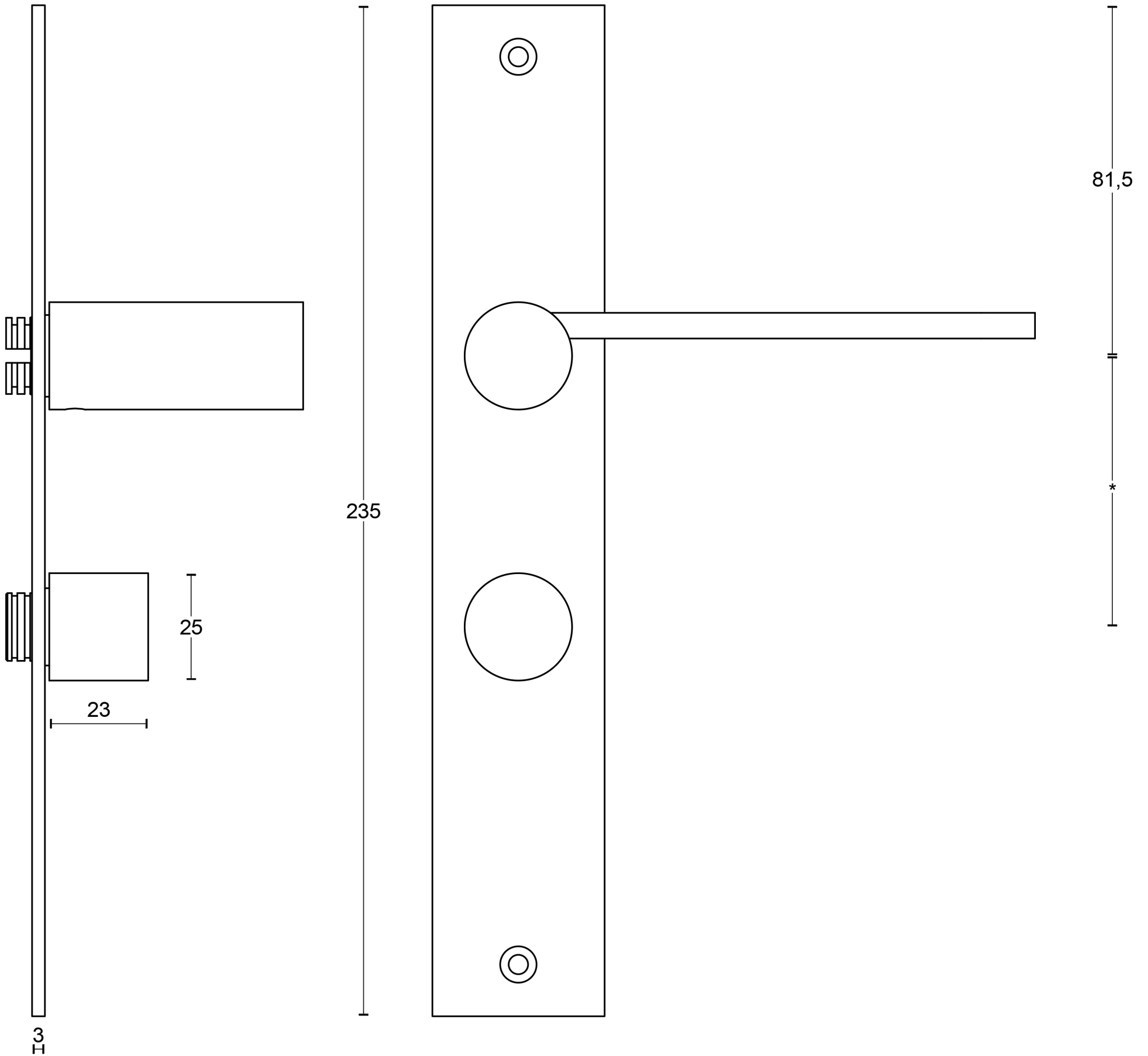


All information on the drawing is the property of Formani Holland B.V. and may not be copied, in any way whatsoever without obtaining the permission in writing from Formani Holland B.V.

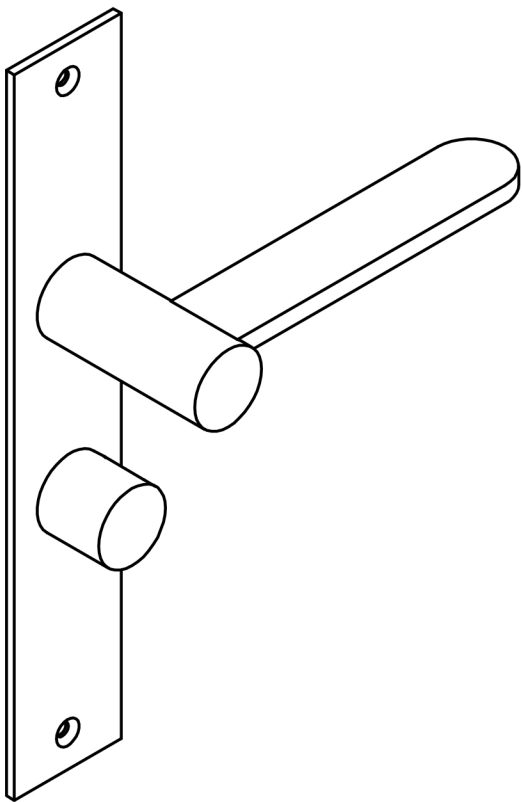


FORMANI®		Part number:	
Doc no.: 3301D003 TENSE BB102P236SFC V01.dwg		TENSE BB102P236SFC	Format:
Drawn by: Christian Brimbois	Creation date: 28-4-2016		A3
FORMANI HOLLAND B.V.		FROM TWO TEASE ARCHITECTURAL HARDWARE www.twotease.com.au info@twotease.com.au	

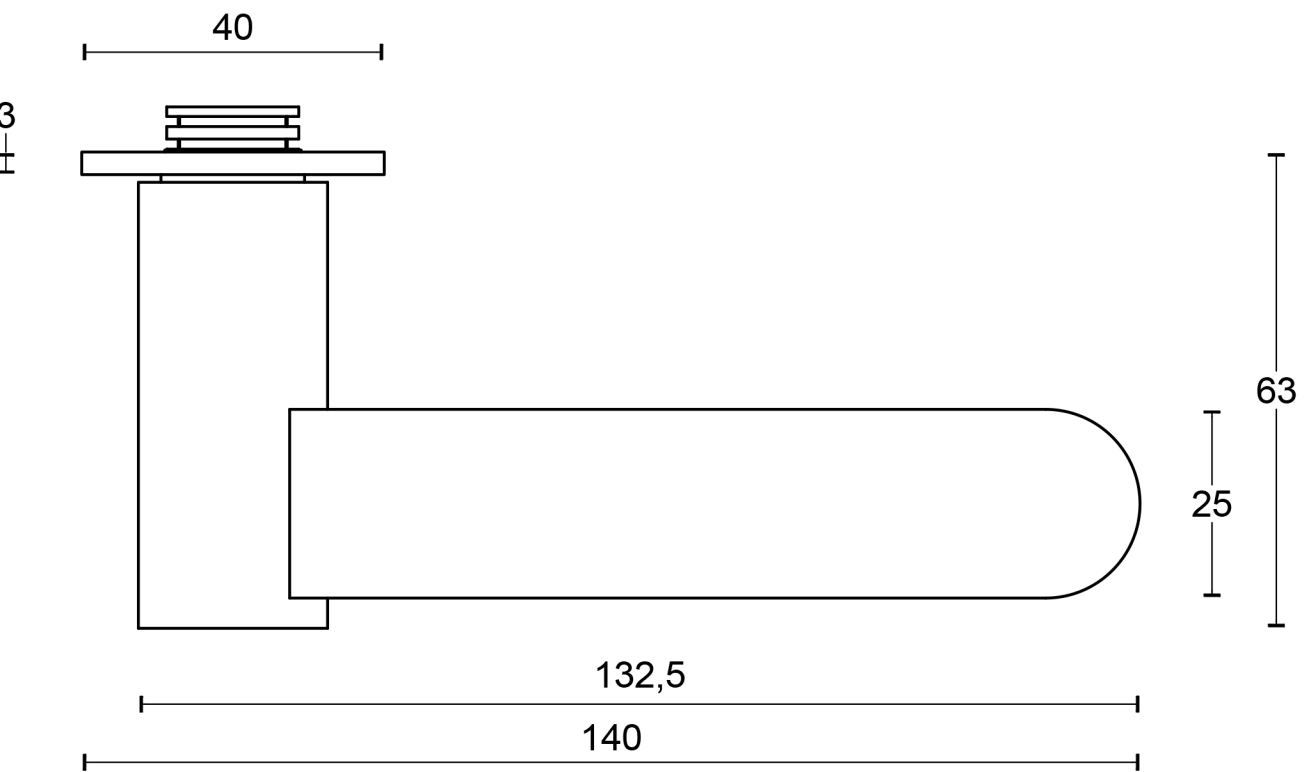
All information on the drawing is the property of Formani Holland B.V. and may not be copied, in any way whatsoever without obtaining the permission in writing from Formani Holland B.V.



1:3

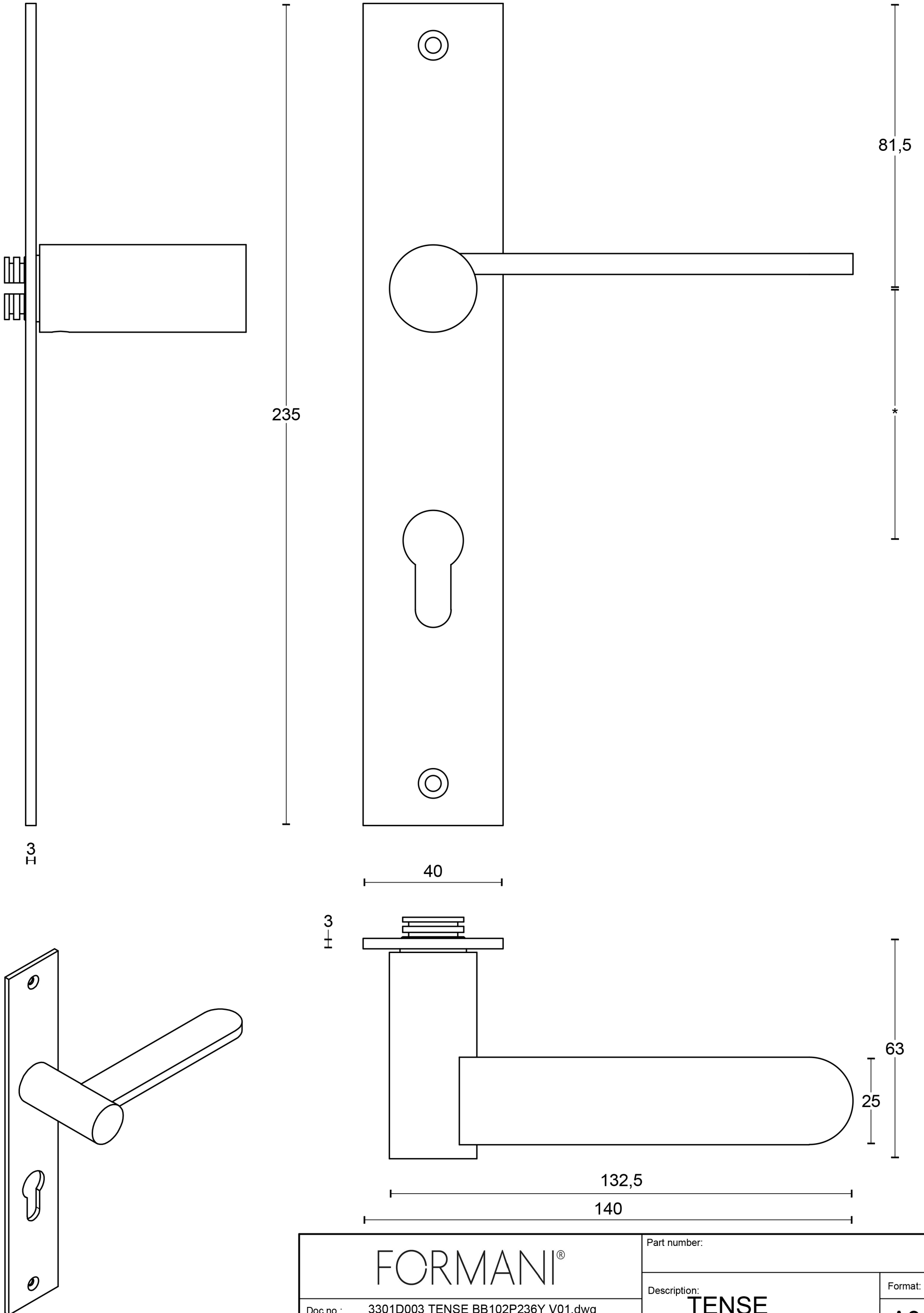


3
±



FORMANI®		Part number:	
		Description: TENSE BB102P236WC	
Doc no.: 3301D003 TENSE BB102P236WC V01.dwg	Drawn by: Christian Brimbois	Creation date: 28-4-2016	Format: A3
FORMANI HOLLAND B.V.		FROM TWO TEASE ARCHITECTURAL HARDWARE	www.twotease.com.au info@twotease.com.au

All information on the drawing is the property of Formani Holland B.V. and may not be copied, in any way whatsoever without obtaining the permission in writing from Formani Holland B.V.



FORMANI®		Part number:	
Doc no.: 3301D003 TENSE BB102P236Y V01.dwg	Drawn by: Christian Brimbois	Creation date: 28-4-2016	Format: A3
FORMANI HOLLAND B.V.		FROM TWO TEASE ARCHITECTURAL HARDWARE	
		www.twotease.com.au info@twotease.com.au	