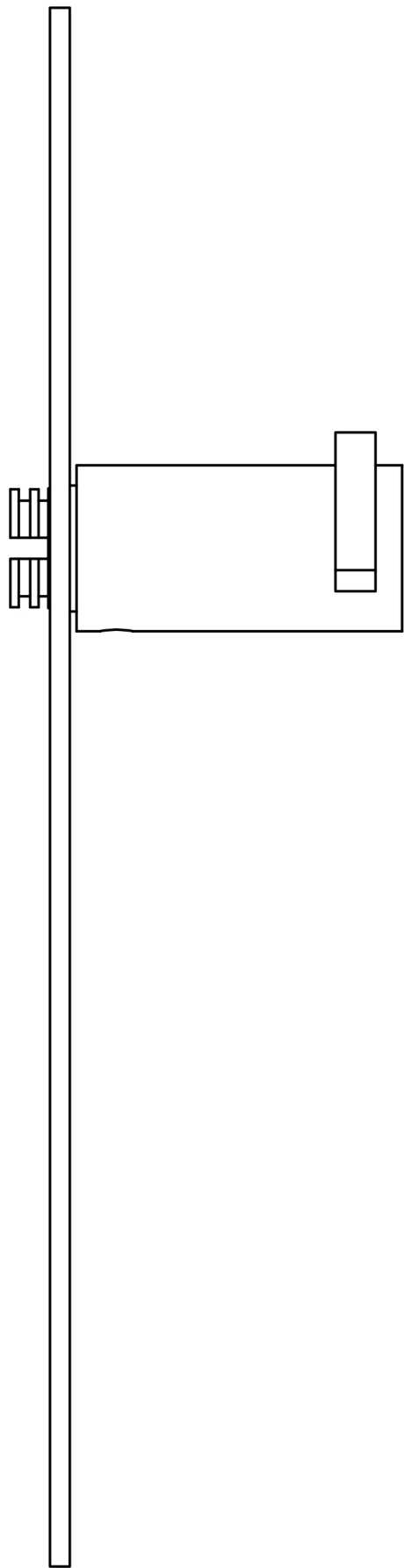
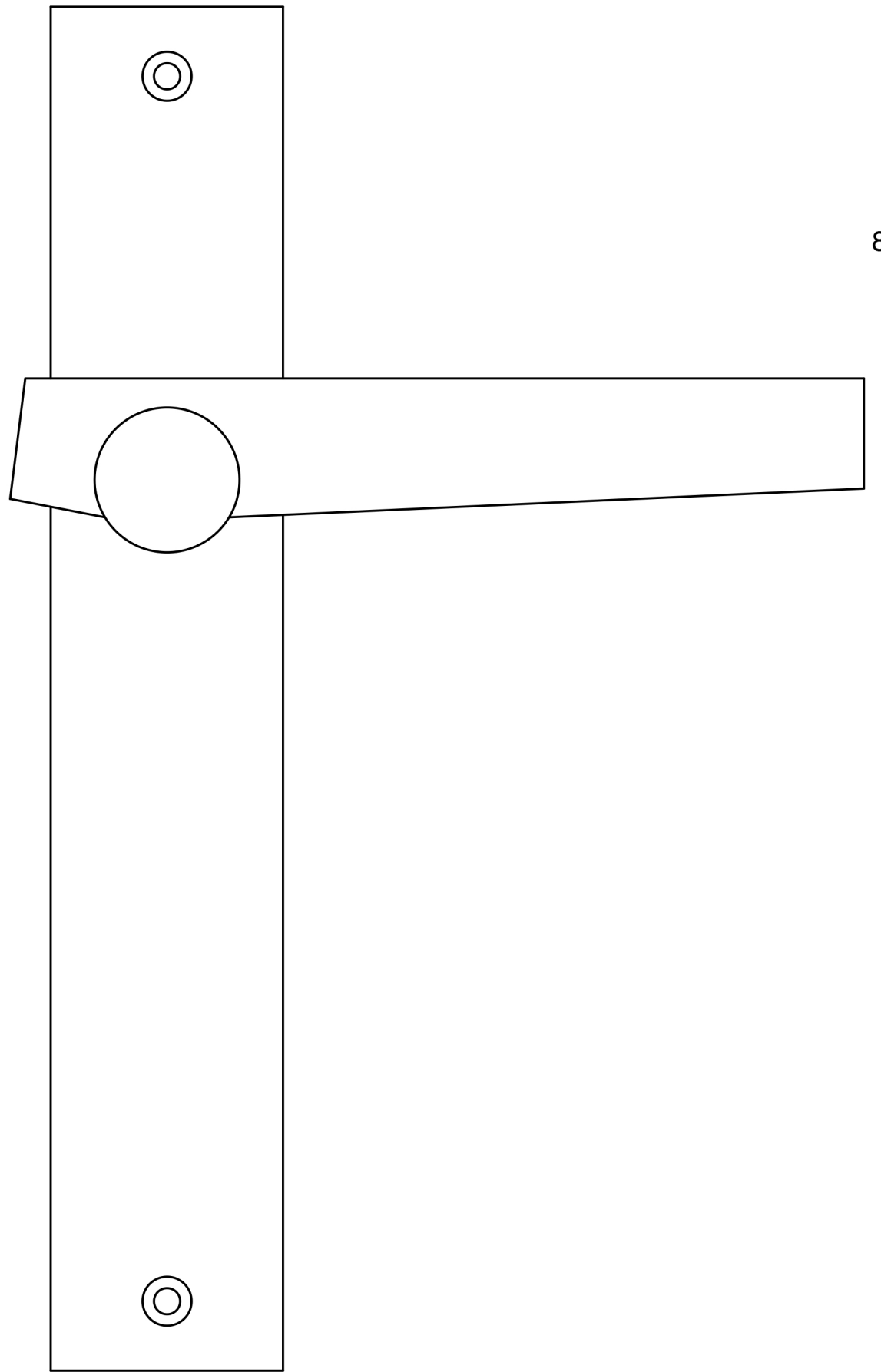


All information on the drawing is the property of Formani Holland B.V. and may not be copied, in any way whatsoever without obtaining the permission in writing from Formani Holland B.V.



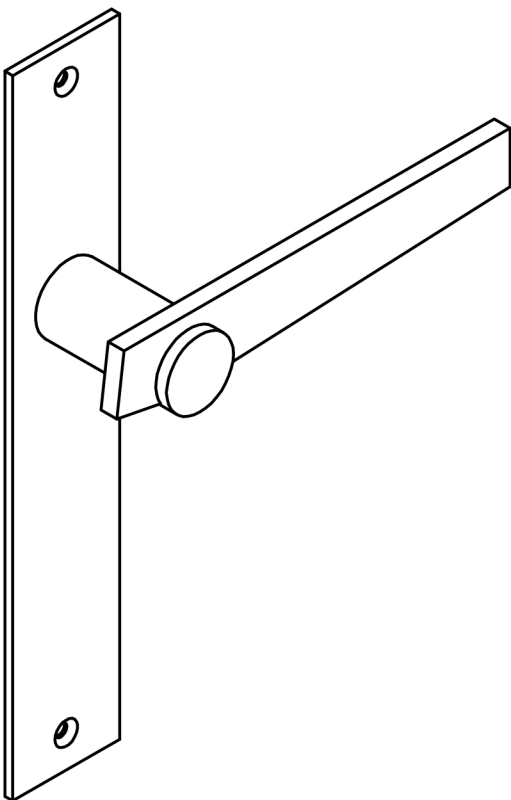
235



81,5

13

40



3

6

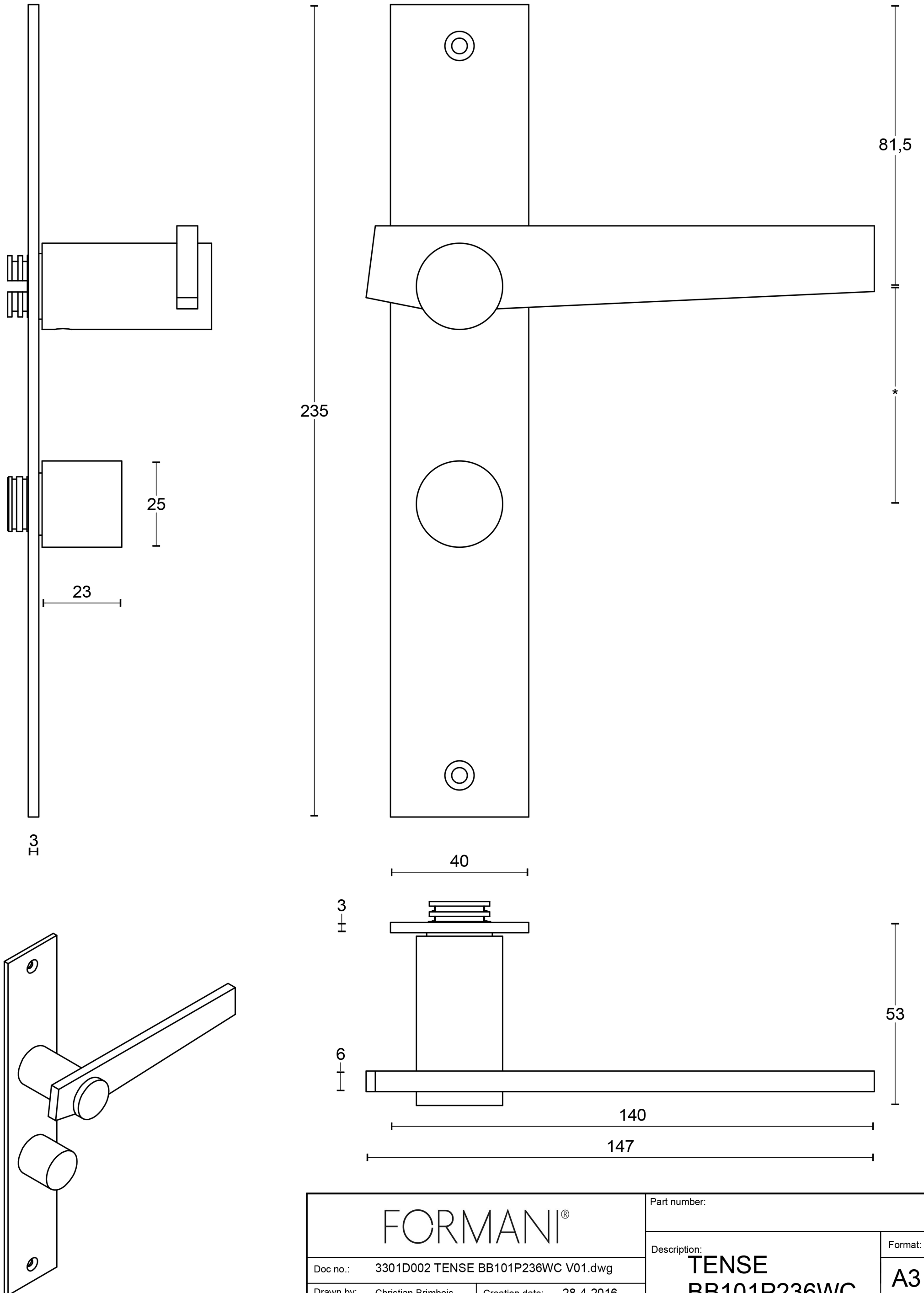
53

140

147

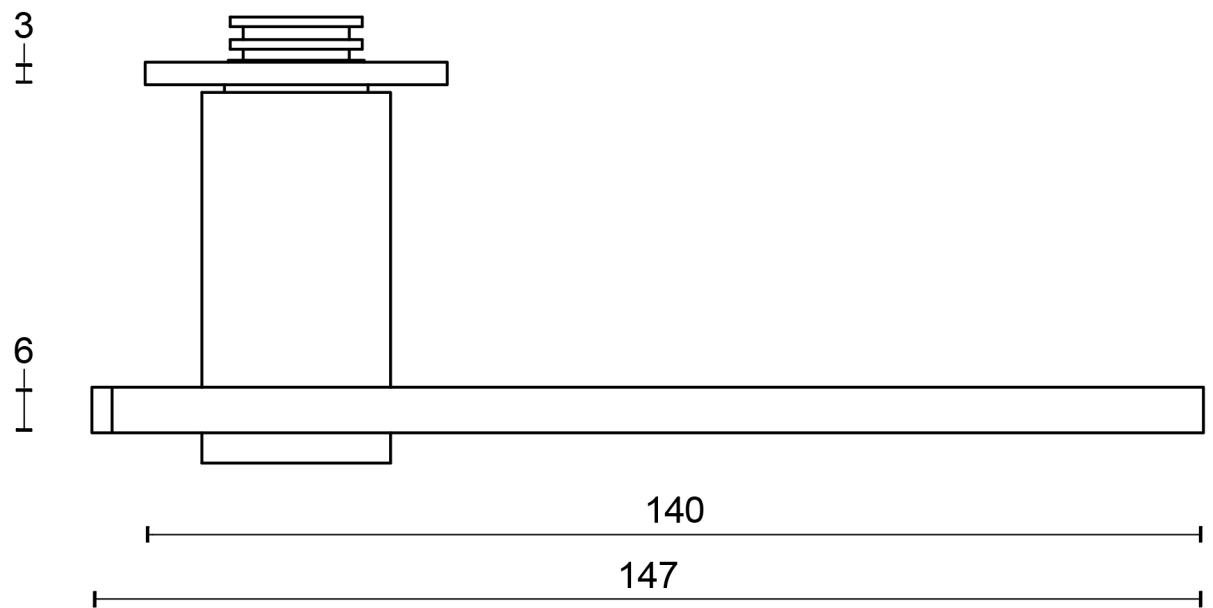
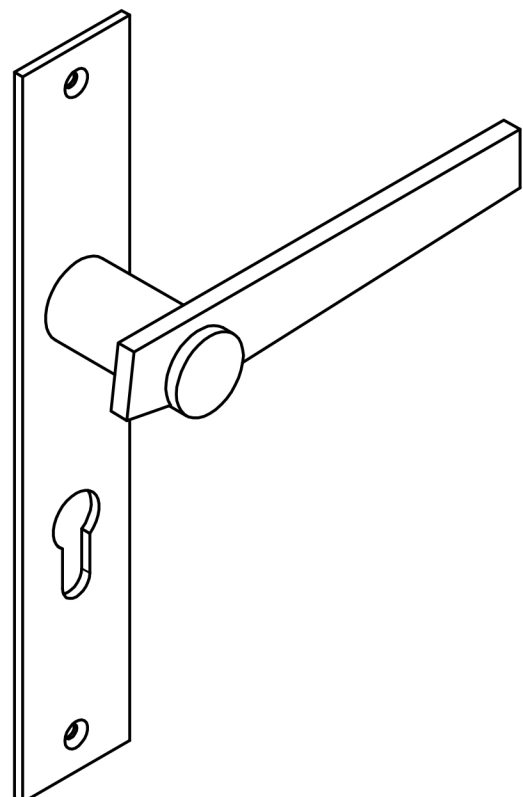
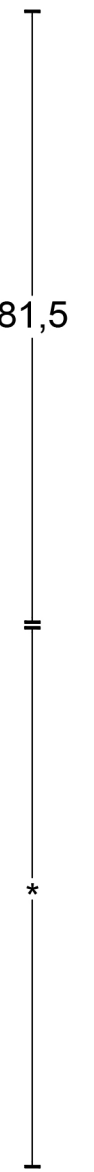
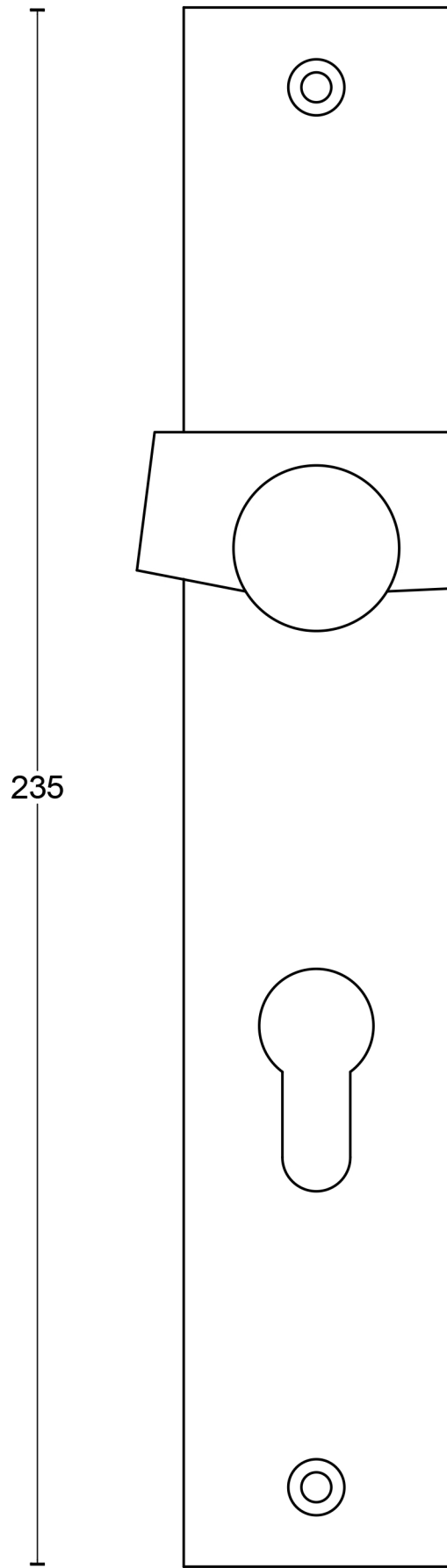
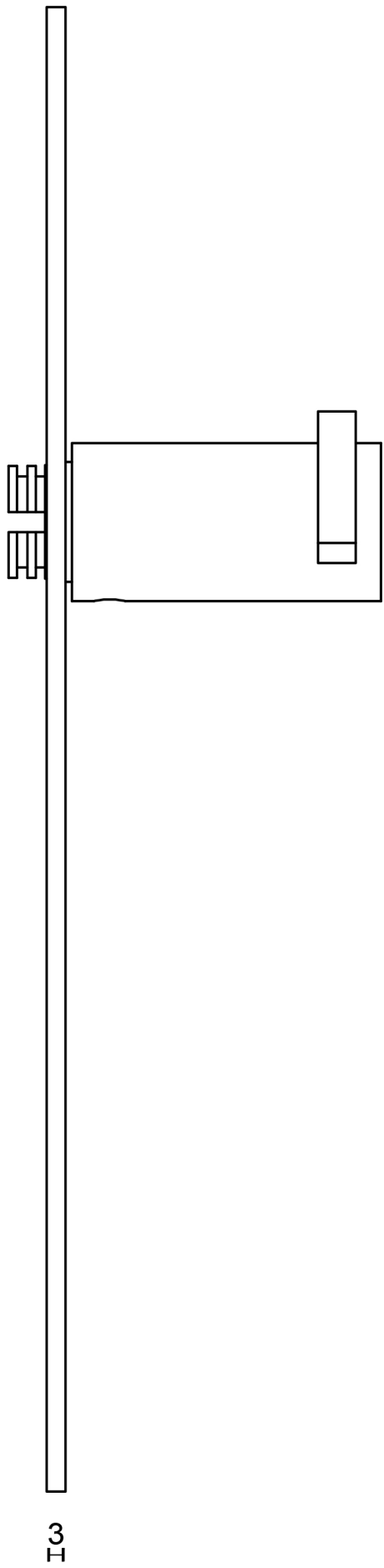
<h1>FORMANI®</h1>		Part number:	
		Description: TENSE BB101P236SFC	
Doc no.: 3301D002 TENSE BB101P236SFC V01.dwg	Drawn by: Christian Brimbois	Creation date: 28-4-2016	Format: A3
FORMANI HOLLAND B.V.		FROM TWO TEASE ARCHITECTURAL HARDWARE	www.twotease.com.au info@twotease.com.au

All information on the drawing is the property of Formani Holland B.V. and may not be copied, in any way whatsoever without obtaining the permission in writing from Formani Holland B.V.



FORMANI®		Part number:	
		Description: TENSE BB101P236WC	
Doc no.: 3301D002 TENSE BB101P236WC V01.dwg	Creation date: 28-4-2016	Format: A3	
Drawn by: Christian Brimbois	Creation date: 28-4-2016	FORMANI HOLLAND B.V. FROM TWO TEASE ARCHITECTURAL HARDWARE www.twotease.com.au info@twotease.com.au	

All information on the drawing is the property of Formani Holland B.V. and may not be copied, in any way whatsoever without obtaining the permission in writing from Formani Holland B.V.



<h2>FORMANI®</h2>		Part number:	
		Description:	
Doc no.: 3301D002 TENSE BB101P236Y V01.dwg		<h3>TENSE</h3> <h3>BB101P236Y</h3>	Format:
Drawn by: Christian Brimbois	Creation date: 28-4-2016		<h2>A3</h2>
FORMANI HOLLAND B.V.		FROM TWO TEASE ARCHITECTURAL HARDWARE	
		www.twotease.com.au info@twotease.com.au	