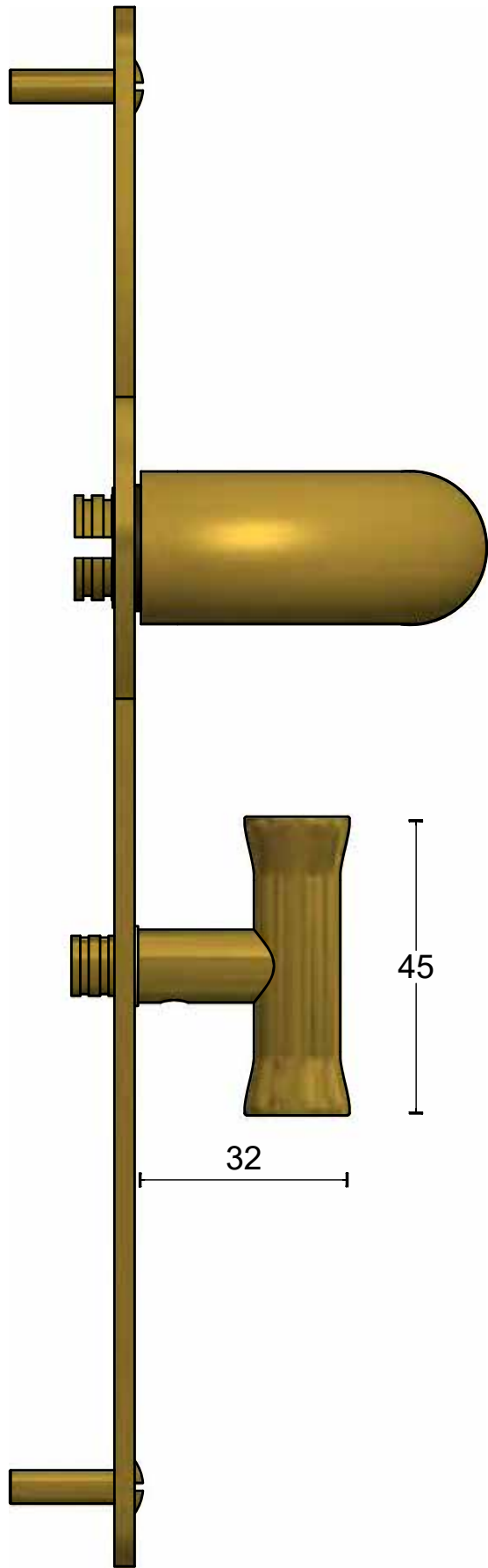


FORMANI®		Part number:	
Doc no.: 3101D001IPXX0F EV100P210SFC IP V02.dwg		Description:	
Drawn by: Christian Brimbois	Creation date: 25-2-2014	EV100P210SFC IP	
Formani Holland B.V. Formani FROM TWO TEASE ARCHITECTURAL HARDWARE		www.twotease.com.au info@twotease.com.au	
			Format: A3

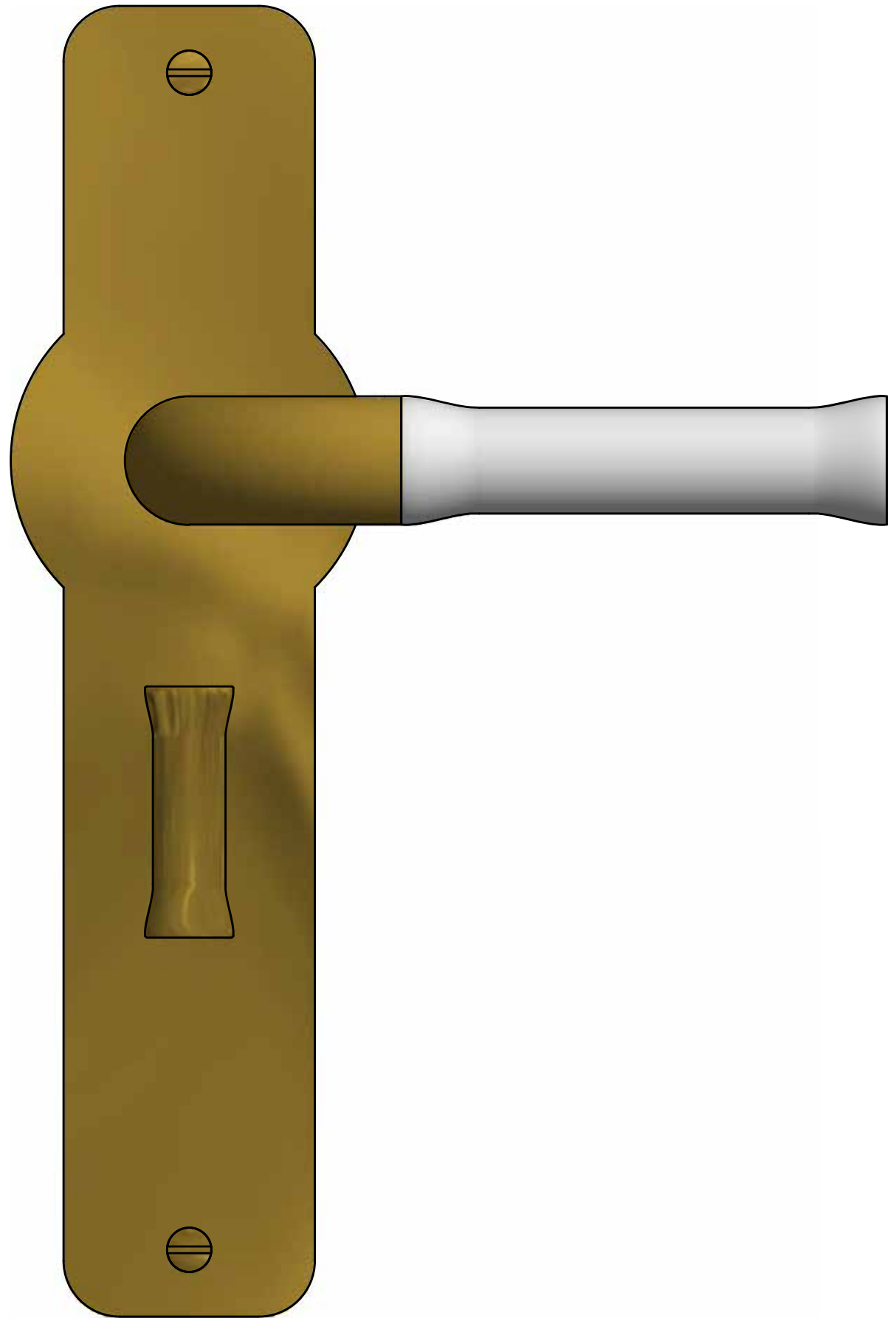


I3

32

45

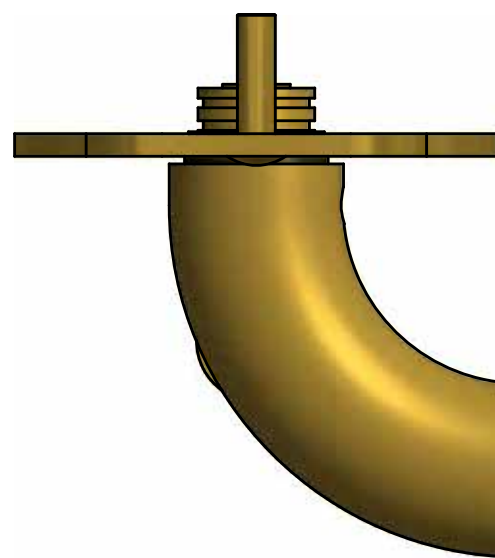
235



81,5

45

64



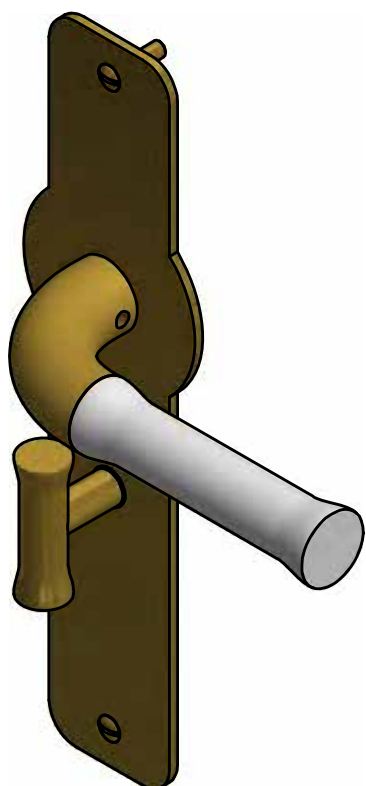
56

136,5

19

23

157



FORMANI®

Part number:

Description:

Format:

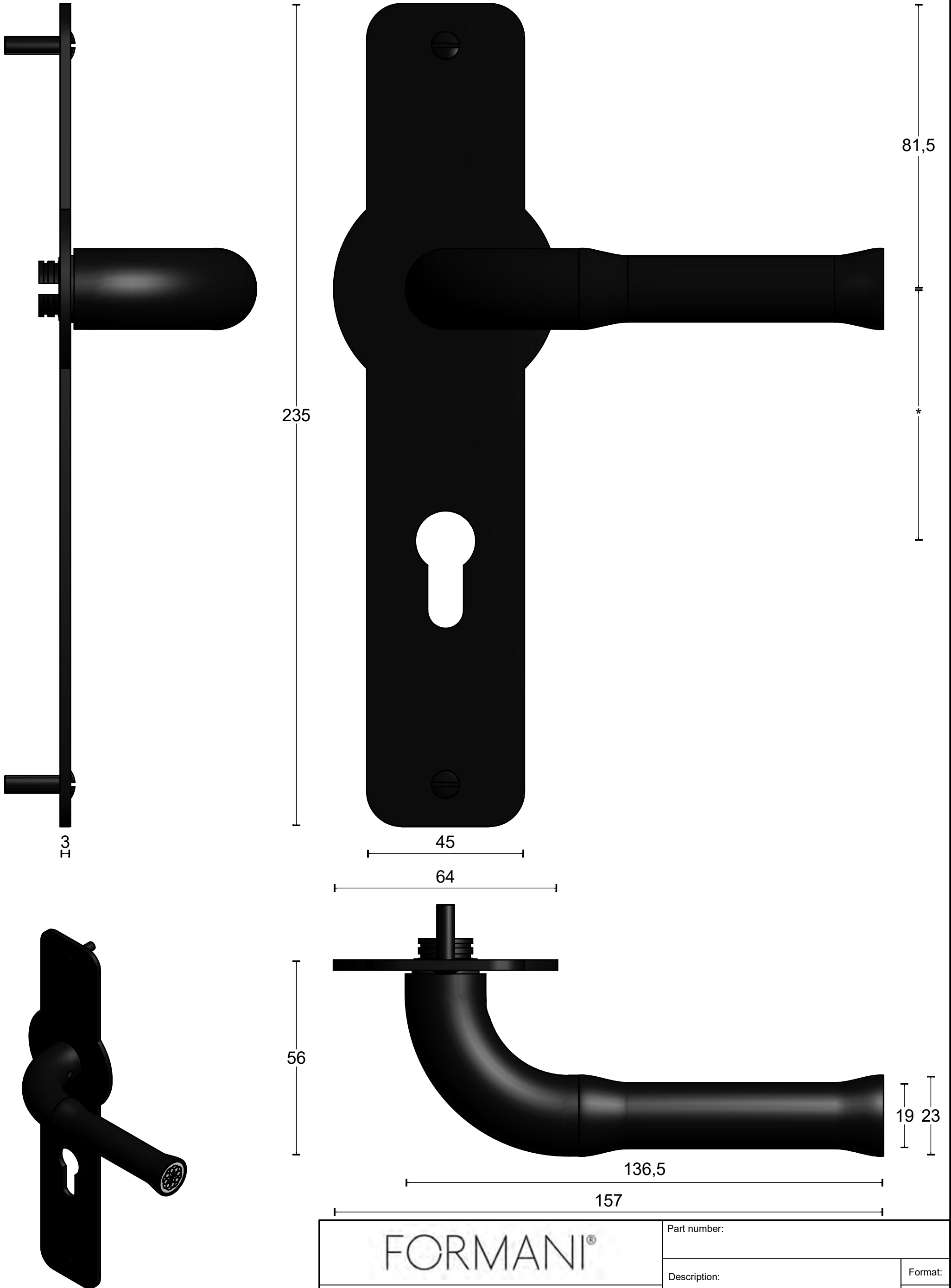
Doc no.: 3101D001IMBM0W EV100P210WC IMBM V02.dwg

EV100P210WC** IMBM

A3

Drawn by: Christian Brimbois

Creation date: 18-2-2014



<h1>FORMANI®</h1>		Part number:	
		Description:	
Doc no.: 3101D001NMXX0Y EV100P210Y NM V02.dwg		EV100P210Y** NM	
Drawn by: Christian Brimbois	Creation date: 18-2-2014	Format:	
Formani Holland B.V. · Amerikalaan 55 · 6199 AE Maastricht Airport · tel: +31 (0)43 308 90 00 · www.formani.nl · info@formani.nl		A3	