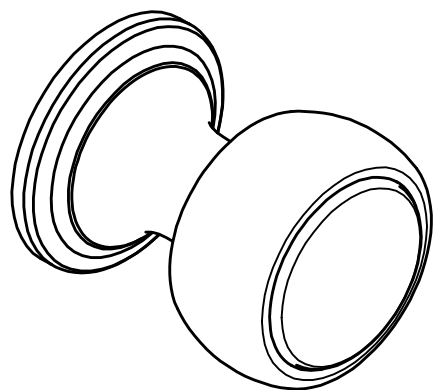
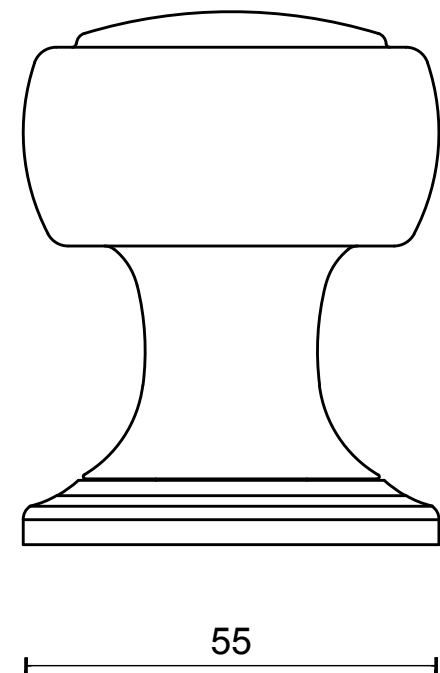
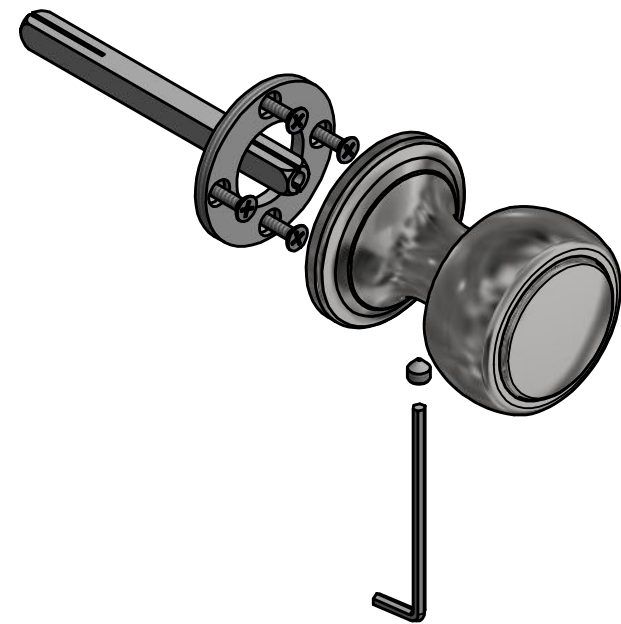
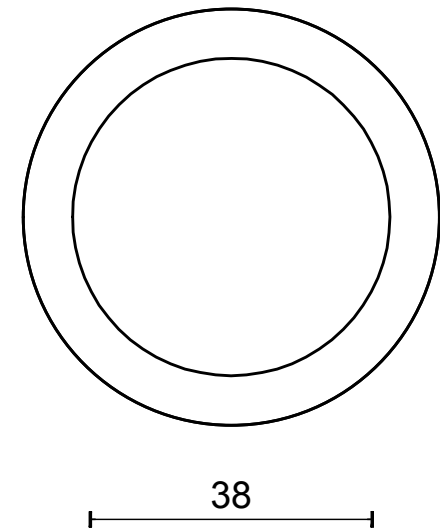
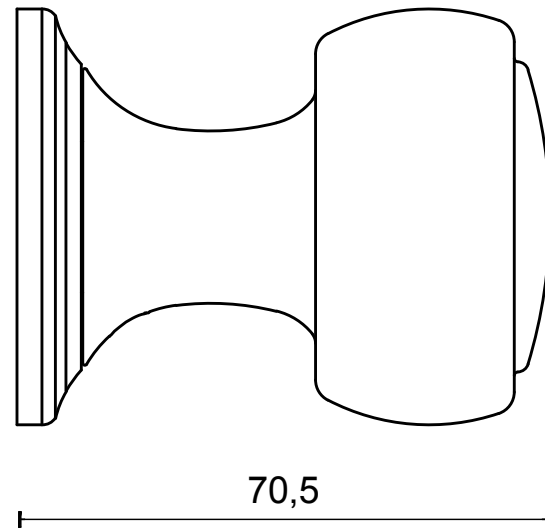


LZ200D

solid unsprung knob to
operate on rose
with metal sub-rose

stainless steel or brass



T | TWO TEASE
ARCHITECTURAL HARDWARE

FORMANI®		Part number:	
Doc no.: 3402K001 4 LZ200D V01.dwg	Drawn by: Christian Brimbois	LZ200D	Format:
Creation date: 14-3-2017			A3
FORMANI HOLLAND B.V.		Formani FROM TWO TEASE ARCHITECTURAL HARDWARE www.twotease.com.au info@twotease.com.au	