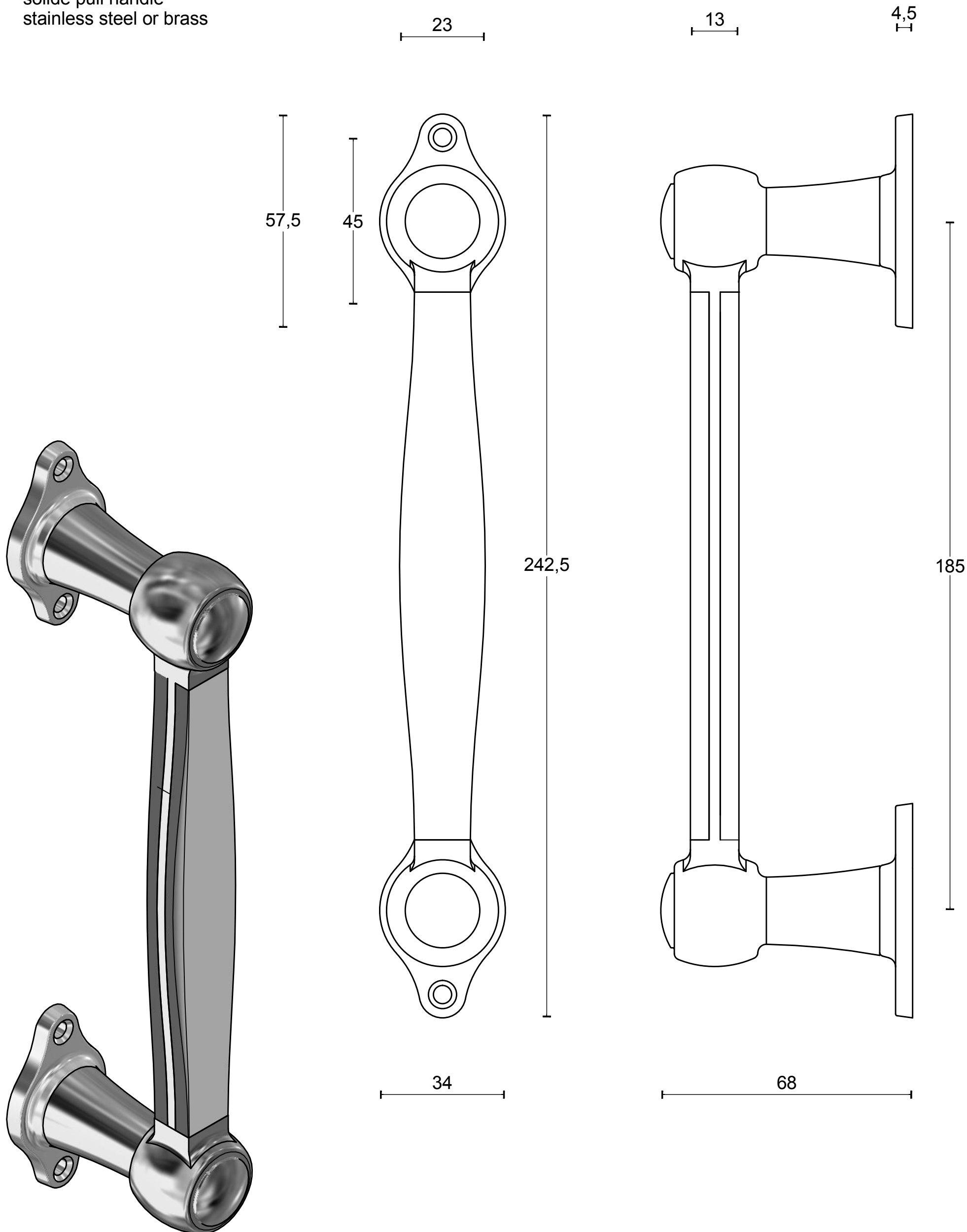


# LZ185MA

solide pull handle  
stainless steel or brass



<b>FORMANI®</b>		Part number:	
Doc no.: 3401G001 LZ185MA V01.dwg	Drawn by: Christian Brimbois	Creation date: 8-3-2017	Format: A3
FORMANI HOLLAND B.V.		Formani FROMTWO TEASE ARCHITECTURAL HARDWARE	www.twotease.com.au info@twotease.com.au

**LZ185MA**