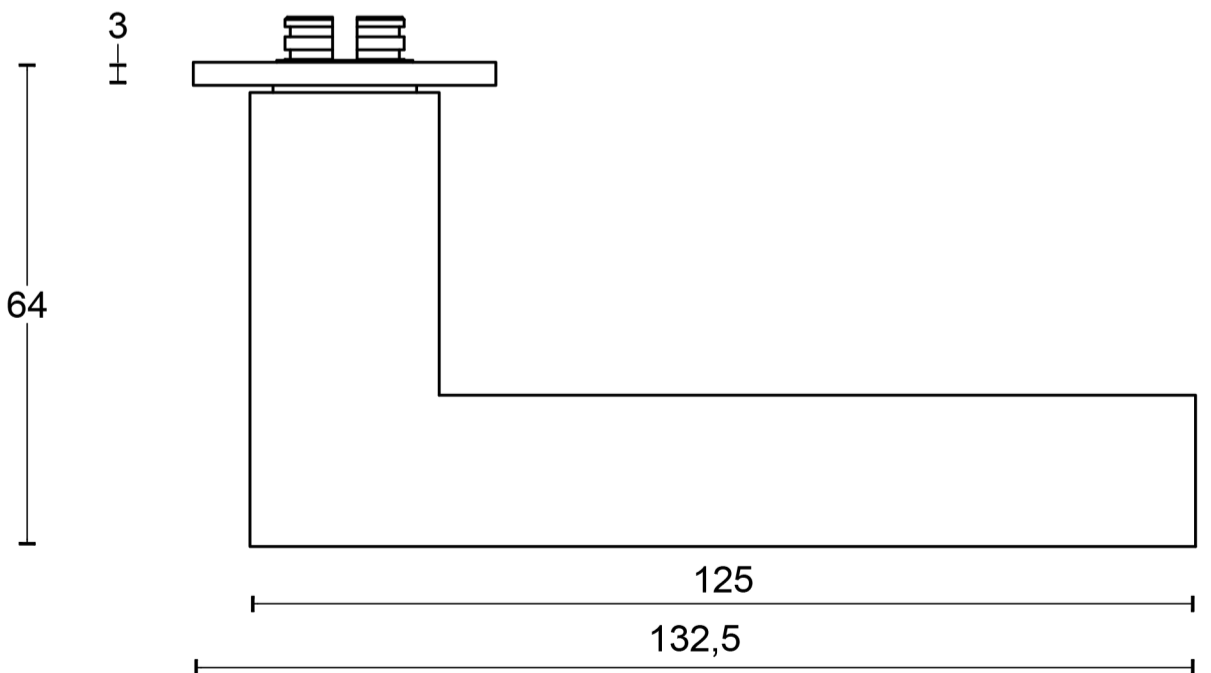
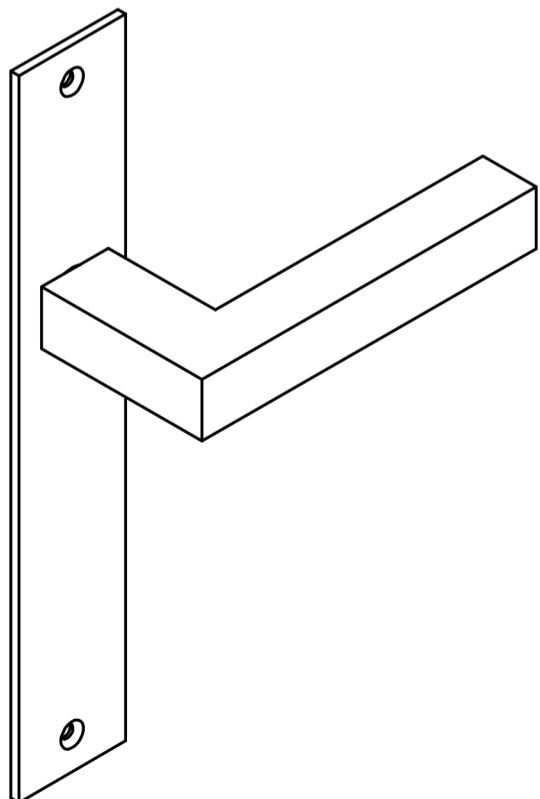
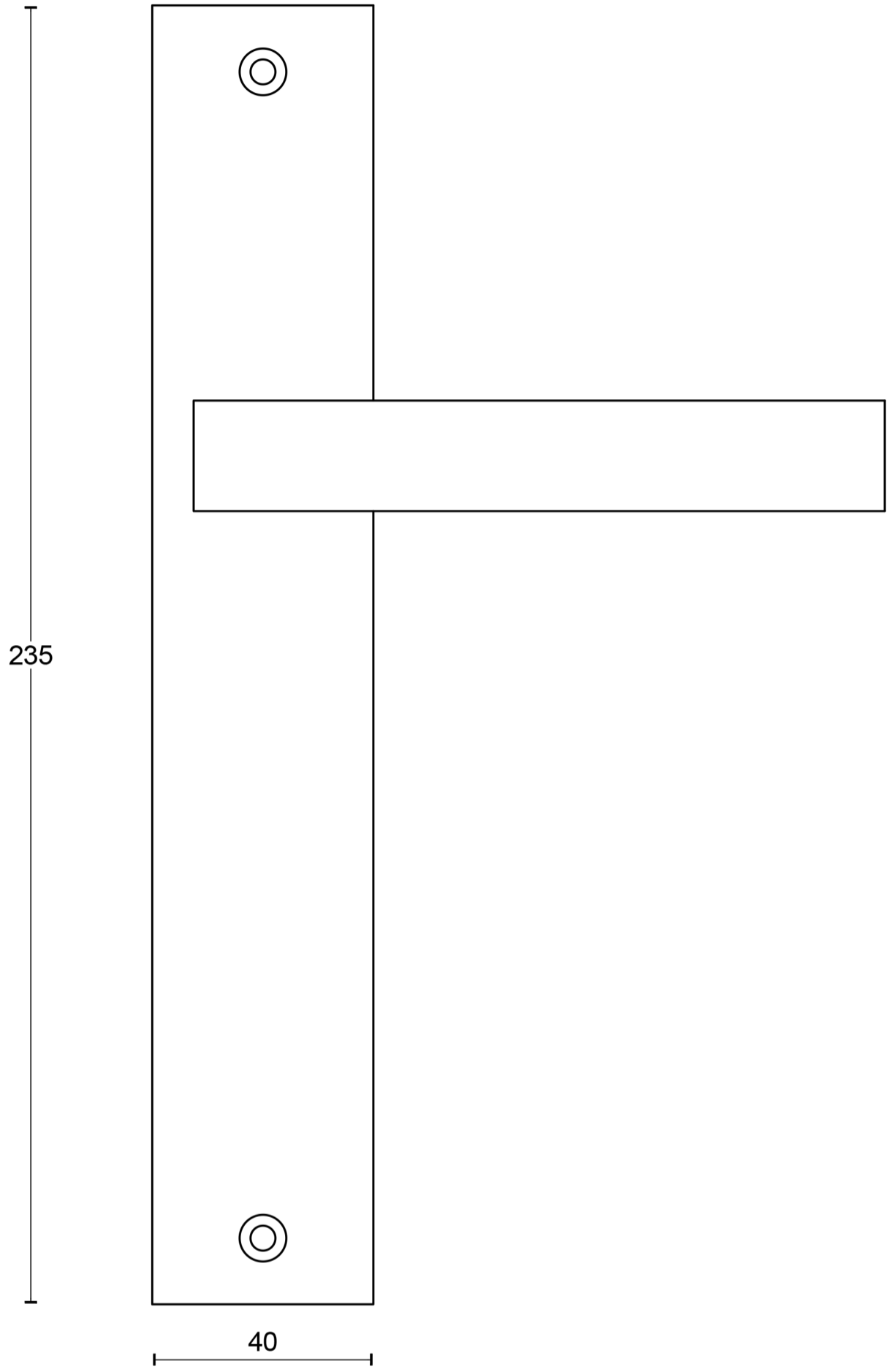
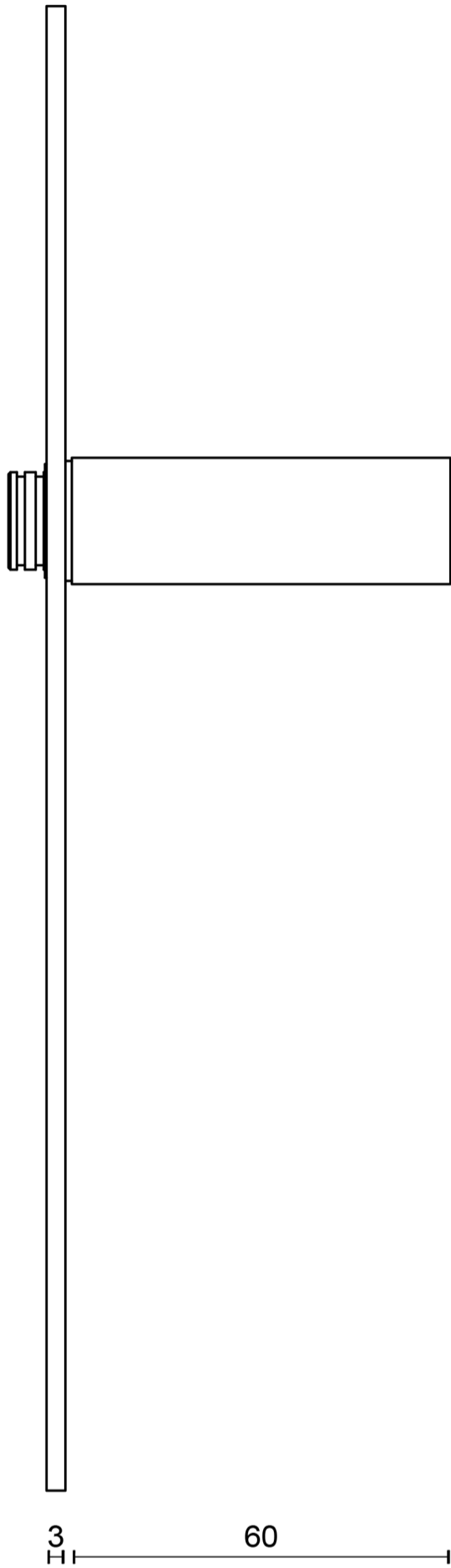


All information on the drawing is the property of Formani Holland B.V. and may not be copied, in any way whatsoever without obtaining the permission in writing from Formani Holland B.V.



<h1>FORMANI®</h1>		Part number: 2501D003 LSQIIP236SFC V01	
		Description: LSQIIP236SFC	
Doc no.:	2501D003 LSQIIP236SFC V01.dwg	Format: A3	
Drawn by:	Christian	Creation date:	12-11-2011
Formani Holland B.V. · Formani FROM TWO TEASE ARCHITECTURAL HARDWARE www.twotease.com.au info@twotease.com.au			